

Please read these instructions completely before proceeding with the installation.

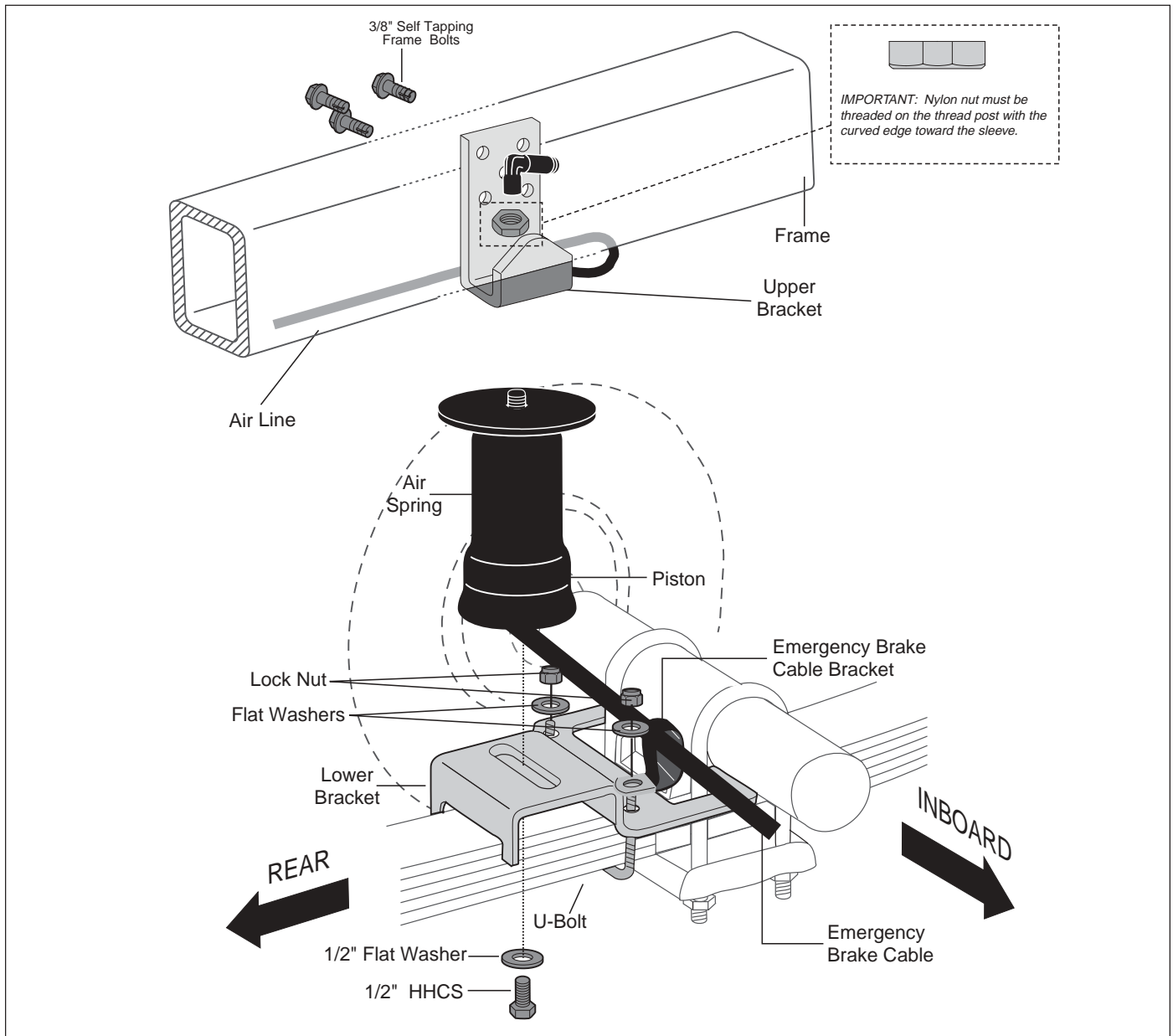


Figure 1

CAUTION: Failure to maintain correct minimum pressure (or pressure proportional to the load), bottoming out, over-extension, or rubbing against another component will void the warranty. Normal ride height, regardless of load, must always be maintained.

CAUTION: Do not inflate assembly when it is unrestricted. Assembly must be restricted by suspension or other adequate structure. Do not inflate beyond 100 p.s.i. Improper use or over inflation may cause assembly to burst causing property damage or severe personal injury.

IMPORTANT: Your vehicle may be equipped with a rear brake proportioning valve. Any type of load assist product could affect brake performance. If equipped with a brake proportioning valve, we recommend that you check with your dealer before installing this type of product. If your vehicle does not have a rear brake proportioning valve or is equipped with an anti-lock type brake system, installation of a load assist product will have no effect on brake system performance.

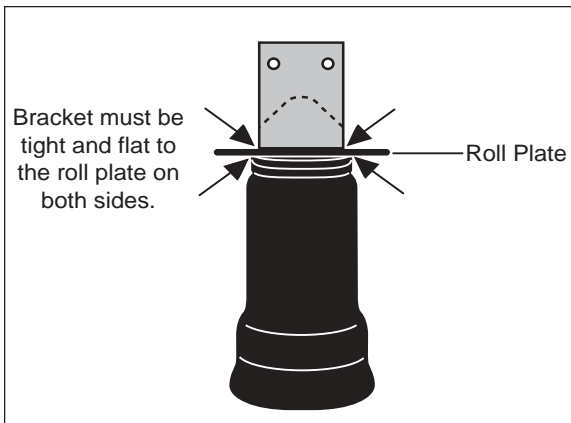


Figure 2

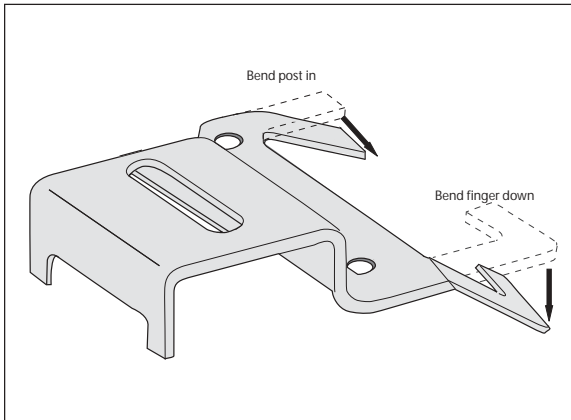


Figure 3

I. Assembling the Kit

1. Install the swivel air fitting and tighten finger tight plus two turns into the air spring.

NOTE: Use a 7/16" open end wrench tightening on the metal hex nut only. Do not overtighten.

2. Insert the attached air fitting through the bottom of the J-bracket. Position the air fitting towards the rear of the vehicle for proper air line routing (Figure 1).
3. Slide the provided nylon nut over the air fitting and onto the threaded post. Make sure the curved side of the nut points toward the air spring (Figure 1).
4. Tighten the nylon nut hand-tight (4 ft/lbs) to secure the bracket.

NOTE: The nylon nut must be threaded on the thread post with the curved edge facing toward the sleeve (Figure 1).

5. Loosely attach the lower bracket to the bottom of the sleeve using a 1/2" bolt and 1/2" flat washer (Figure 1).

II. Installing Assemblies onto the Leaf Spring

1. Jack up the rear of the vehicle or raise on a hoist and remove the tires.
2. Raise or lower the frame to its original ride height when in an unloaded condition.
3. Set the assembly onto the leaf spring behind the axle. Butt the bracket against the spring perch. Make sure the "hook" or "finger" of the bracket is forward of the U-bolt (Figure 1).
4. Install the emergency brake cable clamp onto the emergency brake cable as shown in Figure 1. Secure the lower bracket to the leaf springs by using the provided U-bolts, flat washers, and locknuts.

NOTE: The emergency brake cable clamps will attach to the inside post of the U-bolt (Figure 1).

Torque to 16 ft/lbs.

NOTE: On most models, the "hook" or "finger" may not hook around the U-bolt. In this case, bend the post of the U-bolt into the spring and bend the finger down so it locks around the U-bolt (Figure 3). This will prevent the lower bracket from moving on the leaf spring.

III. Installing the Upper Bracket

1. On the driver-side, you will have to remove a plastic plug (Figure 4) from the frame in order to attach the upper bracket.
2. To install the upper bracket, the upper bracket must be in line with the lower bracket and on the same angle as the leaf spring. The upper bracket must be parallel and perpendicular to the lower bracket (Figure 5). The upper bracket is designed so that it can be "tilted" for the proper angle (Figure 6). The bottom of the upper bracket must fit tight to the bottom of the frame rail (Figure 7).

2. Mount the bracket to the frame using at least three of the five pre-drilled mounting holes on the upper bracket. Any combination of three is permissible.

- a. Use the bracket as a template to centerpunch and drill three $\frac{5}{16}$ " holes. The holes must be no larger than $\frac{5}{16}$ ".

CAUTION: Do not drill holes into the frame until any and all hydraulic, fuel, or electrical lines in the area to be drilled have been moved or shielded.

- b. Attach the upper bracket using the self-tapping frame bolts and tighten to 15 ft/lbs (Figure 1). Do not over tighten.

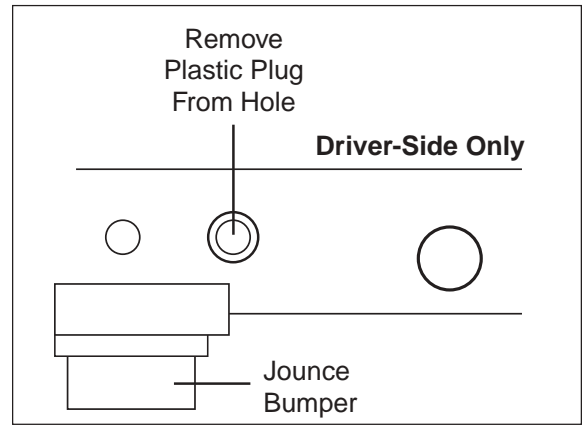


Figure 4

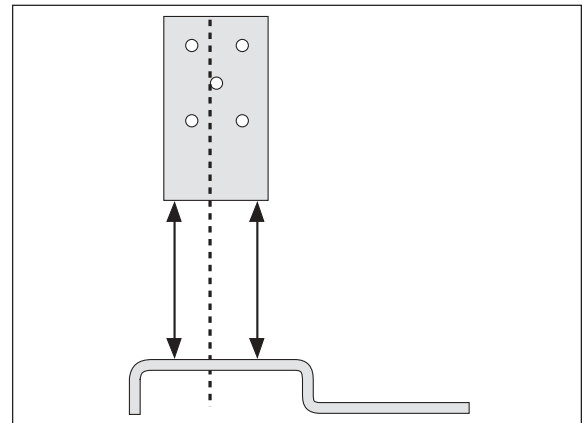


Figure 5

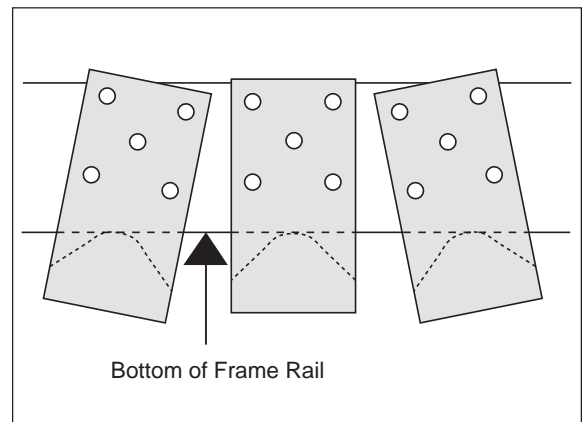


Figure 6

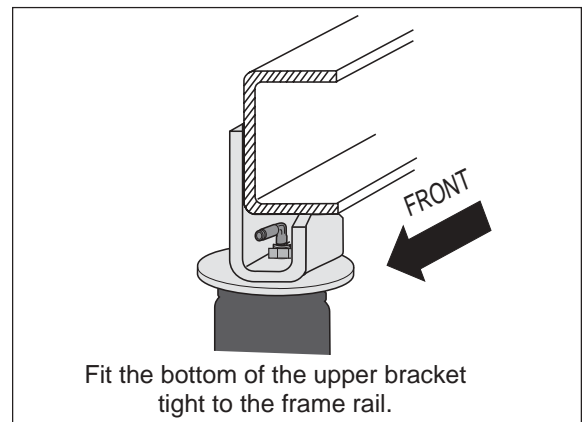


Figure 7

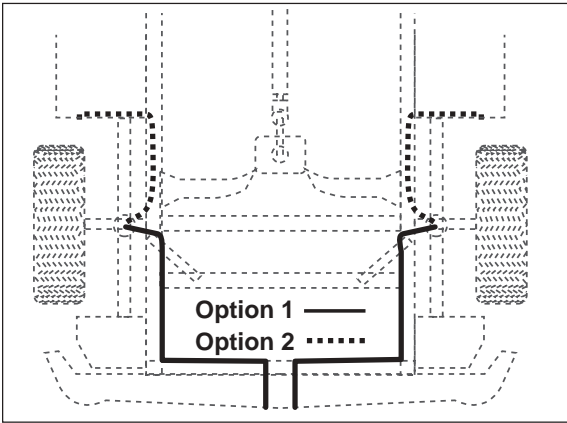


Figure 8

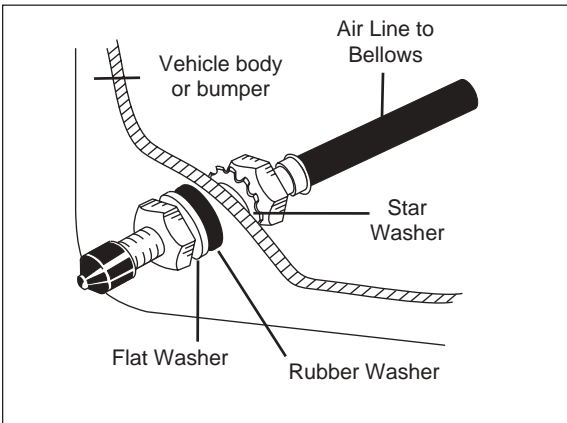


Figure 9

IV. Installing the Air Lines

1. Select a location for the inflation valves in the rear bumper area or rocker panel flange ensuring that each valve will be protected and accessible with an air hose (Figure 8).
 - a. Drill $\frac{5}{16}$ " hole for inflation valve and mount as illustrated.
 - b. Install the rubber washer on the outside. It is for weather seal (Figure 9).

2. Route air line along frame from inflation valve location to the air fitting (Figure 8). Attach air line to chassis with the provided plastic straps.

CAUTION: To prevent the air line from melting, keep it at least 12" from the exhaust system.

3. Use a standard tube cutter, a razor blade, or very sharp knife to cut the air line. A clean square cut will ensure against leaks. Cut off excess air line squarely.
4. Install the air line into the fitting. Push and slightly turn the cut end of the air line into the fitting as far as it will go (approximately $\frac{9}{16}$ "). A definite "click" can be heard and/or felt when the air line is seated. The air line is now installed.
5. Repeat steps II-IV for the other side.

V. Finishing the Installation

1. **VERY IMPORTANT:** With the bottom of the air spring still loose, inflate the air spring to approximately 10 p.s.i. By using the slot in the lower bracket for adjustment, center the sleeve so that it is in line with the upper and lower bracket and that there is a symmetrical cushion of air around the lower base of the sleeve to prevent side load wear (Figure 10). This can be accomplished by pressing all around the air spring and tapping it inboard or outboard for proper alignment. Air spring diameter grows to 5.1" at maximum inflation. Check to be sure there is clearance all around the air spring when fully inflated.
2. Tighten the lower mounting bolt to 10 ft/lbs. Do not over tighten.
3. Inflate to 30 p.s.i. Check all fittings and valve core for leaks with a liquid solution of $\frac{1}{5}$ dish soap to $\frac{4}{5}$ water mixed in a spray bottle. Recheck air pressure after 24 hours. A 2–4 p.s.i. loss after initial installation is normal. If pressure has dropped more than 5 lbs retest for leaks with soapy water solution. Please read and follow the Maintenance and Operations sections.

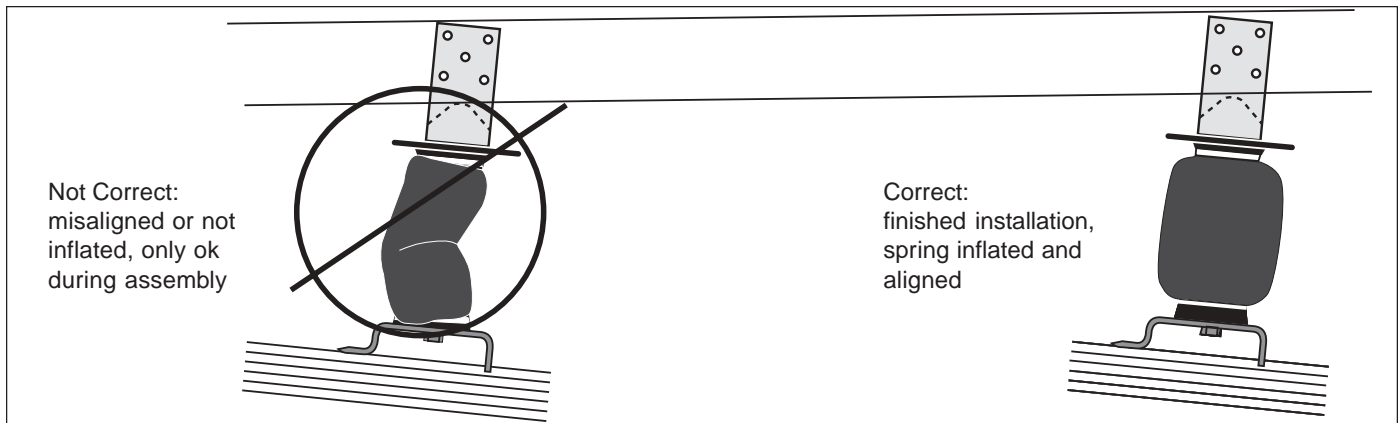


Figure 10

| MINIMUM AIR PRESSURE | MAXIMUM AIR PRESSURE |
|----------------------------------------------------------------------------------------------------------------------------------------------------------------------------------------------------------------------------------------------------------------------------------------------------------------------------------|----------------------|
| 10 p.s.i. | 100 p.s.i. |
| <p><i>Failure to maintain correct minimum pressure (or pressure proportional to load), bottoming out, over-extension, or rubbing against another component will void the warranty.</i></p> <p><i>Regardless of load, the air pressure must always be adjusted so that the normal ride height is maintained at all times.</i></p> | |

Maintenance of the System

1. Check pressure weekly.
2. Always maintain at least 10 p.s.i. air pressure.
3. If you develop an air leak in the system, use a soapy water solution to check all air line connections and the inflation valve core before removing sleeve.

Operation of the System

1. Inflate your air springs to 60 p.s.i. before adding the payload. After vehicle is loaded, adjust your air pressure to level the vehicle.
2. **IMPORTANT:** For your safety and to prevent possible damage to your vehicle, do not exceed maximum load recommended by the vehicle manufacturer. Although your air springs are rated at maximum inflation pressure of 100 p.s.i., the air pressure actually needed is dependant on the load and Gross Vehicle Weight Rating (GVWR), which may be less than 100 p.s.i. Check your vehicle owner's manual and do not exceed maximum loads listed for your vehicle.
3. When inflating your Air Lift sleeves, add pressure in small quantities, check the pressure frequently during inflation. The sleeves require much less air volume than a tire and therefore inflate much faster.
4. Should it become necessary to raise the vehicle by the frame, make sure the system is at minimum pressure (10 p.s.i.) to reduce the tension on suspension/brake components. Check to see that the air spring rolls back down over the bottom piston after the vehicle is lowered. If sleeve fails to roll back down over the piston, add air pressure until sleeve "pops" back over piston (do not exceed 100 p.s.i.).



Thank you for purchasing Air Lift Products

Mailing Address:
AIR LIFT COMPANY
P.O. Box 80167
Lansing, MI 48908-0167

Street Address:
AIR LIFT COMPANY
2727 Snow Rd.
Lansing, MI 48917

Local Phone: (517) 322-2144
Fax: (517) 322-0240

For Technical Assistance call 1-800-248-0892

“The Choice of the Professional Installer”

Printed in the USA