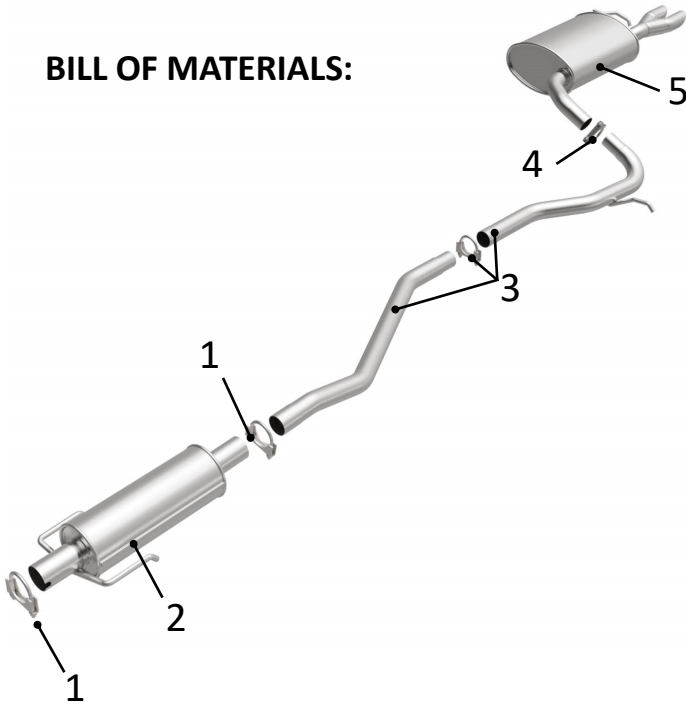


# BRExhaust™

A  MAGNAFLOW GROUP COMPANY

## INSTALLATION INSTRUCTIONS | PART NO. 106-0191

### BILL OF MATERIALS:



- 1: 169305
- 2: 167951
- 3: 167949
- 4: 167502
- 5: 167948

### WARNING:

When working on, under, or around any vehicle exercise caution. Please allow the vehicle's exhaust system to cool before removal, as exhaust temperatures may cause severe burns. If working without a lift, always consult vehicle manual for correct lifting specifications. Always wear safety glasses and ensure a safe work area. Serious injury or death could occur if safety measures are not followed.

#### STEP 1:

(Carefully read all instructions before installation) Disconnect the vehicle's battery before removal of the OEM exhaust system. This will prevent electrical accidents and will reset the computer if it applies to the vehicle. Remove existing exhaust system from the vehicle. Only remove parts that will be replaced. Clean existing flange with a wire brush to ensure proper sealing.

#### STEP 2:

Attach item 2 to existing exhaust and isolators

#### STEP 3:

Attach item 3 to existing isolators, item 2 and install clamp(s) provided with item 3

#### STEP 4:

Attach item 5 to existing isolators and item 3

#### STEP 5:

Place item 4 between item 5 and 3

#### STEP 6:

Place item 1 between items 3 and 2

#### STEP 7:

Place item 1 between item 2 and currently installed exhaust

#### STEP 8:

Ensure new exhaust is not contacting any portion of the underbody of the vehicle or drivetrain.

#### STEP 9:

Tighten all clamps starting from rear of the vehicle. **(DO NOT EXCEED 30FT-LB WHEN TIGHTENING CLAMP AND CHECK ALL CLAMPS AFTER 50 MILES. RETIGHTEN IF NECESSARY)**



**BRExhaust** recommends professional installation for all products

**Technical Support: 1-800-631-7271**

**BRExhaust — 1901 Corporate Ctr, Oceanside, CA 92056**

[www.brexhaust.com](http://www.brexhaust.com)