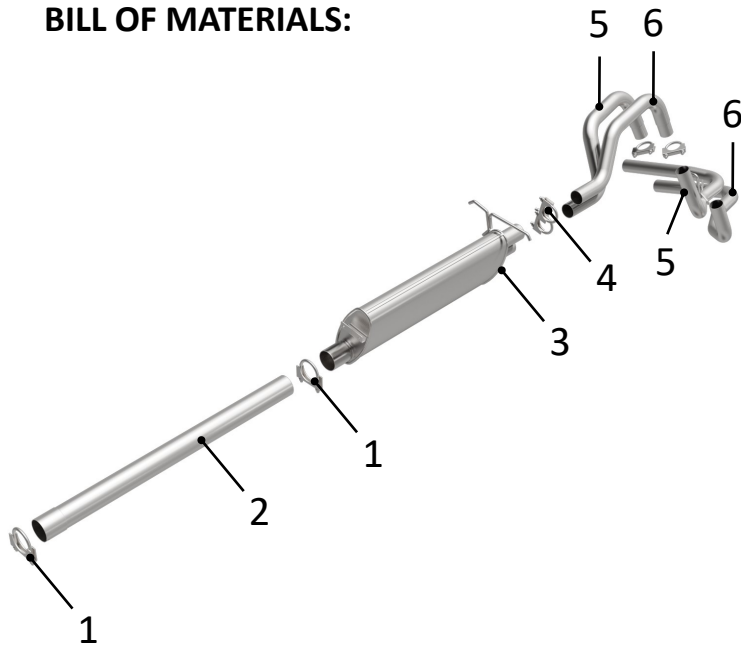


BRExhaust™

A  MAGNAFLOW GROUP COMPANY

INSTALLATION INSTRUCTIONS | PART NO. 106-0499

BILL OF MATERIALS:



- 1: 167507
- 2: 168682 (cut to fit)
- 3: 168681
- 4: 167503
- 5: 168684
- 6: 168683

WARNING:

When working on, under, or around any vehicle exercise caution. Please allow the vehicle's exhaust system to cool before removal, as exhaust temperatures may cause severe burns. If working without a lift, always consult vehicle manual for correct lifting specifications. Always wear safety glasses and ensure a safe work area. Serious injury or death could occur if safety measures are not followed.

STEP 1:

(Carefully read all instructions before installation) Disconnect the vehicle's battery before removal of the OEM exhaust system. This will prevent electrical accidents and will reset the computer if it applies to the vehicle. Remove existing exhaust system from the vehicle. Only remove parts that will be replaced. Clean existing flange with a wire brush to ensure proper sealing.

STEP 2:

Attach item 5 to existing isolators

STEP 2:

Attach item 6 to item 5 bracket using item 4

STEP 3:

Connect item 2 to existing exhaust with item 1 (cut to fit)

STEP 5:

Connect item 3 to existing isolators

STEP 5:

Connect item 3 to item 5 and 6 with item 4

STEP 5:

Connect item 2 to item 3 with item 1

STEP 7:

Use clamps provided with items 5 and 6 to secure slip fit

STEP 8:

Ensure new exhaust is not contacting any portion of the underbody of the vehicle or drivetrain.

STEP 9:

Tighten all clamps and bolts starting from rear of the vehicle. **(DO NOT EXCEED 30FT-LB WHEN TIGHTENING CLAMP AND CHECK ALL CLAMPS AFTER 50 MILES. RETIGHTEN IF NECESSARY)**



BRExhaust recommends professional installation for all products

Technical Support: 1-800-631-7271

BRExhaust — 1901 Corporate Ctr, Oceanside, CA 92056

www.brexhaust.com

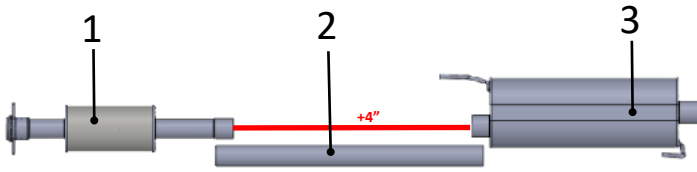
BRExhaust™

A **MAGNAFLOW** GROUP COMPANY

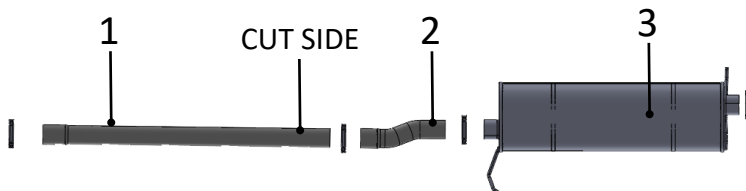
CUT TO FIT INSTALLATION INSTRUCTIONS

DESIGN TABLE

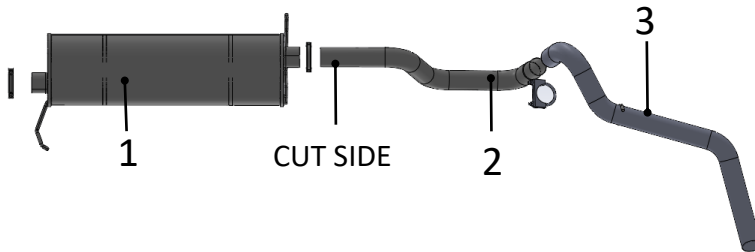
DESIGN STYLE 1: CUT TO FIT INTERMEDIATE PIPE



DESIGN STYLE 2: CUT TO FIT INLET



DESIGN STYLE 3: CUT TO FIT TAIL PIPE



WARNING:

When working on, under, or around any vehicle exercise caution. Please allow the vehicle's exhaust system to cool before removal, as exhaust temperatures may cause severe burns. If working without a lift, always consult vehicle manual for correct lifting specifications. Always wear safety glasses and ensure a safe work area. Serious injury or death could occur if safety measures are not followed.

MATCH PURCHASED KIT'S CUT TO FIT DESIGN TO GRAPHIC IN DESIGN TABLE

DESIGN STYLE 1

STEP 1:

Attach item 1 to existing exhaust

STEP 2:

Attach item 3 to existing isolators

STEP 3:

Cut item 2 4" longer than the distance between the installed parts, this will allow for a 2" overlap for each slip fit (**cutting part too short will increase likelihood of leaks**)

DESIGN STYLE 2

STEP 1:

Attach item 3 to existing isolators

STEP 2:

Attach item 2 to item 3

STEP 3:

Cut item 2 2" longer than the distance between item 2 and OEM part, this will allow for a 2" overlap (**cutting part too short will increase likelihood of leaks**)

DESIGN STYLE 3

STEP 1:

Attach item 1 to existing isolators

STEP 2:

Attach item 3 to existing isolators

Technical Support: 1-800-631-7271

BRExhaust — 1901 Corporate Ctr, Oceanside, CA 92056

www.brexhaust.com



BRExhaust recommends
professional installation
for all products