



INSTALLATION INSTRUCTIONS ENGINE SPIN-ON ADAPTER KIT PART # 35747

Please read these instructions completely before beginning installation

KIT CONTENTS

QTY.	DESCRIPTION	QTY.	DESCRIPTION
1	Spin-On Adapter	1	3/4-16 Sleeve Nut
1	Adapter Plate	1	13/16-16 Sleeve Nut
1	O-ring (Spin-On Adapter)	1	18mm x 1.5 Sleeve Nut
1	O-ring (Adapter Plate)	1	20mm x 1.5 Sleeve Nut
1	Snap Ring	1	22mm x 1.5 Sleeve Nut

IMPORTANT

The Spin-on Adapter is machined with -10 AN / 7/8-14 threaded ports & MUST have an O-ring style fitting. Dera offers several Aluminum AN Male Adapter Fittings, please visit www.dera.com or visit your local retailer.

Note: O-ring fittings DO NOT require thread sealant.

PRE-INSTALLATION

Important: The Adapter Plate & O-ring are designed to fit vehicles with a 3 1/2" filter landing. Primarily 1963-2007 GM SB & BB V-8 engines.

There are 5 supplied Sleeve Nuts in this kit. Only 1 Sleeve Nut will be used for your application.

SELECTING COMPONENTS

To easily select the correct components for your application, follow the steps below. Then proceed to the INSTALLATION section.

Selecting the Spin-on Adapter and/or Adapter Plate

1. Remove the factory oil filter from the vehicle.
2. Using a rag, clean the oil filter landing on the engine.
3. Take the supplied Spin-on Adapter and Adapter Plate.
4. To determine if your application uses the supplied Adapter Plate, first hold the Adapter Plate up to the oil filter landing on the engine block. The casting needs to seat directly onto the landing without obstruction. If the Adapter Plate is too large, then disregard the Adapter Plate and O-ring. (See Diagram #2)
5. Take the supplied Spin-On Adapter and hold it up the oil filter landing on the engine block. The casting needs to seat directly onto the landing without obstruction.

Selecting the Sleeve Nut

1. Using the remaining 5 supplied Sleeve Nuts, try and screw each Sleeve Nut onto the filter nipple on the engine block until the correct size will completely thread onto the nipple. Once you have located the correct Sleeve Nut, disregard the remaining 4 Sleeve Nuts.
2. Take the Sleeve Nut and slide it into the Spin-on Adapters hex feature. Sleeve Nut will only install correctly in one direction. (See Diagram #1)
3. Take the supplied Snap Ring and carefully install into the snap ring groove of the casting making sure it is securely fastened. (See Diagram #1)

Warning: It is recommended that you wear the proper eye protection when installing Snap Ring.

INSTALLATION

1. Apply a light coat of oil onto the O-ring(s).
2. Take the O-ring and install into the groove on the Spin-On Adapter and Adapter Plate (if used).
3. Install onto the engine. (See Diagram #2)
4. Hand Tighten with the same force used in tightening a factory oil filter.

Note: Keep hoses away from sharp edges, moving parts and exhaust. Do not bend hose sharper than a 5" radius.

VEHICLE TESTING

1. Start the engine and quickly check all connections for leaks.
2. Turn-off the engine and check the oil.
3. Add oil as needed.

Warning: Installation of accessories should only be undertaken by those with mechanical knowledge and are familiar with working on vehicles. Always use eye protection (goggles, safety glasses or shield). Park the vehicle in a well lit area, on level ground and apply the parking brake. Only work on a cold vehicle that has been sitting overnight, failure to do so will result in severe burns and injury. Before starting the vehicle, make sure no tools or any other items are left under hood that could interfere with or be drawn into moving parts of the engine. Failure to follow instructions can lead to severe damage and personal injury.

Diagram #1

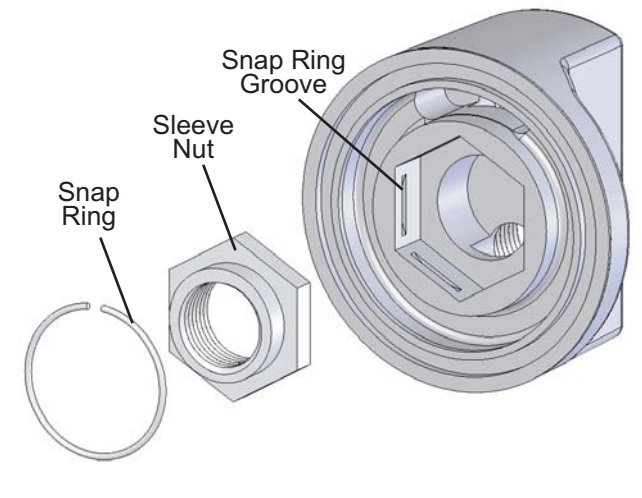


Diagram #2

