



# INSTALLATION INSTRUCTIONS UNIVERSAL FAN MOUNTING BRACKET KIT PART # 16700

Please read these instructions completely before starting the installation.

## KIT CONTENTS

| QTY. | DESCRIPTION            | QTY. | DESCRIPTION           |
|------|------------------------|------|-----------------------|
| 2    | Large Mounting Bracket | 4    | Star Washer           |
| 4    | Small Mounting Bracket | 4    | Flat Washer           |
| 4    | M6 x 12MM Hex Bolt     | 8    | #14 Sheet Metal Screw |
| 8    | M6 Lock Nut            |      |                       |

## TOOLS NEEDED

|                       |                 |
|-----------------------|-----------------|
| Standard Screw Driver | 3/16" Drill Bit |
| Open End Wrenches     | Marker          |
| Drill                 |                 |

The Universal Fan Mounting Bracket Kit is designed for 10", 12", 14" & 16" Dera Tornado Electric Fans. Brackets are constructed of .090 aluminum with a clear anodized finish.

## UNIVERSAL FAN BRACKET INSTALLATION

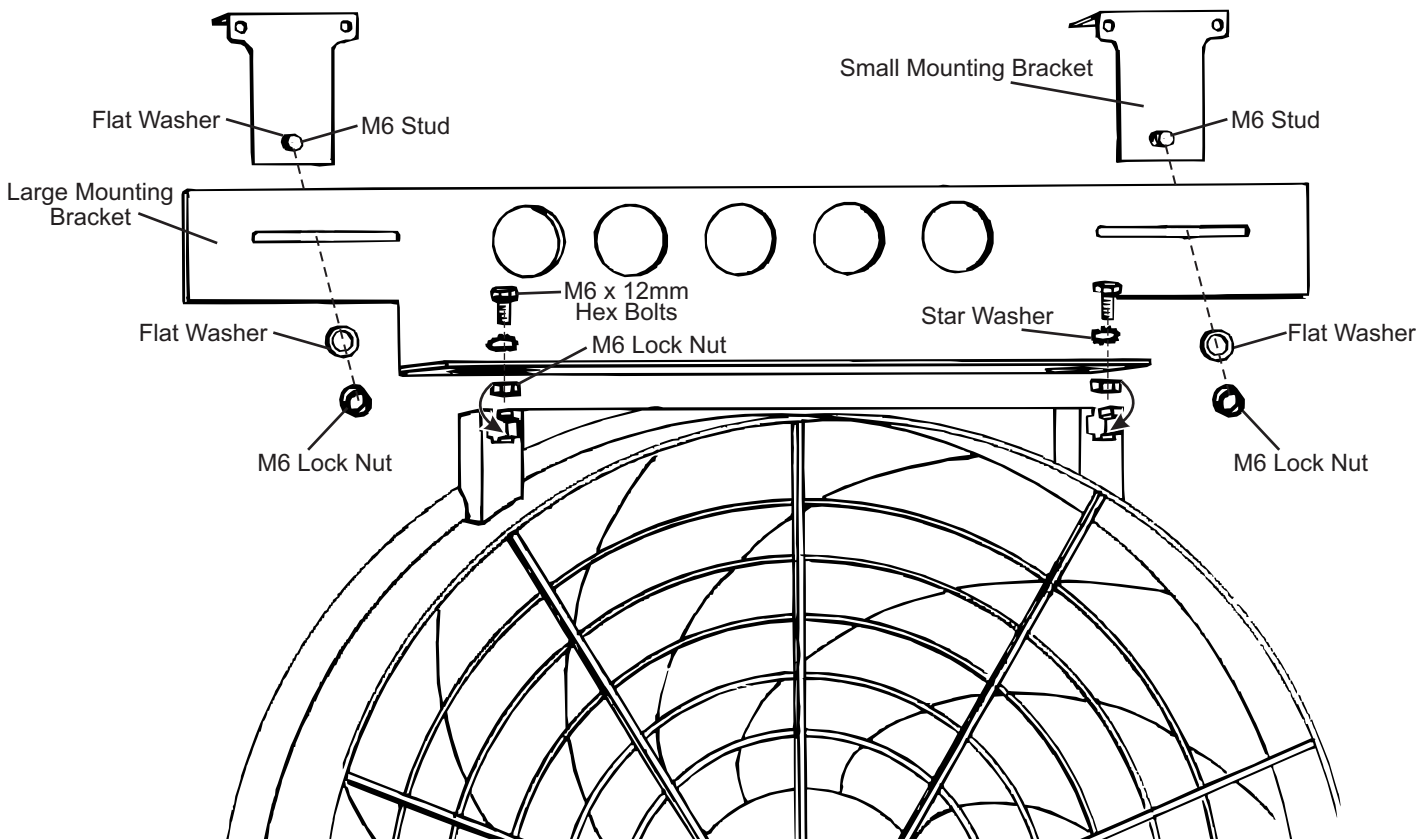
1. Place the electric fan on a table or flat surface. (Motor facing up)
2. Place the two Large Mounting Brackets up against the two mounting surfaces of the fan shroud. (As shown in diagram below)

**Note:** Make sure the brackets are flush with the bottom of the shroud.

3. Assemble the four M6 x 12MM Hex Bolts, four Star Washers, and four M6 Lock Nuts onto the large brackets, leaving them loose in order to slide the lock nuts down into the slots on the flat area of the fan shroud. Tighten the bolts making sure to keep the shroud and brackets flush. (See Diagram below for proper configuration)
4. Take the four Small Mounting Brackets and install the pressed in studs into the slot on the large brackets. Use the four M6 Lock Nuts and Flat Washers to secure.

**Note:** Small Mounting Brackets are universal and can be mounted in any direction.

5. Take the fan and bracket assembly and determine the best location for mounting. Once you have location set, be sure to tighten the Lock Nuts that hold the Small Mounting Brackets.
6. Take the eight #14 Sheet Metal Screws, and mount all brackets in desired locations by pre drilling with a 3/16" drill bit. Other hardware can be used in place of screws if desired!
7. Finally, assure that all hardware is tightened properly and that fan is completely secure.



**Warning:** Installation of accessories should only be undertaken by those with mechanical knowledge and are familiar with working on vehicles. Always use eye protection (goggles, safety glasses or shield). Park the vehicle in a well lit area, on level ground and apply the parking brake. Only work on a cold vehicle that has been sitting overnight, failure to do so will result in severe burns and injury. Before starting the vehicle, make sure no tools or any other items are left under hood that could interfere with or be drawn into moving parts of the engine. Failure to follow instructions can lead to severe damage and personal injury.