



HI-FIVE® CAB ROOF LIGHTS INSTALLATION INSTRUCTIONS

20-106 & 20-206 (L.E.D Bulbs) 20-105, 20-205, 20-215 (Incandescent Bulbs)

PARTS LIST

5 Hi-Five® Lights	1 Length of red wire
1 Switch	10 Long sheet metal screws
2 Sheet metal screw (switch)	6 Quick Splice Connectors
1 Pig tail with fuse	

TOOLS NEEDED

Hammer	Pliers
Center Punch	#2 Phillips Screwdriver
Drill Motor	Tape Measure
1/8" Drill Bit	Masking Tape

CAUTION! Before beginning installation of your Pacer Hi-Five® Lights, read instructions through carefully and completely. Before drilling, check to make sure all lights are positioned and located properly. Use a measuring tape to ensure accuracy and masking tape to mark positions.

BULB INSTALLATION: SECTION A - L.E.D. BULBS SECTION B - INCANDESCENT BULBS

SECTION A - L.E.D. BULBS

- 1) Line up the two indexing tabs on the bulb with the indexing slots on the base socket and turn the bulb clockwise a 1/4 turn.
- 2) Using a battery or 12V power source, test each light to ensure bulb is installed correctly.

IMPORTANT: L.E.D. bulbs are polarity specific and will only operate in one direction. If light does not turn on, remove bulb, rotate 180° and reinstall and Retest.

- 3) Once you determine the light is functioning correctly reinstall the lens.

SECTION B - INCANDESCENT BULBS

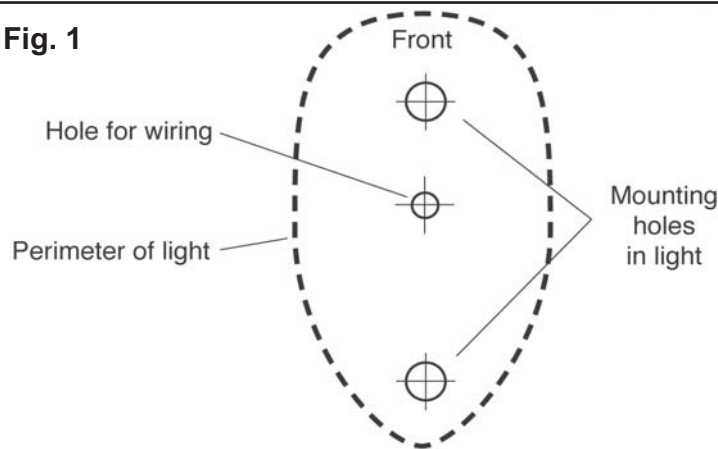
- 1) Line up the two indexing tabs on the bulb with the indexing slots on the base socket and turn the bulb clockwise a 1/4 turn.
- 2) Using a battery or 12V power source, test each light to ensure bulb lights.
- 3) Once you determine the light is functioning correctly reinstall the lens.

NOTE: This kit uses a type #67 bulb.

L.E.D. replacements bulbs are available from Pacer:

Part number 20-102 – 5 Bulb Amber L.E.D. Kit

Fig. 1



Use the light as template
for marking
mounting and wiring holes.

POSITIONING LIGHTS & TOGGLE SWITCH

- 1) Determine best location for light placement, using a tape measure to make sure lights are positioned and spaced evenly. Use masking tape to mark the position of the lights. Always find absolute center first, attaching and securing that light first. Measure outward from there.

NOTE: On all roof mount installations, use of amber lights must be forward-facing.

- 2) Working inside vehicle, determine best placement for the toggle switch. Keep in mind your natural seating position as well as placing switch within easy reaching distance.

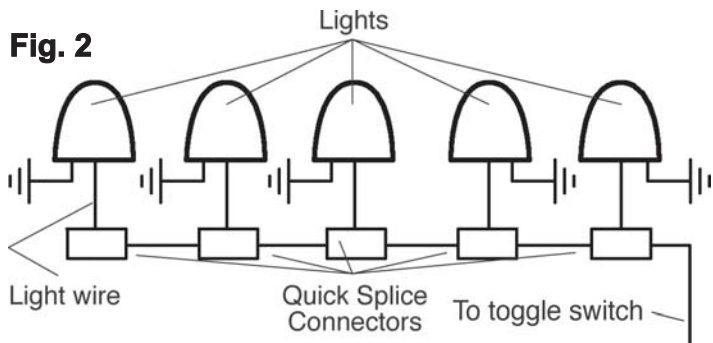
MOUNTING LIGHTS AND TOGGLE SWITCH

- 1) On roof mount installations, working inside vehicle, lower headliner directly below desired mounting area to access inside where mounting screws and light wiring will pass through and into cab.
- 2) Install masking tape to the top of the roof in all mounting areas.

Warning: Installation of accessories should only be undertaken by those with mechanical and electrical knowledge and are familiar with working on vehicles. Park the vehicle in a well lit area, on level ground and apply the parking brake. After installation, check all lights and electronic functions thoroughly. Failure to follow instructions can lead to severe damage and personal injury.

- 3) Using light as a template, mark location of both mounting holes onto roof. Move light, then mark location of hole needed for wiring to pass through roof. Make sure hole is inside the perimeter of the light (see Fig.1) and allows for easy routing of the wires.
- 4) CAREFULLY center punch marked hole locations. Only a light tap of the hammer is necessary to dimple sheet metal.
- 5) Before drilling, make sure headliner is clear and will not be pierced by drill bit. Now drill holes marked using 1/8" bit.
- 6) Attach and secure light assembly to roof using long sheet metal screws provided in hardware bag. Repeat procedure for all lights.
- 7) Position toggle switch in area clear of obstructions that will not interfere with leg or arm/hand motions, but is within easy reaching distance of driver's seat. Using slots at top of plastic switch housing as a template, mark location to be drilled for mounting. Carefully drill where marked using 1/8" drill bit. Attach and secure switch using sheet metal screws provided.

5 LIGHT HI-FIVE® WIRING DIAGRAM LIGHT BASES ARE SELF-GROUNDING



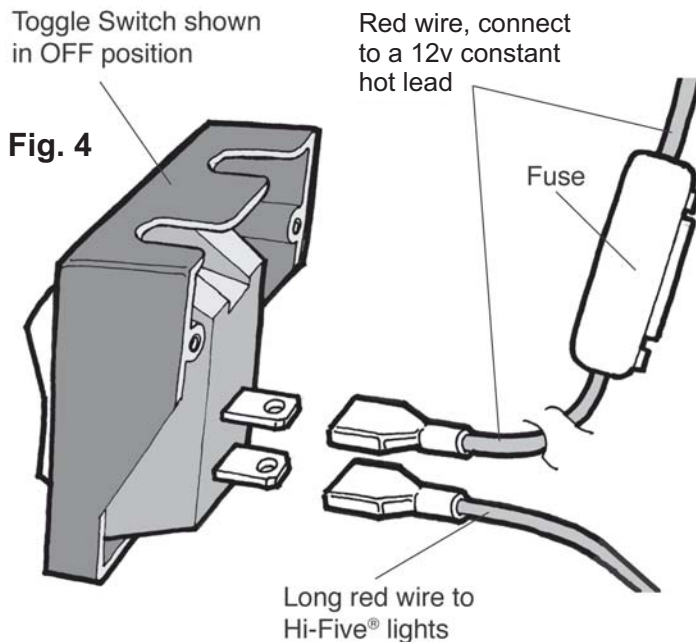
WIRING LIGHTS TOGETHER

NOTE: (Part numbers 20-106, 20-206, 20-105 and 20-106) Each chrome light base is designed to be self-grounding and will only have one positive wire to connect. When installing, please insure that the mounting screws are making a good metal ground connection. If you are having troubles getting a good ground due to paint or other insulator, a ground wire can be attached to the base screw and run to any solid ground location.

NOTE: (Part number 20-215) Each plastic bezel has a ground wire permanently attached. Connect this wire to a secure clean location to give a strong ground.

Positive wire connection: Run the wire from the housing out the bottom of the unit and pull the spring assembly into the bulb holder built into the light. The bulb will then press down and secure the tab from the power wire into the holder.

WIRING OF TOGGLE SWITCH:



Beginning with lights located farthest from the switch, splice the positive wire to the end of red wire (end without connector) using quick splice connectors provided. After inserting both wires, fold over connector and press tightly using hand pliers. Continue with each light in sequence. Tape all wires securely to roof when finished. (Fig. 2 - 3)

WIRING LIGHTS TOGETHER

- 1) Route connector end of red wire to switch, running wiring either inside or alongside windshield pillar.
- 2) Connect red wire to bottom plug on backside of switch. (Fig. 4)
- 3) Attach red hot wire with fuse to top plug on backside of switch. (Fig. 4). The stripped end of red wire can now be spliced into a constant hot lead. This will allow lights to operate directly with switch, independent of the vehicle's lights.

NOTE: If lights do not work after mounting

- 1) Remove plastic lens and check to make sure bulb is correctly installed and the filament is intact.
- 2) Check the ground connection.
- 3) Check in-line fuse to make sure it is secure and in working order.
- 4) Recheck all connections to make sure they are secure.

