



OUTBACK F5™ RIGID L.E.D. TAILGATE LIGHT INSTALLATION INSTRUCTIONS PART # 20-814 & 20-815

PARTS LIST

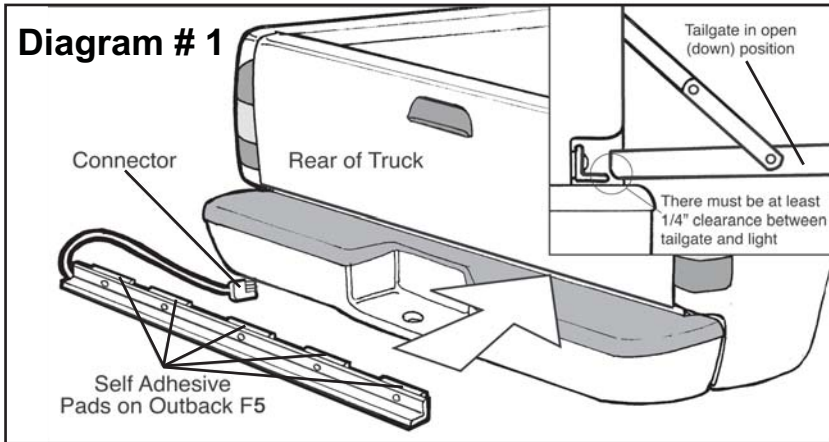
- 1 Outback F5™ (49" or 60" Long)
- 1 Alcohol Prep. Pad
- 1 Wire Tap Connectors

TOOLS NEEDED

- 12 volt test light
- Tape measure
- Marker

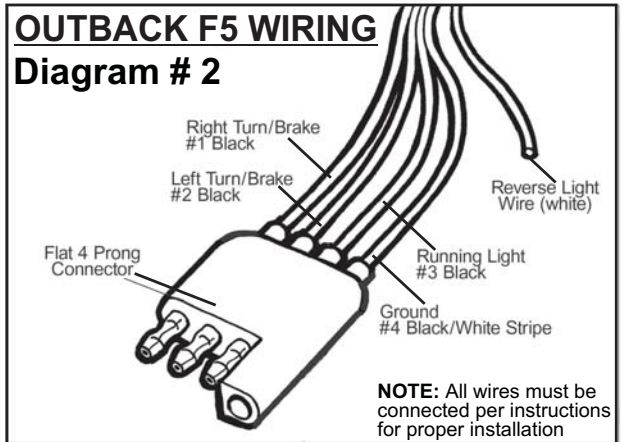
Note: Before beginning read instructions through carefully and completely. Prior to attaching your new L.E.D. Tailgate Light Bar, open tailgate fully to ensure gate clears Taillight Bar without interference.

Diagram # 1



OUTBACK F5 WIRING

Diagram # 2



SURFACE PREPARATION

It is very important the mounting surface is clean and free of wax, dirt, oil, water or other contaminants that could interfere w/ adhesive bonding. Place Light Bar in approximate mounting position in area below tailgate to determine mounting area to clean and prepare for installation. Take the Alcohol Preparation Pad supplied and clean mounting surfaces thoroughly.

INSTALLATION

- 1) Use a tape measure and marker, mark ends of Light Bar onto vehicle as a guide to ensure Light Bar is positioned properly. **IMPORTANT!** The **Flat 4 Prong Connector** should be located on the drivers side to assure that the left & right turn signals are correct.
- 2) Make sure there is at least 1/4" clearance between the Light Bar and the tailgate edge when in the down position. (Dia. #1)
- 3) Carefully peel off protective paper backing on adhesive. We recommend having an assistant to ensure proper placement.
- 4) After product is mounted, apply steady pressure on the Light Bar adhesive pads to ensure proper bonding.

Note: Do not install this product if outside temperature is below 60°F or above 90°F. Do not subject Light Bar to extreme temperatures, water or road contaminants for 24 hours after installation to allow adhesive to fully bond to mounting surface.

ELECTRICAL CONNECTIONS

A) If vehicle has a Flat 4 Prong trailer light connection

B) If vehicle does not have a Flat 4 Prong trailer light connection

SECTION A - Vehicle has a Flat 4 Prong trailer light connection

Flat 4 Prong Connector: Plugs into vehicle Female 4 prong connector. Carefully route wires to the back side of the existing trailer connection so they do not hang down or get damaged by road hazards such as rocks, gravel or other debris. Secure in place using tie wraps. Plug in the Flat 4 Prong Connector to the vehicles female 4 prong connector.

White Wire: Connect to Back-up light (+).

Use a test light, identify back-up light wire on vehicle. Using the blue wire connector provided, connect White Light Bar wire to back-up light source.

SYSTEM CHECK

With a helpers assistance check all functions turning on running lights, turn signals, back-up lights and brake lights.

(Electrical Connections Continued)

SECTION B - OPTION 1 - If your vehicle does not have a Flat 4 Prong trailer light connection, but has a 5, 6 or 7 prong connector, you can purchase adapters to convert your system to a Flat 4 prong trailer light connection. (Available at most auto parts and trailer supply stores.) Once adapter is purchased & installed, please reference Section A for wiring instructions.

SECTION B - OPTION 2 - If your vehicle does not have a Flat 4 Prong trailer light connection, you will need to hard wire the light directly into the vehicles wiring system. A female 4 prong connector can be purchased for ease of installation. (Available at most auto parts and trailer supply stores.)

There are two types of tail lights on late model vehicles.

Single Bulb - brake and turn signals - Most Domestic Vehicles

Separate Bulbs - brake and turn signals - Most Import Vehicles

1) Single Bulb - brake and turn signals (Dual filament type bulb) Most Domestic Vehicles

Identify & connect wire to its function according to A, B, C, D & E.

A) Identify Running light wire: Turn on Running lights and use test light to identify which wire is powered. Mark light, then attach to #3 Running light wire on Light Bar. (Dia. #2)

B) Identify Left Turn Signal wire: Turn on the Left Turn Signal and identify which wire powers that light, then attach to #2 Left Turn Signal light wire on Light Bar. (Dia. #2)

C) Identify Right Turn Signal wire: Turn on the Right Turn Signal and identify which wire powers that light, then attach to #1 Right Turn Signal light wire on Light Bar. (Dia. #2)

D) Locate proper Ground: Attach #4 Black/White Ground wire on Light Bar to a solid ground connection on vehicle chassis.

E) Identify back up light wire: Back up light on and identify the wire powering the white back up lights & connect to White Light Bar wire.

2) Separate Bulbs - brake and turn signals (Separate bulbs for each function) Most Import Vehicles

Import vehicles are equipped with a five wire system. If the vehicle has a trailer light connection then you can proceed with above wiring instructions A, B, C, D, & E. If the vehicle is not equipped with a trailer light connection you will need a trailer wire adapter or a 5 to 4 wire converter, which is available at most auto parts and trailer supply stores. This adapter converts the five wire system to the four wire Domestic system. For adapter installation please read and follow the instructions which come with the adapter. Then follow above steps A, B, C, D & E for the F5 Light Bar wiring.

Warning: Installation of accessories should only be undertaken by those with mechanical and electrical knowledge and are familiar with working on vehicles. Always use eye protection (goggles, safety glasses or shield). Park the vehicle in a well lit area, on level ground and apply the parking brake. After installation, check all lights and electronic functions thoroughly. Failure to follow instructions can lead to severe damage and personal injury.