



FITTING INSTRUCTIONS

Part Number: **5414200**
Product **UNDER VEHICLE PROTECTION**
Description:
Suited to **TOYOTA HILUX & FORTUNA 2015 ON**
vehicle/s:

WARNING

REGARDING VEHICLES EQUIPPED WITH SRS AIRBAG:

When installed in accordance with these instructions, the vehicle protection panels do not affect operation of the SRS airbag.

ALSO, NOTE THE FOLLOWING:

- ◆ This product must be installed exactly as per these instructions using only the hardware supplied.
- ◆ Do not use this product for any vehicle make or model, other than those specified by ARB.
- ◆ Do not remove labels (if any) from this product.
- ◆ This product or its fixing must not be modified in any way.
- ◆ The installation of this product may require the use of specialized tools and/or techniques
- ◆ These instructions are correct as at the publication date. ARB Corporation Ltd. cannot be held responsible for the impact of any changes subsequently made by the vehicle manufacturer
- ◆ During installation, it is the duty of the installer to check correct operation/clearances of all components
- ◆ Work safely at all times
- ◆ Unless otherwise instructed, tighten fasteners to specified torque

ARB 4x4 ACCESSORIES

Corporate Head Office

42-44 Garden St
Kilsyth, Victoria
AUSTRALIA 3137

Tel: +61 (3) 9761 6622
Fax: +61 (3) 9761 6807

Australian enquiries
North & South American enquiries
Other international enquiries

sales@arb.com.au
sales@arb.com.au
exports@arb.com.au

www.arb.com.au

IMPORTANT INFORMATION. GENERAL CARE AND MAINTENANCE

By choosing ARB vehicle protection, you have bought a product that is one of the most sought after 4WD products in the world. Your under vehicle protection panels are a properly engineered, reliable, quality accessory that represents excellent value.



- While these panels have been engineered for strength and functionality care and good judgment should be taken when traversing difficult off-road conditions to minimise damage to panels and vehicle.
- During servicing when panels are removed ensure fasteners are re-fitted to the correct torque values.
- Inspect panels visually on a regular basis. Dirt and foreign matter should be washed out to minimise build-up around hot components. **BE VERY CAREFUL** when removing foreign matter with hands while vehicle is hot or running. Replace any components as necessary. This service can be performed by your local authorized ARB Stockist.

FITTING REQUIREMENTS

REQUIRED TOOLS FOR FITMENT OF PRODUCT:

BASIC TOOL KIT	TORQUE WRENCH (22Nm – 44Nm)
-----------------------	------------------------------------

HAVE AVAILABLE THESE SAFETY ITEMS WHEN FITTING PRODUCT:

Protective eyewear	
Hearing protection	

NOTE: 'WARNING' notes in the fitting procedure relate to OHS situations, where to avoid a potentially hazardous situation it is suggested that protective safety gear be worn or a safe work procedure be employed. If these notes and warnings are not heeded, injury may result.

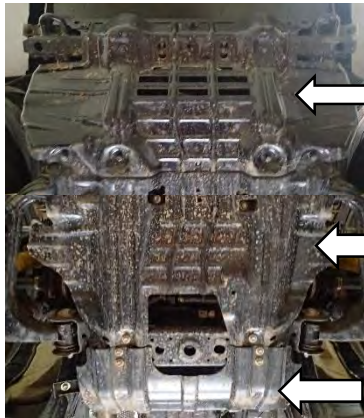
FASTENER TORQUE SETTINGS:

SIZE	Torque Nm	Torque lbft
M6	9Nm	7lbft
M8	22Nm	16lbft
M10	44Nm	32lbft
M12	77Nm	57lbft

PARTS LISTING

APPLICATION.	PART NO.	QTY.	DESCRIPTION.
FIT FRONT PANEL	6523081	1	FRONT UVP ASSEMBLY
	6151022	4	BOLT M8 x 1.25 x 25
	4584311	4	WASHER FLAT M8x18x2
FRONT PANEL TO BULL BAR	6151022	4	BOLT M8 x 1.25 x 25
	4584311	4	WASHER FLAT M8x18x2
	6151303	4	NUT CAGED M8
FRONT PANEL TO OEM BUMPER ONLY	6151300	2	NUT CAGED M6
FIT SUMP PANEL	6523083	1	SUMP UVP ASSEMBLY
	6151022	7	BOLT M8 x 1.25 x 25
	4584311	7	WASHER FLAT M8x18x2
	6151132	3	NUT FLANGE M8 x 1.25 ZP
FIT TRANSMISSION PANEL	6523085	1	TRANSMISSION UVP ASSEMBLY
	6151022	3	BOLT M8 x 1.25 x 25
	4584311	3	WASHER FLAT M8x18x2
	6151132	3	NUT FLANGE M8 x 1.25 ZP
	6151357	2	BOLT SEMS M10 X 30 ZP Gd 8.8
	3759081	2	NUT PLATE M10
FIT TRANSFER PANEL	6523065	1	TRANSFER CASE UVP
	6151022	4	BOLT M8 x 1.25 x 25
	4584311	4	WASHER FLAT M8x18x2

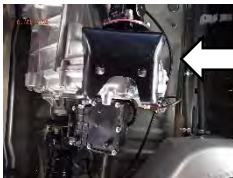
FITTING PROCEDURE



← FRONT PANEL

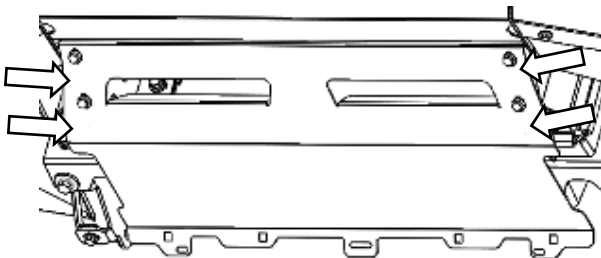
← SUMP PANEL

← TRANSMISSION
PANEL



← TRANSFER
CASE PANEL

- ALL VEHICLES:** Remove OEM panels from vehicle and retain bolts and fasteners.

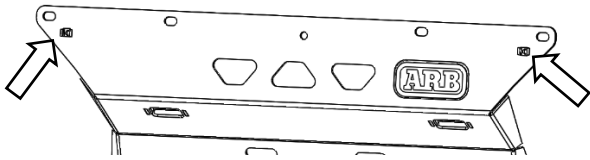


FOR FITMENT TO ARB BULL BAR

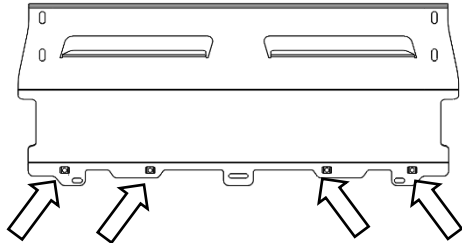
- Loosen 4 X M8 bolts on STONE GUARD.

FITTING PROCEDURE - Continued

FITMENT TO OEM BUMPER:



FITMENT TO ARB BULL BAR:



FOR FITMENT TO OEM BUMPER

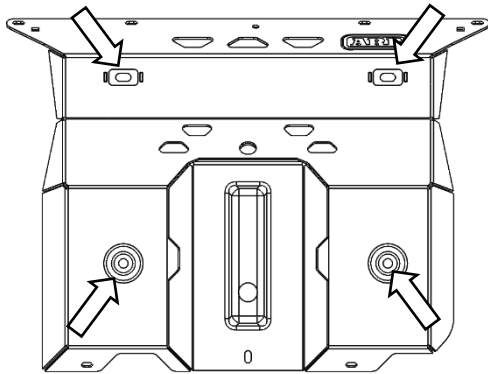
3. Insert 2x NUT CAGED M6 into FRONT PANEL as shown.

NOTE: For fitment to OEM BUMPER FRONT PANEL; sits behind trim panel.

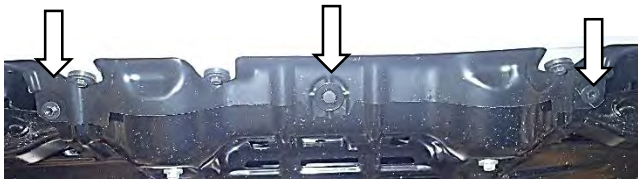
FOR FITMENT TO ARB BULL BAR

4. Insert 4x NUT CAGED M8 into centre STONE GUARD of bull bar as shown.

NOTE: For fitment to ARB BULL BAR FRONT PANEL; sits in front of STONE GUARD.



5. Secure the FRONT PANEL using 4 x M8 bolts and flat washers. **Leave finger tight.**



FOR FITMENT TO OEM BUMPER

6. Secure FRONT PANEL to trim using 2 X OEM M6 fasteners and 1 X OEM clip removed in step 1. Tighten these bolts to prescribed torque

M6 fasteners;



9 Nm.



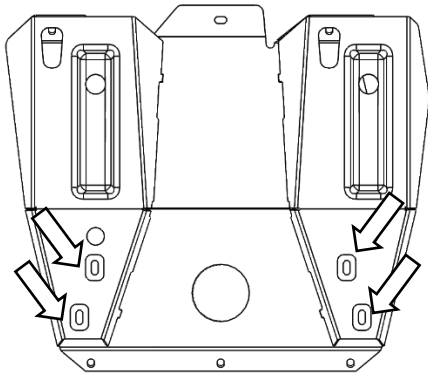
FOR FITMENT TO ARB BULL BAR

7. Secure FRONT PANEL to STONE GUARD using 4 x M8 bolts and flat washers. Tighten these bolts and 4 X M8 bolts loosened in step 2 on STONE GUARD to prescribed torque.

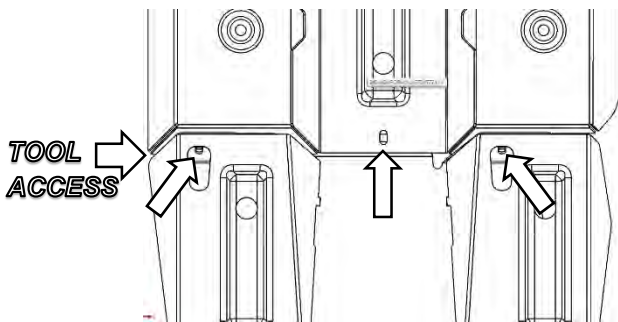


M8 - 22 Nm.

FITTING PROCEDURE - Continued

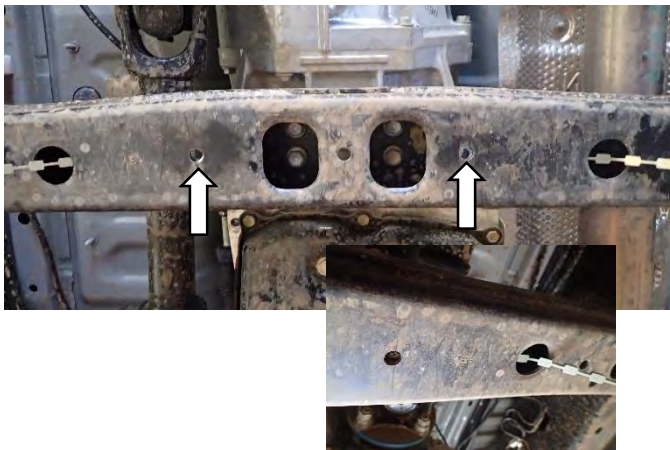


8. Secure the SUMP PANEL to chassis using 4 x M8 bolts and flat washers. **Leave finger tight.**

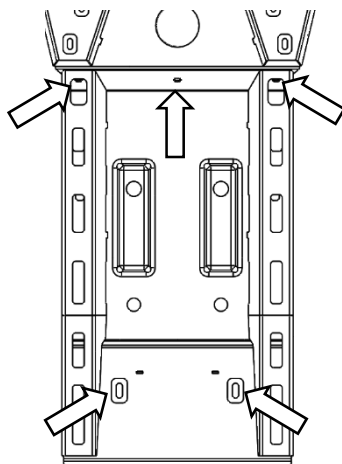


9. Secure rear of FRONT PANEL to front of SUMP PANEL using 3 x M8 bolts, flat washer and flange nuts. **Leave finger tight.**

NOTE: Tool access to LH fixing is possible from RH side of vehicle.

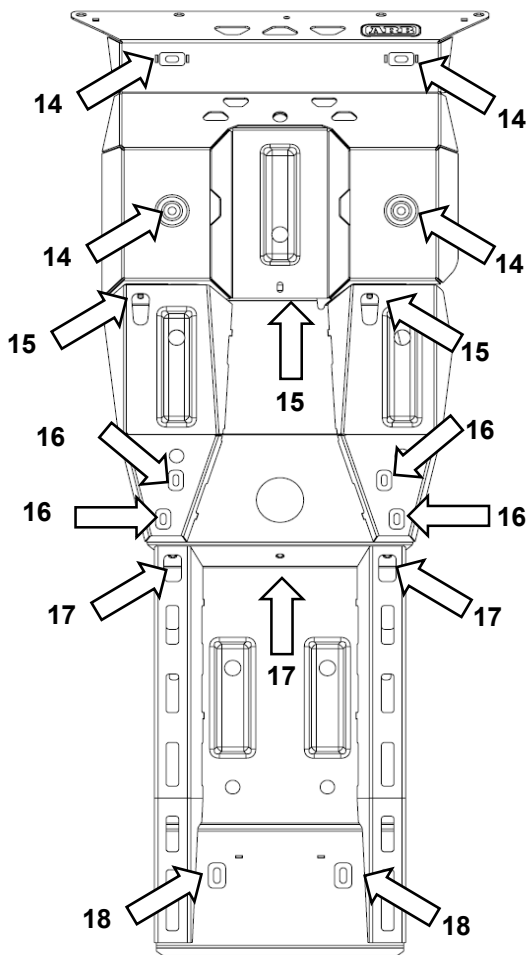


10. Insert 2 x NUT PLATES into transmission cross member and align with holes as shown.



11. With the help of another person or a jack lift the TRANSMISSION PANEL into place and secure rear of TRANSMISSION PANEL to nut plates using 2 x M10 SEMS bolt. **Leave finger tight.**
12. Secure the front section using 3 x M8 bolts, flat washers and flange nuts. **Leave finger tight.**

FITTING PROCEDURE - Continued




13. Tighten 4 x M8 bolts fixing FRONT PANEL to chassis to prescribed torque.

 **M8 - 22 Nm.**

14. Tighten 3 x M8 bolts securing FRONT PANEL to front of SUMP PANEL to prescribed torque.

 **M8 - 22 Nm.**


15. Tighten 4 x M8 bolts securing SUMP PANEL to chassis to prescribed torque.

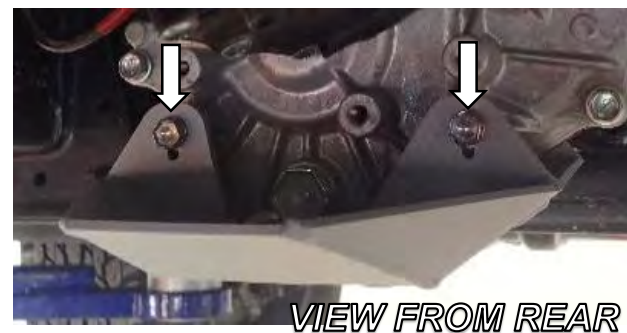
 **M8 - 22 Nm.**

16. Tighten 3 x M8 bolts securing SUMP PANEL to front of TRANSMISSION PANEL to prescribed torque.

 **M8 - 22 Nm.**

17. Tighten 2 x M10 bolts securing TRANSMISSION PANEL to chassis to prescribed torque.

 **M10 - 44 Nm.**



18. Fit transfer panel as shown using 4 x M8 bolts and flat washers. Tighten to prescribed torque.

 **M8 - 22 Nm.**

19. Discard unused fasteners.

ONCE UNDER VEHICLE PROTECTION IS FITTED:

- Ensure all Panels are securely fastened.
- Ensure all bolts are tensioned correctly.
- Ensure panels are clear of piping.
- Ensure panels are clear of wiring.
- Ensure panels are clear of moving parts.

Fitted Product – UVP HILUX 15 ON

