



FITTING INSTRUCTIONS

Part Number: **5423010**
Product Description: **Under Vehicle Protection**
Suited to vehicle/s: **Toyota Tacoma Gen II 04-15 & Gen III 16ON**

WARNING

REGARDING VEHICLES EQUIPPED WITH SRS AIRBAG:

When installed in accordance with these instructions, the vehicle protection panels do not affect operation of the SRS airbag.

ALSO, NOTE THE FOLLOWING:

- ◆ This product must be installed exactly as per these instructions using only the hardware supplied.
- ◆ Do not use this product for any vehicle make or model, other than those specified by ARB.
- ◆ Do not remove labels (if any) from this product.
- ◆ This product or its fixing must not be modified in any way.
- ◆ The installation of this product may require the use of specialized tools and/or techniques
- ◆ These instructions are correct as at the publication date. ARB Corporation Ltd. cannot be held responsible for the impact of any changes subsequently made by the vehicle manufacturer
- ◆ During installation, it is the duty of the installer to check correct operation/clearances of all components
- ◆ Work safely at all times
- ◆ Unless otherwise instructed, tighten fasteners to specified torque

ARB 4x4 ACCESSORIES

Corporate Head Office

42-44 Garden St
Kilsyth, Victoria
AUSTRALIA 3137

Tel: +61 (3) 9761 6622
Fax: +61 (3) 9761 6807

Australian enquiries
North & South American enquiries
Other international enquiries

sales@arb.com.au
sales@arbusa.com
exports@arb.com.au

www.arb.com.au

IMPORTANT INFORMATION.

GENERAL CARE AND MAINTENANCE

By choosing ARB vehicle protection, you have bought a product that is one of the most sought after 4WD products in the world. Your under-vehicle protection panels are a properly engineered, reliable, quality accessory that represents excellent value.



- While these panels have been engineered for strength and functionality care and good judgment should be taken when traversing difficult off-road conditions to minimize damage to panels and vehicle.
- During servicing when panels are removed ensure fasteners are re-fitted to the correct torque values.
- Inspect panels visually on a regular basis. Dirt and foreign matter should be washed out to minimize build-up around hot components. **BE VERY CAREFUL** when removing foreign matter with hands while vehicle is hot or running. Replace any components as necessary. This service can be performed by your local authorized ARB Dealer.

FITTING REQUIREMENTS

REQUIRED TOOLS FOR FITMENT OF PRODUCT:

Basic Socket and Spanner Kit (Metric)	Torque Wrench (22Nm – 44Nm)
Trolley Jack or Axle Stands	Power Drill (if installing on Gen II)
8mm or 9mm Drill Bit (if installing on Gen II)	Center Punch (if installing on Gen II)
Engineers hammer	

HAVE AVAILABLE THESE SAFETY ITEMS WHEN FITTING PRODUCT:

Protective eyewear	
Hearing protection	

NOTE: ‘WARNING’ notes in the fitting procedure relate to OHS situations, where to avoid a potentially hazardous situation it is suggested that protective safety gear be worn or a safe work procedure be employed. If these notes and warnings are not heeded, injury may result.

FASTENER TORQUE SETTINGS:

SIZE	Torque Nm	Torque lb-ft
M6	9 Nm	7 lb-ft
M8	22 Nm	16 lb-ft
M10	44 Nm	32 lb-ft
M12	77 Nm	57 lb-ft

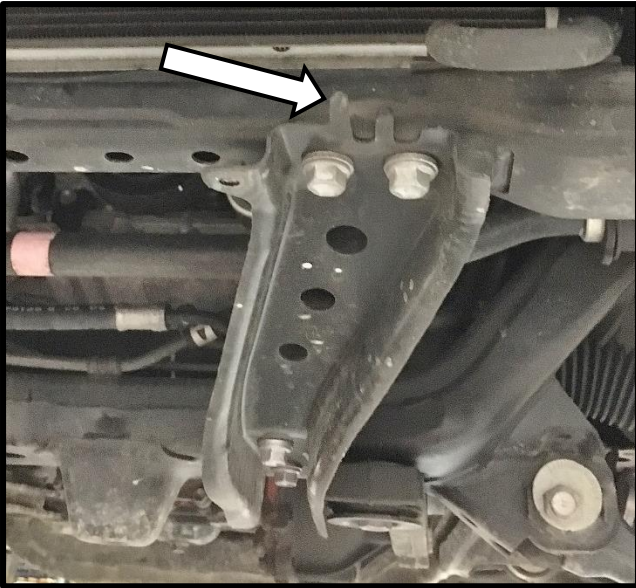
PARTS LISTING (Fit Kit # 6174214)

APPLICATION.	PART NO.	QTY	DESCRIPTION
Front Panel	6523131	1	Front Panel Weldment
	6151022	2	Hex Bolt M8 X 1.25 X 25mm
	6151083	2	Hex Bolt M8 X 1.25 X 35mm
	4581046	4	M8 Spring Washer
	4581044	4	M8 Flat Washer
2nd Panel (Differential Panel)	6523132	1	2 nd Panel Weldment
	6151022	3	Hex Bolt M8 X 1.25 X 25mm
	6151083	2	Hex Bolt M8 X 1.25 X 35mm
	4581046	5	M8 Spring Washer
	4581044	5	M8 Flat Washer
3rd Panel (Transmission Panel)	6523133	1	3 rd Panel Weldment
	3750015	1	Crossmember Bracket
	6151022	3	Hex Bolt M8 X 1.25 X 25mm
	6151040	2	Hex Bolt M10 X 1.25 X 30mm
	4581046	3	M8 Spring Washer
	4581044	3	M8 Flat Washer
	4581048	2	M10 Spring Washer
	4581040	6	M10 Flat Washer
6151478	2	Hex Flange Nut M10 X 1.25	
4th Panel (Transfer Case Panel)	6523134	1	4 th Panel Weldment
	6151022	7	Hex Bolt M8 X 1.25 X 25mm
	4581046	7	M8 Spring Washer
	4581044	7	M8 Flat Washer
	6151132	4	Hex Flange Nut M8 X 1.25

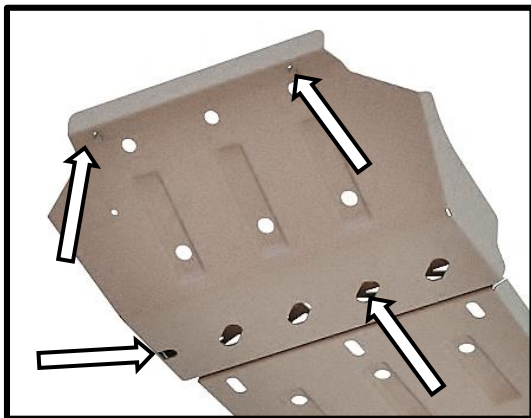
FITTING PROCEDURE



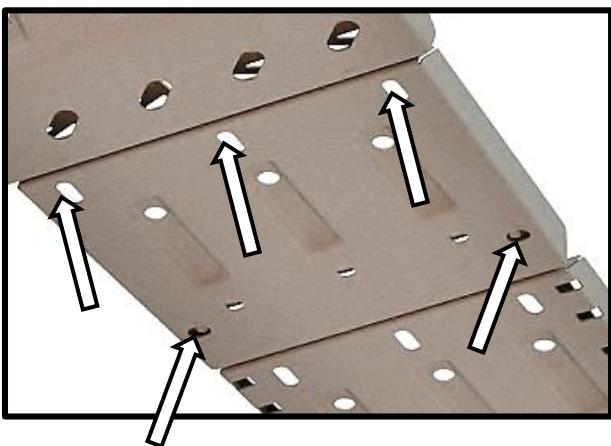
1. Remove all factory under vehicle protection panels from vehicle. These panels will not be re-installed.



2. Hammer the front right protection panel hook up and out of the way as shown.



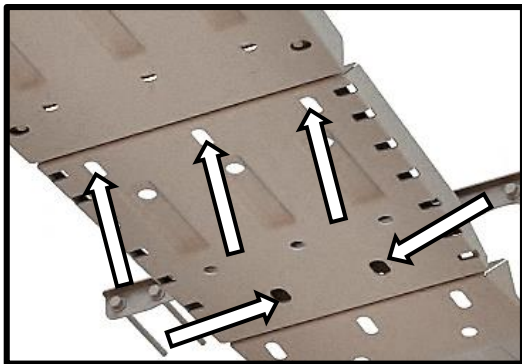
3. With the help of another person, hold the front panel to the vehicle and fasten (2) M8 x 25mm hex bolts, spring washer, and flat washer sets into the factory weld nut locations as shown in the front. Fasten the (2) M8 x 35mm hex bolts, spring washer, and flat washer sets into the factory weld nut locations towards the rear. Do not tighten these fasteners at this step.



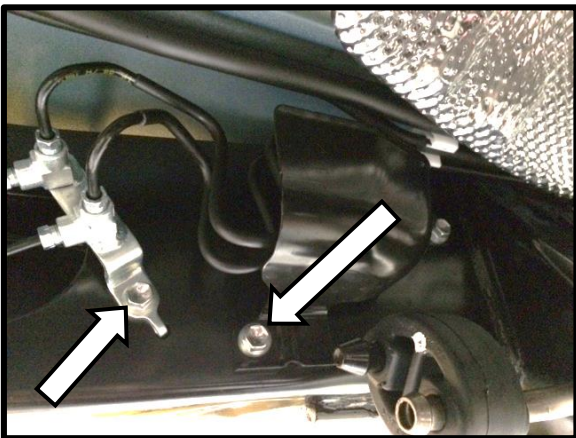
4. Hold the 2nd panel from the front up to the vehicle and fasten the (3) M8 x 25mm hex bolts, spring washer, and flat washer sets connecting this panel to the 1st panel. Fasten the (2) M8 x 35mm hex bolts, spring washer, and flat washer sets into the factory weld nut locations as shown. Do not tighten these fasteners at this step.



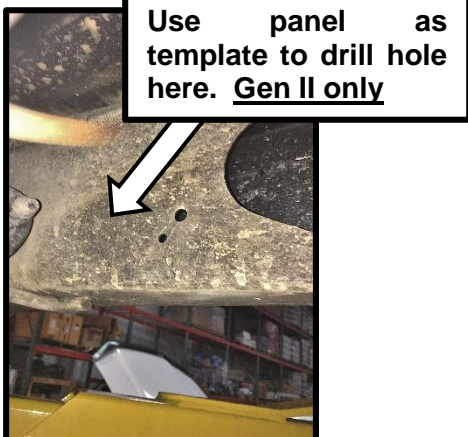
5. With a trolley jack or axle stand, support the center crossmember as shown. Remove the (2) bolts from both the right and left sides.
6. Install the 3rd panel crossmember brace on the **front** side of this crossmember, by using the factory bolt and nut sets. Place (1) M10 flat washer between the brace and the crossmember, at each bolt, to take up the space in the crossmember indentation. Do not tighten these fasteners at this step.



7. Hold the 3rd panel from the front up to the vehicle and fasten the (3) M8 x 25mm hex bolts, spring washer, and flat washer sets connecting this panel to the 2nd panel. Fasten the (2) M10 x 30mm hex bolts, spring washer, flat washer, and serrated nut sets connecting the 3rd panel to the crossmember brace installed in the previous step. Do not tighten these fasteners at this step.



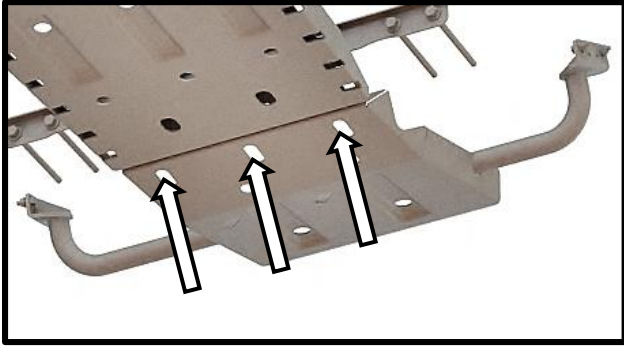
8. Remove the (2) hex bolts securing the fuel line bracket and cover shroud to the frame as shown in the picture (**note:** some variants of this truck do not have the fuel line shroud). Discard these fasteners, pull the fuel lines away from the frame to allow space for the 4th panel.



9. For Gen II Tacomas, the forward most hole is not predrilled into the frame of the vehicle. Using the 4th UVP panel as a template, match drill the frame to include these holes at Ø9.0mm.



Warning: Drilling operations can result in flying metal debris, safety glasses should be worn.



10. Hold the 4th panel from the front up to the vehicle and fasten the (3) M8 x 25mm hex bolts, spring washer, and flat washer sets connecting this panel to the 3rd panel. Do not tighten these fasteners at this step



11. Place the fuel line bracket over the 4th panel support plate as shown. Replace the fuel line shroud if equipped. For all holes with factory weld nuts in the frame, fasten with supplied M8 x 25mm hex bolts, spring washer, and flat washer sets. For the holes without factory weld nuts, use a M8 serrated flange nut to secure. Do not tighten these fasteners at this step.

12. Starting at the front of the vehicle moving rearwards, tighten each fastener to the specified torque values.

 **M8 22Nm 16 lb-ft**

 **M10 44Nm 32 lb-ft**

FITTED PRODUCT

