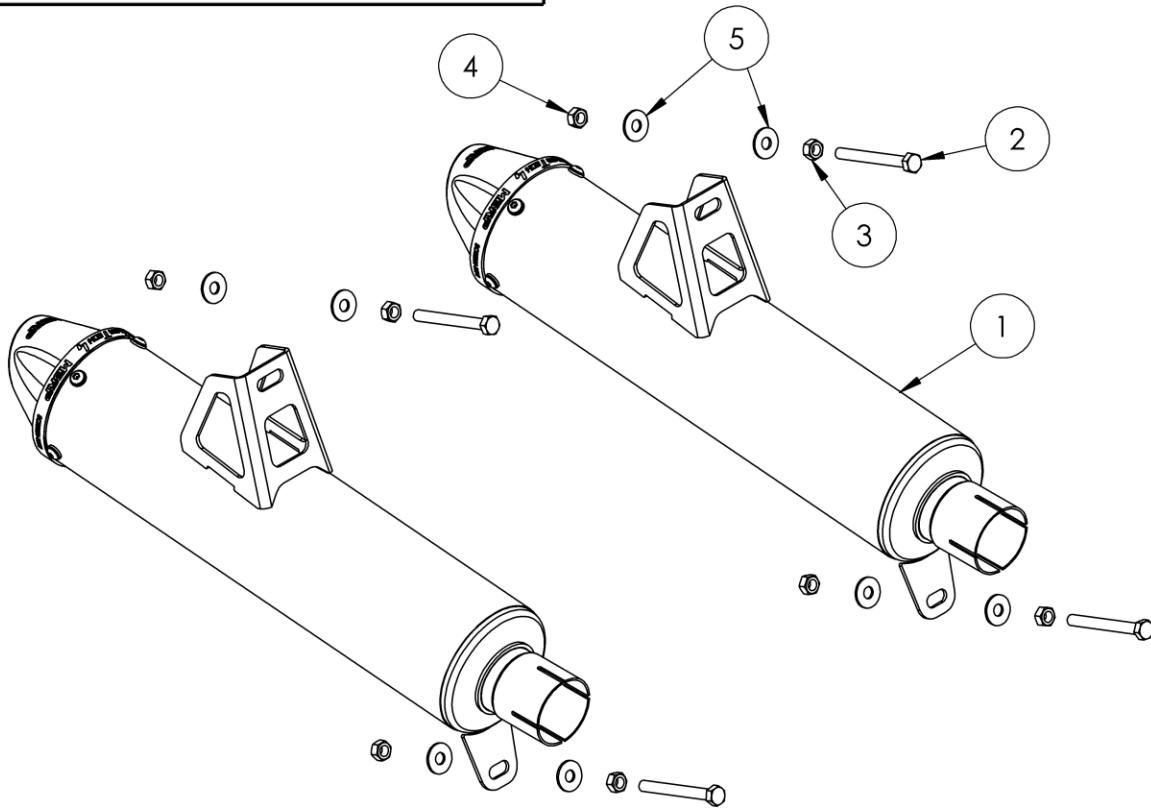


AT-9207PT

2013-2018 CAN-AM MAVERICK 1000,
2015-2017 CAN-AM MAVERICK 1000 TURBO,
DUAL SLIP-ON

MBRP®



| ITEM | DESCRIPTION | QTY |
|------|-------------------|-----|
| 1 | MUFFLER ASSEMBLY | 2 |
| 2 | 5/16" BOLT | 4 |
| 3 | 5/16" HEX NUT | 4 |
| 4 | 5/16" LOCK NUT | 4 |
| 5 | 5/16" FLAT WASHER | 8 |

PLEASE READ BEFORE STARTING INSTALLATION

While MBRP has made every effort to ensure that all components of this system are of superior quality and properly packaged, it is the installer's responsibility to ensure the following before removal of the factory exhaust:

- that ALL components shown above are present.
- that ALL mating components fit together.
- that there are no damaged components.
- that the system you have purchased is appropriate for your vehicle year, model and configuration.
- that the system will not interfere with any modifications previously installed or planned.
- that you have read and understand these instructions.

If you have any questions or are uncertain about any aspect of the installation of this system to your vehicle please contact your dealer before commencing installation.

MBRP®

Removal of Stock Exhaust:

1. Loosen the clamps at the muffler inlets.
2. Remove the mufflers by sliding the hangers out of the rubber isolators. You may need to remove the rubber isolators (see arrows) out of the vehicle frame.

Refer to Figure 1.

3. Remove the factory clamps from the mufflers; they will be used for the installation.

Installation of MBRP Exhaust:

1. Slide the **bolts** into the rubber isolators on the vehicle with the threaded end facing rearward. Install and tighten the **hex nuts** onto the bolts. Place one **flat washer** on each bolt, after the **hex nut**. Repeat for all four isolators.

Refer to Figure 2.

2. Slide the factory clamps onto the **muffler assemblies** so that the nuts will be accessible once the **muffler assemblies** are in place.

3. Slip the **muffler assembly** onto the exhaust pipe and guide the **bolts** (see arrows) into the mounting bracket slots. Repeat on the opposite side.

Refer to Figure 3.

4. Install a **flat washer** and a **lock nut** onto each bolt.

Refer to Figure 4.

5. Align the **muffler assemblies** with each other and the rear body work. Verify there is no interference with other vehicle components.

Refer to Figure 5.

6. Tighten the **lock nuts** and clamps. Ensure the **muffler assembly** inlets are tight on the exhaust pipes.

Note:

It is recommended that the muffler screws be retightened after the first ride and checked periodically thereafter, tightening if necessary.



Figure 1



Figure 2

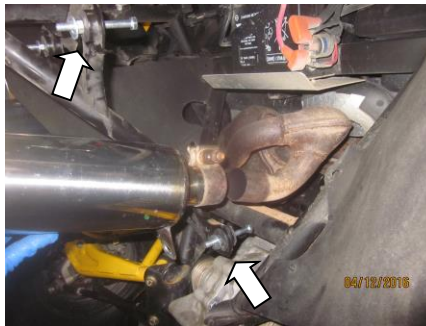


Figure 3



Figure 4



Figure 5

AT-9207PT © 10/24



Congratulations! You are ready to begin experiencing the improved performance and driving excitement of your **MBRP** ATV Exhaust upgrade. We know you will enjoy your purchase.

Spark Arrestor Maintenance

In order to maintain optimal performance, the spark arrestor screen should be cleaned after the first 3 hours of use. Afterwards, clean every 30-35 hours of use.



Figure 1



Figure 2



Figure 3



Figure 4

Clean-out Instructions:

Make sure the vehicle is cool before completing the clean-out procedure.

1. Using a 4mm hex key, remove the 4 screws securing the outlet cap or tip. **(Figure 1)**
2. Remove the outlet cap to expose the spark arrestor screen insert. **(Figure 2)**
3. Remove the screen insert. **(Figure 3)**
4. Using a wire brush, thoroughly brush the screen to remove residue. **(Figure 4)**
5. Replace the screen and cap.
6. Tighten the screws to 60 in-lbs (6.8 Nm).