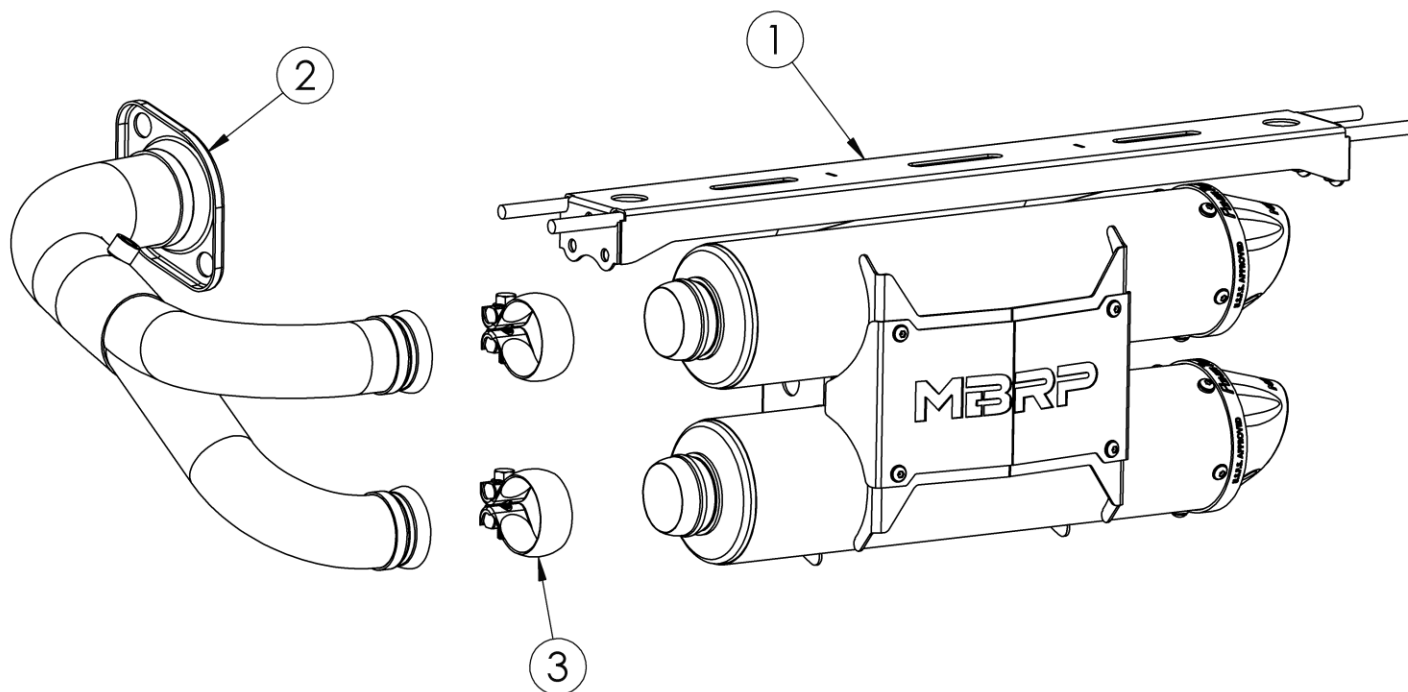


AT-9110PT

DUAL SLIP-ON MUFFLER ASSEMBLY
2019-UP, HONDA TALON, 1000

MBRP



ITEM NO.	DESCRIPTION	QTY.
1	MUFFLER ASSEMBLY	1
2	INLET PIPE	1
3	INLET CLAMP	2

PLEASE READ BEFORE STARTING INSTALLATION

While MBRP Ltd. has made every effort to ensure that all components of this system are of superior quality and properly packaged, it is the installer's responsibility to ensure the following before removal of the factory exhaust:

- that ALL components shown above are present.
- that ALL mating components fit together.
- that there are no damaged components.
- that the system you have purchased is appropriate for your vehicle year, model and configuration.
- that the system will not interfere with any modifications previously installed or planned.
- that you have read and understand these instructions.

If you have any questions or are uncertain about any aspect of the installation of this system to your vehicle please contact your dealer before commencing installation.

MBRP

Removal of Stock Exhaust:

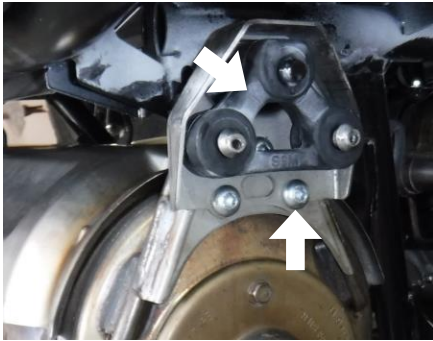


Figure 1



Figure 2

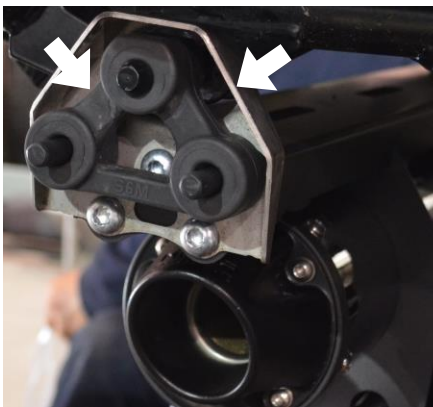


Figure 3

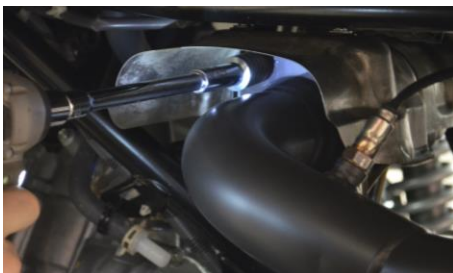


Figure 4



Figure 5

1. Remove the rear cover plate by removing the four (4) screws holding it in place .

2. Remove the sensor from the muffler inlet pipe.

3. Remove the rubber isolator from the hangers on the outlet end of the muffler, then remove the limiter bracket by removing the three (3) screws. Keep the isolator, screws, and limiter bracket as they will be reused. **Refer to Figure 1**

4. Loosen and remove the bolts (2) and springs (2) securing the muffler inlet flange to the front pipe. Keep the hardware as it will be reused. **Refer to Figure 2**

5. Remove the rubber isolator (do not discard) from the inlet side of the Muffler, then remove the muffler.

6. Remove the limiter bracket from the inlet end of the muffler by removing the three (3) screws. Again, keep the isolator, screws, and limiter bracket as they will be reused.

Installation of MBRP Exhaust:

1. Install one of the limiter brackets onto the inlet end of the main bracket on the **Muffler Assembly** using the screws (3) that were previously removed.

2. Put the **Muffler Assembly** in place with the limiter bracket over the hanger rod on the vehicle, and then install one of the rubber isolators to hold up the inlet side. While supporting the outlet side of the **Muffler Assembly**, install the second limiter bracket and rubber isolator. **Refer to Figure 3.**

3. Put the two (2) **Inlet Clamps** on the muffler inlets (not tightened), then put the **Inlet Pipe** in place (ensure the stock gasket is on the end of the front pipe) and loosely install the bolts (2) and springs (2) to hold the **Inlet Pipe** flange onto the front pipe. **Refer to Figure 4.**

4. Move the **Inlet Clamps** into place over the **Inlet Pipe** flares and tighten them just enough that they hold the **Inlet Pipe** in place, but are still free to rotate.

5. Centre the **Muffler Assembly** so that the hangers protrude equally from the rubber isolators on each side, and then fully tighten the **Inlet Clamps** (35Nm/26ft-lbs) and flange hardware on the **Inlet Pipe**. **Refer to Figures 4 & 5**

6. Reinstall the sensor into the port on the **Inlet Pipe**.



Congratulations! You are ready to begin experiencing the improved performance and driving excitement of your MBRP Exhaust upgrade. We know you will enjoy your purchase.



Figure 1



Figure 2



Figure 3



Figure 4

Spark Arrestor Maintenance

In order to maintain optimal performance, the spark arrestor screen should be cleaned after the first 3 hours of use. Afterwards, clean every 30-35 hours of use.

Clean-out Instructions:

Make sure the vehicle is cool before completing the clean-out procedure.

1. Using a 4mm hex key, remove the 4 screws securing the outlet cap or tip. **(Figure 1)**
2. Remove the outlet cap to expose the spark arrestor screen insert. **(Figure 2)**
3. Remove the screen insert. **(Figure 3)**
4. Using a wire brush, thoroughly brush the screen to remove residue. **(Figure 4)**
5. Replace the screen and cap.
6. Tighten the screws to 60 in-lbs (6.8 Nm).