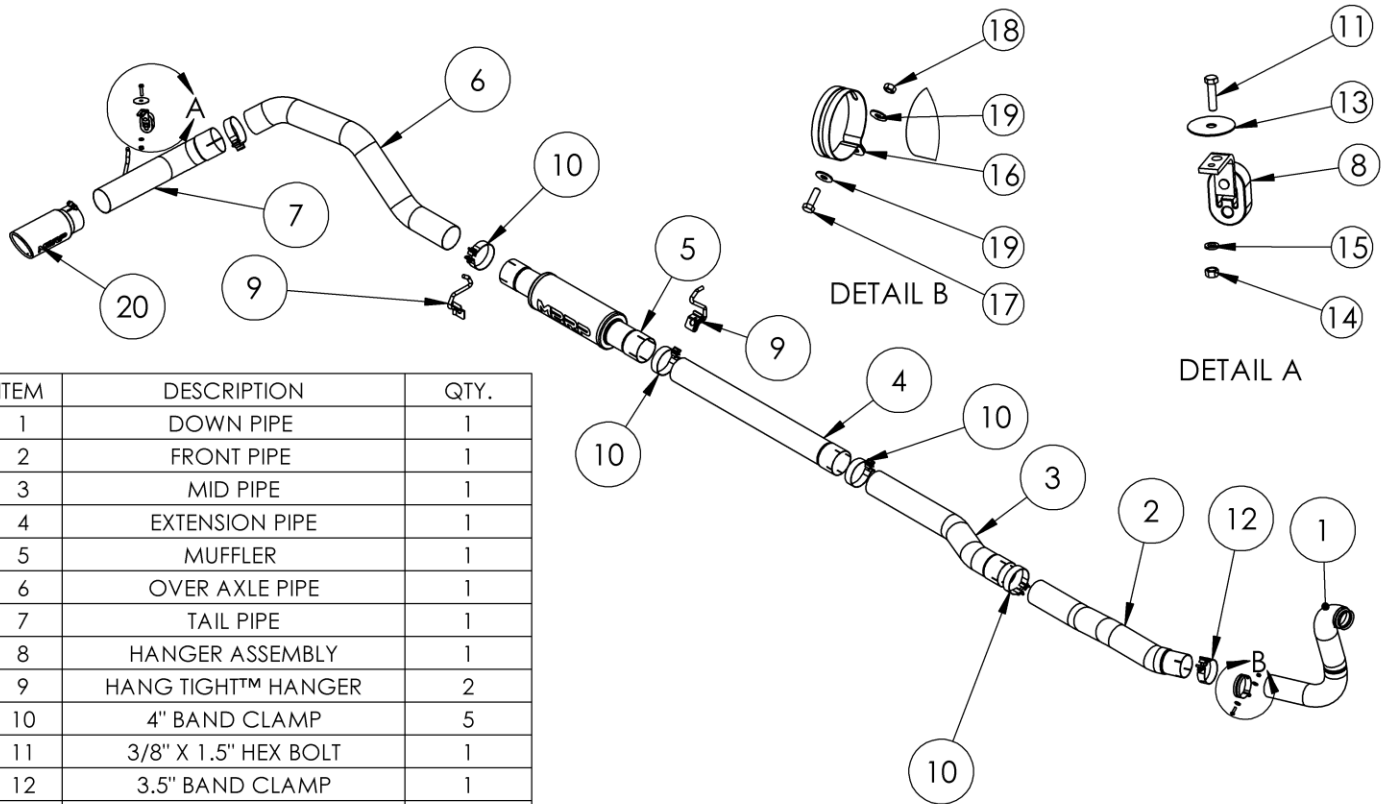


# S6148

1989-1993 Dodge DODGE CUMMINS (2WD),  
REG CAB LONG BOX. TURBO BACK , ,  
Turbo-Back, 4.0" Single Side, ,

# MBRP®



ITEM	DESCRIPTION	QTY.
1	DOWN PIPE	1
2	FRONT PIPE	1
3	MID PIPE	1
4	EXTENSION PIPE	1
5	MUFFLER	1
6	OVER AXLE PIPE	1
7	TAIL PIPE	1
8	HANGER ASSEMBLY	1
9	HANG TIGHT™ HANGER	2
10	4" BAND CLAMP	5
11	3/8" X 1.5" HEX BOLT	1
12	3.5" BAND CLAMP	1
13	7/16" FENDER WASHER	1
14	3/8" HEX NUT	1
15	3/8" LOCK WASHER	1
16	BAND CLAMP	1
17	5/16" HEX BOLT X 1"	1
18	5/16 NYLOC NUT	1
19	5/16" FLAT WASHER	2
20	EXHAUST TIP	1

Refer to this LOT NUMBER when contacting customer service: \_\_\_\_\_

## PLEASE READ BEFORE STARTING INSTALLATION

While MBRP has made every effort to ensure that all components of this system are of superior quality and properly packaged, it is the installer's responsibility to ensure the following before removal of the factory exhaust:

- that ALL components shown above are present.
- that ALL mating components fit together.
- that there are no damaged components.
- that the system you have purchased is appropriate for your vehicle year, model and configuration.
- that the system will not interfere with any modifications previously installed or planned.
- that you have read and understand these instructions.

If you have any questions or are uncertain about any aspect of the installation of this system to your vehicle please contact your dealer before commencing installation.

# MBRP®

## Removal of Stock System:



Figure 1



Figure 2



Figure 3



Figure 4



Figure 5

1. Apply a penetrating lubricant liberally to all exhaust fasteners, hangers and rubber insulators.

2. Remove the exhaust system from the rubber insulators and remove all of the clamps from the system. See Figures 1, 2 & 4.

3. Separate the slip joint behind the muffler and remove the tail pipe. Finally loosen the band clamp connecting the down pipe to the turbo and remove the down pipe. **Do not discard the band clamp as it is required for the installation.** See Figure 3.

## Installation of MBRP Performance Exhaust:

1. Install the **Down Pipe** in the same position as the stock down pipe attaching the flared end to the turbo using the stock band clamp. Do not fully tighten until all components are in place. The 3 1/2" **Clamp** is used to attach the **Down Pipe** to the existing mount using a 5/16" **Bolt, Washers** and **Nyloc Nut**. Refer to Figure 5.

2. Install the **Front Pipe** onto the **Down Pipe** using the 3.5" **Band Clamp**. Refer to Figure 7.

3. Install the **Mid Pipe** onto the **Front Pipe** using a 4" **Band Clamp**.

4. Install the **Extension Pipe** by attaching it to **Mid Pipe** and securing it with a 4" **Band Clamp** that is provided. The **Extension Pipe** may require trimming depending on the vehicle's wheelbase. (The **Extension Pipe** may not be required for regular cab short box models). Refer to Figure 8.

**Installation Tip:** Temporarily install the **Muffler** and **Tail Pipe** using the factory rubber insulators and the **Hang Tight™ Hanger**. (See Figure 6 for Hang Tight instructions). Measure from the **Muffler** to the **Extension Pipe** to determine the length of the pipes required (leave 3" overlap for each joint). Cut the pipes to the required length

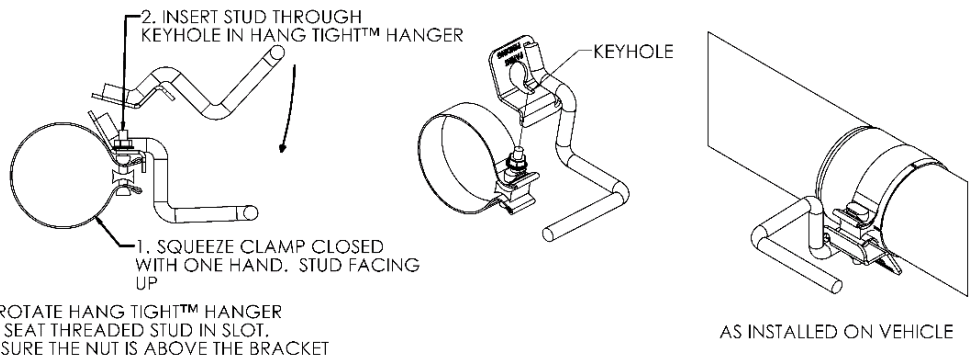


Figure 6 (Hang Tight™ Hanger not exactly as shown).

# MBRP®



**Figure 7**



**Figure 8**



**Figure 9**

(Hanger may not be same as shown)



**Figure 10**



**Figure 11**

5. Install the **Muffler** over the **Extension Pipe** so that the exhaust will flow smoothly over the louvers. Attach the **Muffler** using the **Hang Tight™ Hanger**. Install the **Hang Tight™ Hanger** into the existing rubber isolators. Refer to **Figure 9**.

6. Install the **Over Axle Pipe** into the **Muffler**. Refer to **Figure 9**.

7. Install the **Hanger Assembly** using the **3/8 x 1" Hex Bolt** and **7/16 Fender Washer** along with the **3/8 Lock Washer** and **3/8 Hex Nut**. Refer to **Figure 10**.

8. Install the **Tail Pipe** to the **Over Axle Pipe** using the remaining **4" Band Clamp** and install the hanger into the **Hanger Assembly** installed in **Step 6**. Refer to **Figure 11**.

9. Install and adjust the **Exhaust Tip** to suit. Tighten the bolt located on the **Exhaust Tip**.

10. Adjust the **Tail Pipe** and check along the full length of the exhaust system to ensure there is adequate clearance for fuel lines, vent lines, brake lines, frame, bodywork, suspension, and any wiring, etc. If there is any interference detected, relocate, or adjust to provide adequate clearance.

11. Ensure all clamp connections are secure and components are unable to rotate or slide. Band clamps require approximately 45 lb-ft (60 Nm) of torque. Verify clearances, system security and band clamp torque after 30-60 miles (50-100 km) of driving.



**Congratulations!** You are ready to begin experiencing the improved power, sound and driving excitement of your **MBRP** performance exhaust system. We know you will enjoy your purchase.