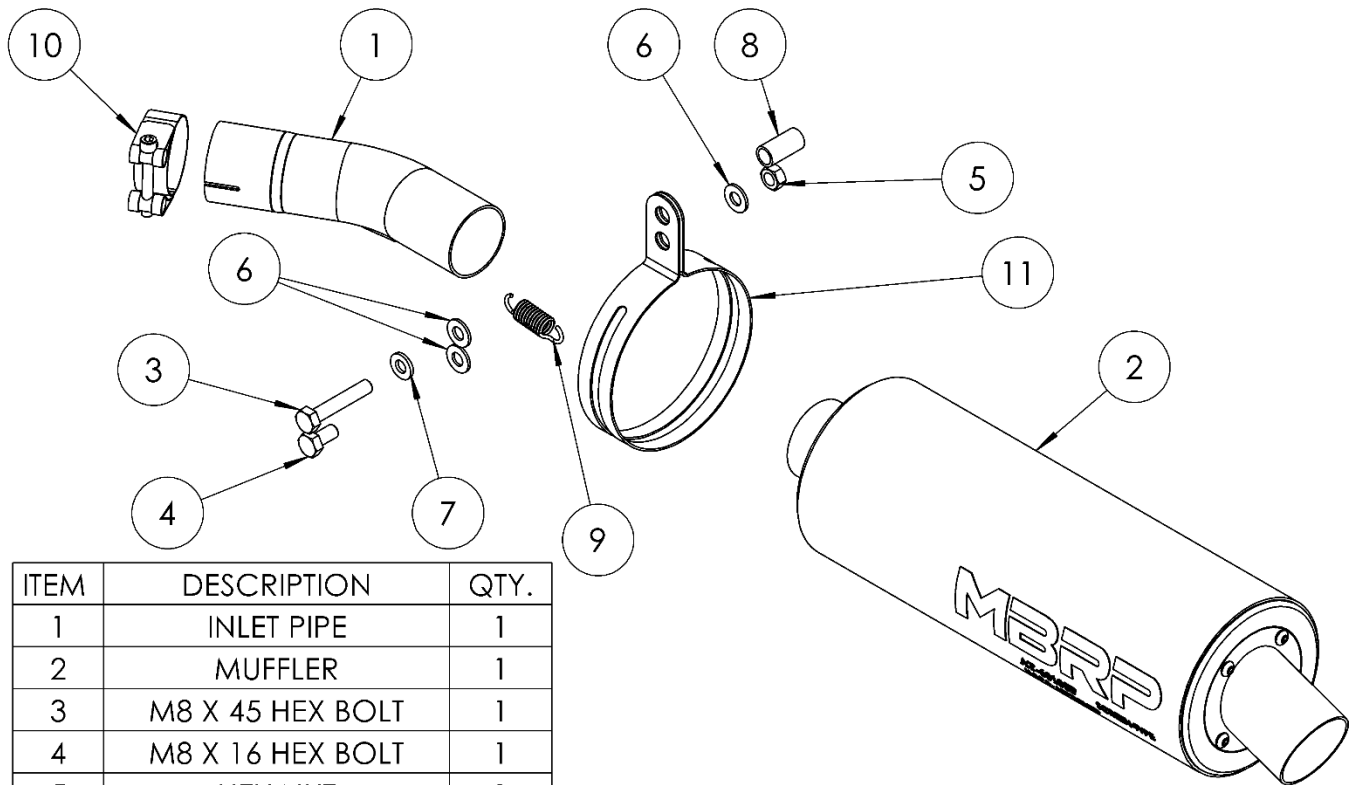


AT-6400SP

SPORT MUFFLER - SLIP-ON SYSTEM
2001-2005 YAMAHA YFM 660 RAPTOR,
2003-2004 YAMAHA YFM 660 RLE

MBRP®



ITEM	DESCRIPTION	QTY.
1	INLET PIPE	1
2	MUFFLER	1
3	M8 X 45 HEX BOLT	1
4	M8 X 16 HEX BOLT	1
5	HEX NUT	1
6	M8 WASHER	3
7	LOCK WASHER	1
8	SPACER	1
9	EXTENSION SPRING	1
10	1.75" CLAMP	1
11	4.5" CLAMP	1

PLEASE READ BEFORE STARTING INSTALLATION

While MBRP has made every effort to ensure that all components of this system are of superior quality and properly packaged, it is the installer's responsibility to ensure the following before removal of the factory exhaust:

- that ALL components shown above are present.
- that ALL mating components fit together.
- that there are no damaged components.
- that the system you have purchased is appropriate for your vehicle year, model and configuration.
- that the system will not interfere with any modifications previously installed or planned.
- that you have read and understand these instructions.

If you have any questions or are uncertain about any aspect of the installation of this system to your vehicle please contact your dealer before commencing installation.



Removal of Stock Exhaust

1. Loosen the clamp on the stock exhaust.
2. Remove the bolt that is securing the stock muffler in place, then remove the muffler.
3. Remove the gasket from the head pipe.

Installation of MBRP Exhaust

Note: High heat silicone may be desired at joints to prevent any exhaust leaks.

1. Assemble the **Inlet Pipe** into the **Muffler** with the spring tabs lined up on both.
2. Install the supplied **Extension Spring** between the **Muffler** and the **Inlet Pipe**.
3. Slide the **4.5" Clamp** over the **Muffler**, then slide the **1.75" Clamp** over the **Inlet Pipe**.
4. Slide the new system in from the rear of the bike until the **Inlet Pipe** fits over the original head pipe.
5. Install the **Muffler** with the **4.5" Clamp** using the **M8X16 and M8X45 Hex Bolts, M8 Washer, Lock Washer, and M8 Hex Nut**.
6. Starting at the front and working rearward, tighten all hardware and clamps while ensuring adequate vehicle clearance is maintained. Adjustment of the **Inlet Pipe** may be required to obtain optimal clearance.

Congratulations! You are ready to begin experiencing the improved performance and driving excitement of your **MBRP** Ltd. ATV Exhaust upgrade. We know you will enjoy your purchase.

MBRP®

Spark Arrestor Maintenance

In order to maintain optimal performance, the spark arrestor screen should be cleaned after every 30-35 hours of use.

Clean-out Instructions:

Make sure the vehicle is cool before completing the clean-out procedure.

1. Using a 1/8" hex key, remove the 4 screws securing the outlet cap. (Figure 1).
2. Remove the outlet cap to expose the spark arrestor screen insert. (Figure 2)
3. Remove the screen insert. (Figure 3)
4. Using a wire brush, thoroughly brush the screen to remove residue. (Figure 4)
5. Replace the screen and cap.
6. Tighten the screws to 23 in-lbs (2.6 Nm).



Figure 1



Figure 2



Figure 3



Figure 4