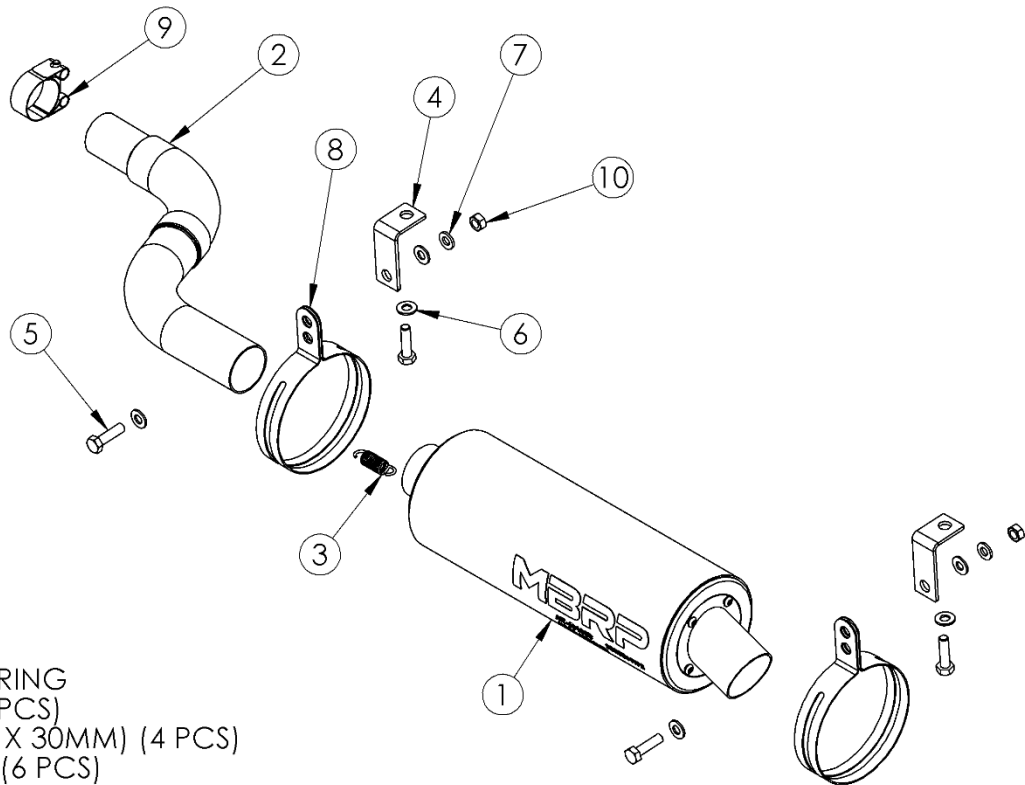


AT-6105SP

SPORT MUFFLER - SLIP-ON SYSTEM

1998-2004 HONDA TRX450 (ES/S/FE/FM) FOREMAN
1995-2003 HONDA TRX400FW FOREMAN

MBRP



1. MUFFLER
2. INLET PIPE
3. EXTENSION SPRING
4. L-BRACKET (2 PCS)
5. HEX BOLT (M8 X 30MM) (4 PCS)
6. FLAT WASHER (6 PCS)
7. LOCK WASHER (2 PCS)
8. MUFFLER BAND (2 PCS)
9. BARREL CLAMP
10. HEX NUT (2 PCS)

PLEASE READ BEFORE STARTING INSTALLATION

While MBRP has made every effort to ensure that all components of this system are of superior quality and properly packaged, it is the installer's responsibility to ensure the following before removal of the factory exhaust:

- that ALL components shown above are present.
- that ALL mating components fit together.
- that there are no damaged components.
- that the system you have purchased is appropriate for your vehicle year, model and configuration.
- that the system will not interfere with any modifications previously installed or planned.
- that you have read and understand these instructions.

If you have any questions or are uncertain about any aspect of the installation of this system to your vehicle please contact your dealer before commencing installation.

MBRP

AT-6105SP – 1998-2004 HONDA TRX450 FOREMAN
1995-2003 HONDA TRX400FW FOREMAN

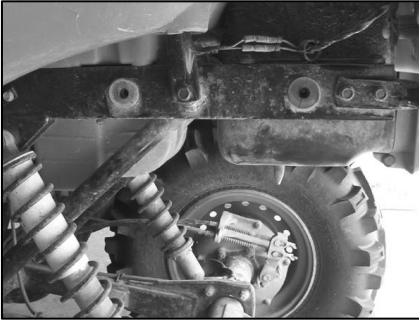


Figure 1

Removal of Stock Exhaust:

1. Remove the clamp at the slip joint ahead of the muffler.
2. Remove the bolts holding the muffler.
3. Pull the system out of the rear of the bike and remove the metallic gasket from the slip joint. **Refer to Figure 1 (Shows right rear wheel and stock exhaust system removed from bike).**

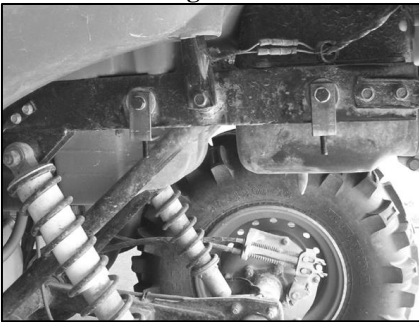


Figure 2

Installation of MBRP Exhaust:

1. Install the **90° brackets** on the frame with the **8mm x 30mm bolts**. Hang an **8mm x 30mm bolt** from each **90° bracket**. No original spacers are required for this installation. Do not tighten yet, wait until the complete system is installed. **Refer to Figure 2.**
2. On the bench, slide **Inlet Pipe** into the expanded end of the **Muffler** so that the **Spring** mounts will line up on both. **Refer to Figure 3.**
3. Install the **Spring** to hold the **Inlet Pipe** to the **Muffler**.
4. Slide the new exhaust system in from the rear of the bike twisting back and forth until the **Inlet Pipe** fits snug on the head pipe. Slide each **Muffler band** over the muffler and line them up with the **90° brackets** on the frame. Squeeze both muffler **Clamps** together and install the **flat washers** and the **Nylok nuts** and then tighten.
5. Now with the new system installed, tighten both **8mm x 30mm bolts** holding the **90° brackets** to the frame. **Refer to Figure 4.**



Figure 3

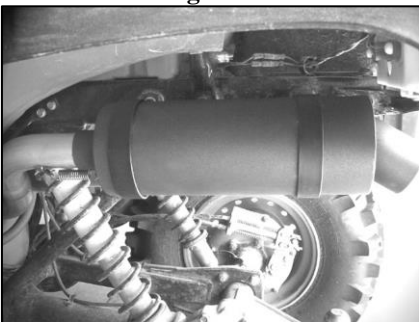


Figure 4

Congratulations! You are ready to begin experiencing the improved performance and driving excitement of your MBRP ATV Exhaust upgrade. We know you will enjoy your purchase.