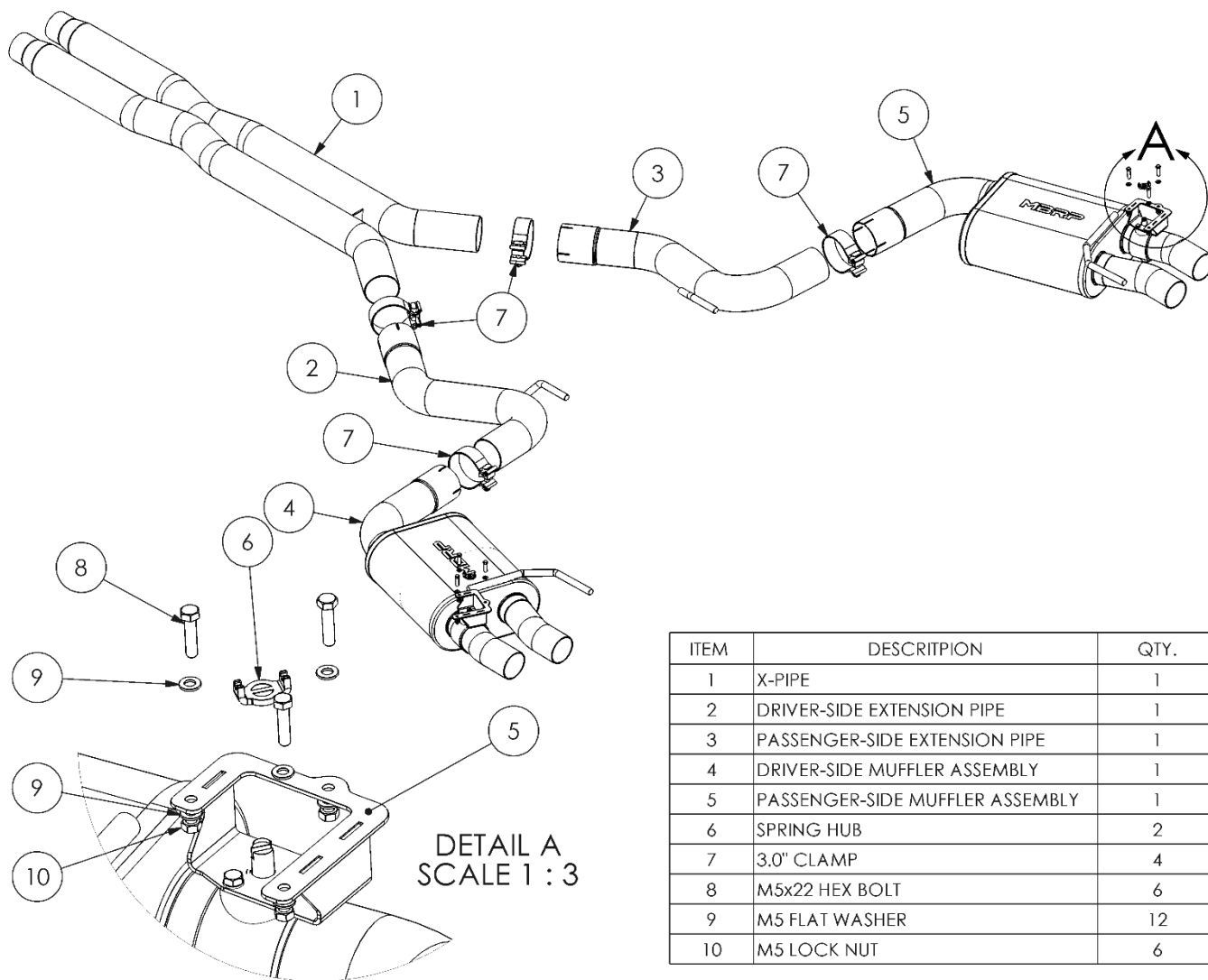


S7201

2016-2020 MUSTANG GT350/GT350R CAT
BACK - ACTIVE

MBRP®



ITEM	DESCRIPTION	QTY.
1	X-PIPE	1
2	DRIVER-SIDE EXTENSION PIPE	1
3	PASSENGER-SIDE EXTENSION PIPE	1
4	DRIVER-SIDE MUFFLER ASSEMBLY	1
5	PASSENGER-SIDE MUFFLER ASSEMBLY	1
6	SPRING HUB	2
7	3.0" CLAMP	4
8	M5x22 HEX BOLT	6
9	M5 FLAT WASHER	12
10	M5 LOCK NUT	6

PLEASE READ BEFORE STARTING INSTALLATION

While MBRP has made every effort to ensure that all components of this system are of superior quality and properly packaged, it is the installer's responsibility to ensure the following before removal of the factory exhaust:

- that ALL components shown above are present.
- that ALL mating components fit together.
- that there are no damaged components.
- that the system you have purchased is appropriate for your vehicle year, model and configuration.
- that the system will not interfere with any modifications previously installed or planned.
- that you have read and understand these instructions.

If you have any questions or are uncertain about any aspect of the installation of this system to your vehicle please contact your dealer before commencing installation.

Removal of Stock System



Figure 1



Figure 2



Figure 3



Figure 4



1. Apply a penetrating lubricant liberally to all exhaust fasteners, hangers and rubber insulators.

2. Remove the lower pan to gain access to the exhaust
Refer to Figure 1.

3. Disconnect the exhaust valve wiring connectors located near the muffler hangers. This will leave the short wiring harness's connected to the actuators.
Refer to Figure 2.

4. Remove the M8 bolts from the mid hanger brackets and remove them from the vehicle. Retain these parts as they will be reused.
Refer to Figure 3.

5. Loosen both clamps ahead of the x pipe, lift the lock tabs and slide the clamps rearward to disconnect the OEM catback exhaust. Use caution, The OEM catback is one piece and heavy.
Refer to Figure 4.

6. Remove the OEM catback by lowering the inlet end and sliding the assembly forward to remove it from the rear hangers. Remove the OEM clamps as they will be reused.

7. Unbolt and remove the rear hanger brackets. Retain these parts, they will be reused.

8. Unbolt and remove both exhaust valve actuators, wiring harnesses, and the coupling springs. Mark the actuators as driver side and passenger side for easier installation on the **MBRP** Cat Back.

MBRP

Figure 5

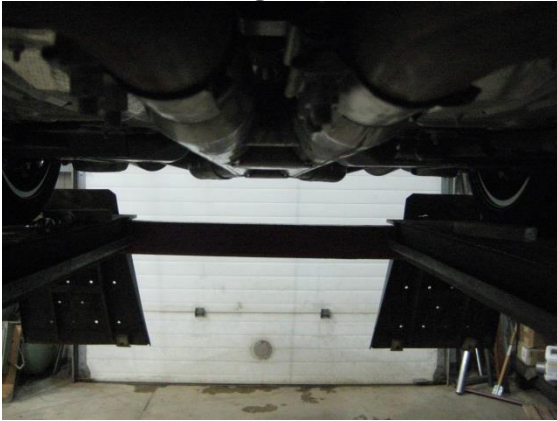


Figure 6



Figure 7



Figure 8

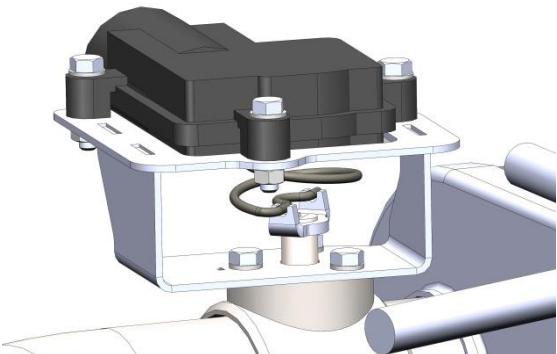


Figure 9

Installation of MBRP Performance Exhaust

1. Install the previously removed clamps onto the inlets of the **X Pipe** and install the assembly onto the vehicle with the flat side of the pipe support bracket facing the ground. Tighten the clamps enough to allow for adjustment while ensuring the **X Pipe** is level as viewed from the rear of the car.

Refer to Figures 5 and 6.

2. Install a **3" Clamp** onto each of the **X Pipe** outlets. Install the **Driver-Side Extension Pipe** onto the outlet of the **X Pipe**. Do not install the mid hanger bracket at this time. Tighten the **3" Clamp** enough to allow for pipe alignment.

Refer to Figure 7.

3. Install a **Spring Hub** onto the shaft of the exhaust valve on the **Driver-Side Muffler Assembly**.

Refer to Figure 8.

4. Install the driver side OEM valve actuator onto the **Driver-Side Muffler Assembly** being sure the lower legs of the coupling spring engage the notched legs of the **Spring Hub**. Secure the actuator using the supplied **M5x22 Hex Bolts**, **M5 Flat Washers**, and **M5 Lock Nuts**.

Refer to Figure 9.

5. Install a **3" Clamp** onto the outlet of the **Driver-Side Extension Pipe**. Install the rear hanger bracket onto the **Driver-Side Muffler Assembly** before installing it onto the outlet of the **Driver-Side Extension Pipe**.

6. Swing the **Driver-Side Muffler Assembly** up into position by first aligning the muffer outlets in the exhaust openings of the rear fascia, then lifting the **Driver-Side Muffler Assembly** and the **Driver-Side Extension Pipe** up into position. Reinstall the mid hanger bracket followed by the rear hanger bracket and secure with the previously removed M8 bolts. Tighten the **3" Clamp** enough to allow for pipe alignment.

7. Repeat steps 2-6 for the passenger side components.

MBRP

8. Re-connect both exhaust valve actuator wiring harnesses.
9. Align the exhaust as required to center the muffler outlets in the rear fascia. Align the edge of each band clamp with the edge of the joint it is connecting. Tighten all hardware and clamps, starting at the front and working rearward to secure the system. Check along the full length of the exhaust system to ensure there is adequate clearance for fuel lines, vent lines, brake lines, frame, bodywork, suspension and any wiring, etc. If there is any interference detected, relocate or adjust to provide adequate clearance. Ensure all clamp connections are secure and components are unable to rotate or slide. Band clamps require approximately 45 lb-ft (60 N-m) of torque. Verify clearances, system security and band clamp torque after 30-60 miles (50-100 km) of driving..
10. Re-install the lower pan with the previously removed hardware.

Congratulations! You are ready to begin experiencing the improved performance and driving pleasure of your **MBRP** performance exhaust system. We know you will enjoy your purchase.