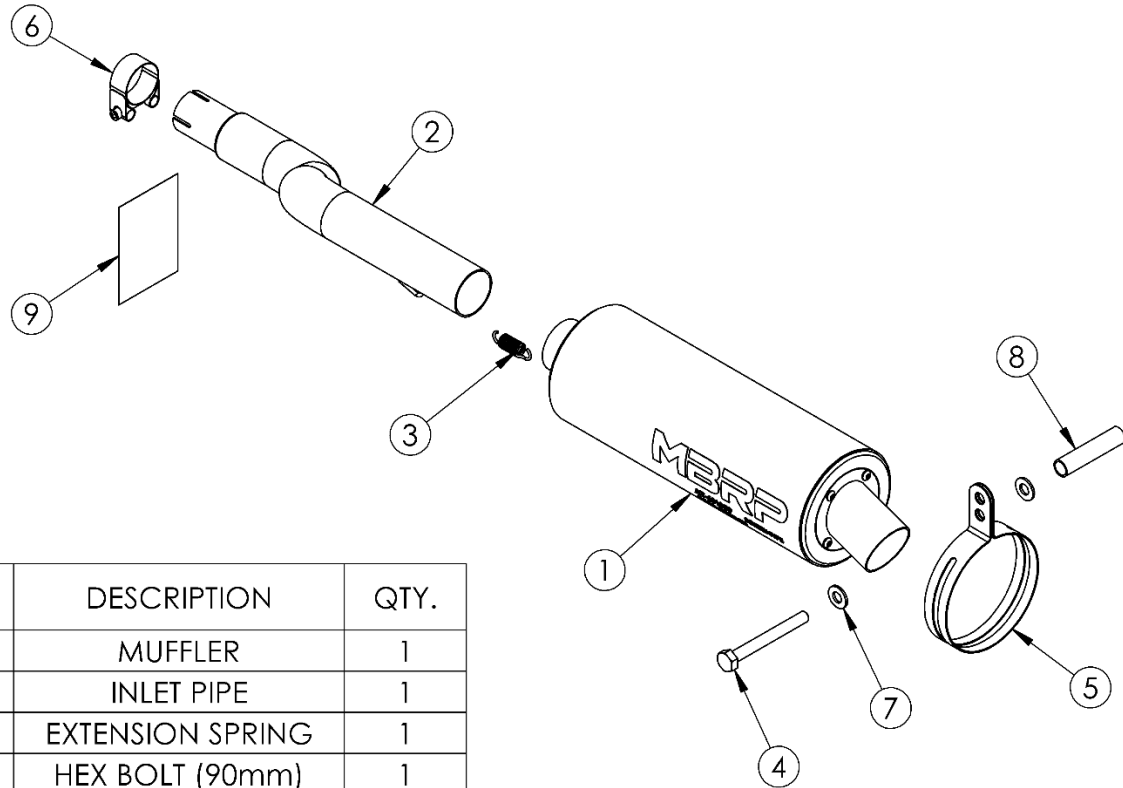


AT-6104SP

SPORT MUFFLER - SLIP-ON SYSTEM
2005-2008 HONDA TRX500 FA/FGA
2009 HONDA TRX500 FA/FPA
2011-2014 HONDA TRX500 FA/FPA

MBRP



ITEM NO.	DESCRIPTION	QTY.
1	MUFFLER	1
2	INLET PIPE	1
3	EXTENSION SPRING	1
4	HEX BOLT (90mm)	1
5	4.5" CLAMP	1
6	1.5" CLAMP	1
7	M10 FLAT WASHER	2
8	SPACER	1
9	FOIL TAPE	1

PLEASE READ BEFORE STARTING INSTALLATION

While MBRP has made every effort to ensure that all components of this system are of superior quality and properly packaged, it is the installer's responsibility to ensure the following before removal of the factory exhaust:

- that ALL components shown above are present.
- that ALL mating components fit together.
- that there are no damaged components.
- that the system you have purchased is appropriate for your vehicle year, model and configuration.
- that the system will not interfere with any modifications previously installed or planned.
- that you have read and understand these instructions.

If you have any questions or are uncertain about any aspect of the installation of this system to your vehicle please contact your dealer before commencing installation.

MBRP

AT-6104SP – 2005-2008 HONDA TRX500 FA/FGA
2009 HONDA TRX500 FA/FPA
2011-2014 HONDA TRX500 FA/FPA

Removal of Stock Exhaust:



Figure 1

1. Remove the seat and left-hand panels (body panel and engine cover) to access the clamp at the slip joint ahead of the stock muffler. Remove / loosen the clamp at the slip joint.

2. Remove the bolt securing the muffler to the frame.

3. Pull the exhaust out from the rear of the bike and remove the gasket at the slip joint.

Installation of MBRP Exhaust:



Figure 2

1. Before installing, slide the **Inlet Pipe** into the inlet end of the **Muffler** so that the **Spring** mounts line up on both. *Note, it is recommended to use high-temperature silicone sealant at all slip joint connections.

2. Install the **Spring** to hold the **Inlet Pipe** to the **Muffler**

3. Place the supplied **1.5" Clamp** over the slotted end of the inlet pipe, ensuring it is snug enough to stay in position.



Figure 3

4. Slide the new exhaust system in from the rear of the bike and slide the **Inlet Pipe** onto the head pipe (**Refer to Figure 1**). Carefully slide the **4.5" Clamp** over the muffler and line it up with the mounting point on the frame. Squeeze the **4.5" Clamp** together and install the **Hex Bolt** (through the lower clamp hole) to the frame using the **Flat washers** and **Spacer**. **Refer to Figure 2**

5. Ensure that the **Inlet Pipe** is in the correct position (fully onto the head pipe, rotated to maximize vehicle clearances, and aligned to keep the muffler straight), then tighten the **1.5" Clamp**. **Refer to Figure 3**

6. Ensure that the **Muffler** is in the desired position (rotate if necessary), then tighten the **Hex Bolt** to the vehicle frame to secure the **4.5" Clamp** around the muffler. **Refer to Figure 3**



Figure 4

7. Place the **Foil Tape** onto the inner wheel fender in the area closest to the inlet pipe. **Refer to Figure 4**

Congratulations! You are ready to begin experiencing the improved performance and driving excitement of your MBRP ATV Exhaust upgrade. We know you will enjoy your purchase.