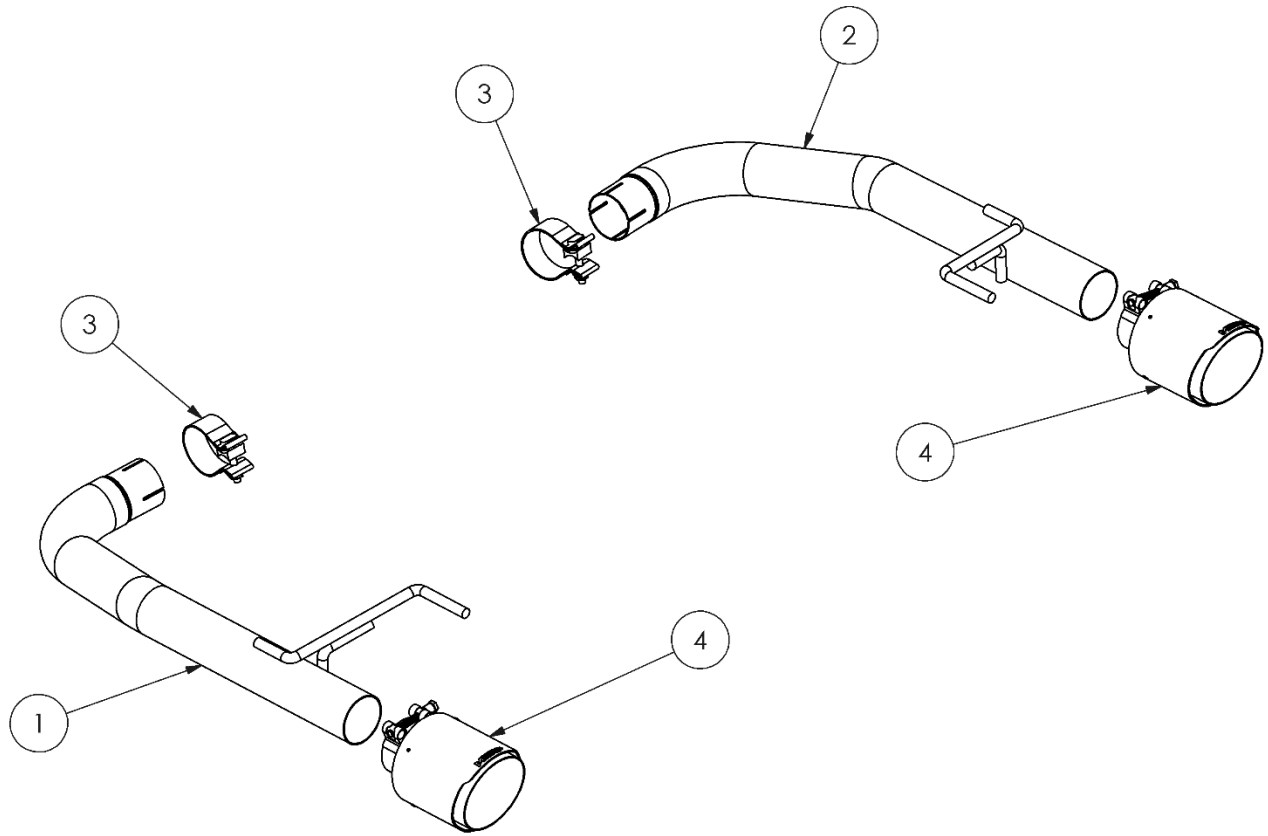


S7247

2015-2024 FORD MUSTANG, 2.3L ECOBOOST,
AXLE-BACK, 2.5" DUAL REAR EXIT,
EXCL. VEHICLES EQUIPPED WITH QUAD REAR
EXIT EXHAUST

MBRP®



| ITEM | DESCRIPTION | QTY |
|------|------------------------------|-----|
| 1 | DRIVERS-SIDE PIPE ASSEMBLY | 1 |
| 2 | PASSENGER-SIDE PIPE ASSEMBLY | 1 |
| 3 | 2.25" CLAMP | 2 |
| 4 | EXHAUST TIP | 2 |

Refer to this LOT NUMBER when contacting customer service: _____

PLEASE READ BEFORE STARTING INSTALLATION

While MBRP has made every effort to ensure that all components of this system are of superior quality and properly packaged, it is the installer's responsibility to ensure the following before removal of the factory exhaust:

- that ALL components shown above are present.
- that ALL mating components fit together.
- that there are no damaged components.
- that the system you have purchased is appropriate for your vehicle year, model and configuration.
- that the system will not interfere with any modifications previously installed or planned.
- that you have read and understand these instructions.

If you have any questions or are uncertain about any aspect of the installation of this system to your vehicle please contact your dealer before commencing installation.

MBRP

Removal of Stock System

Note: Installation requires cutting the OEM exhaust



Figure 1



Figure 2

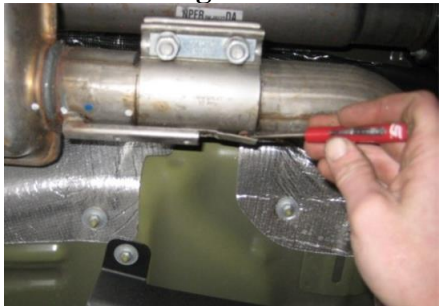


Figure 3



Figure 4



Figure 5

1. Apply penetrating lubricant liberally to all exhaust fasteners, hangers, and rubber insulators.

2. Convertibles require removal of the 2-piece under-car brace.
Refer to Figure 1.

3. Remove the bolts from the mid hanger brackets then remove them from the vehicle. Retain these parts as they will be reused.
Refer to Figure 2.

4. Loosen both clamps ahead of the resonator, lift the lock tabs and slide the clamps rearward to disconnect the OEM factory exhaust. Use caution, the OEM factory exhaust is one piece and heavy.

5. Remove the OEM factory exhaust by lowering the inlet end, then sliding the assembly forward to remove it from the rear hangers.

Installation of MBRP Performance Exhaust

1. Cut the mufflers and inlet elbows off at the end of the short straight section of tubing on the OEM factory exhaust. There should be approx. 2" of straight tubing remaining on the OEM factory exhaust. It is critical that this straight length of tubing remain on the OEM factory exhaust to allow for installation.

Refer to Figures 4 and 5.

2. Install the modified OEM factory exhaust in the reverse order of the description above while leaving the clamps and brackets loose.

3. Install a 2.5" Clamp onto the inlet of the **Passenger-Side Pipe Assembly**. Slide the hanger on the **Passenger-Side Pipe Assembly** into the rear hanger insulator, followed by sliding the expanded end of the **Passenger-Side Pipe Assembly** onto the cut end of the OEM factory exhaust pipe.

Refer to Figures 6 and 7.

4. Repeat **Step 3** to install the **Driver-Side Pipe Assembly**.
Refer to Figures 8.

5. Install both **Tips** and tighten just enough to allow for adjustment.

MBRP



Figure 6

7. Carefully align all parts of the system to achieve the best possible fit with the **Tips** centered in the fascia openings. Take time now and check alignment each time you tighten a joint.

Note: The mid hanger brackets in **Figure 2** can be used to help center the **Tips** in the fascia. Once all clamps are tight, adjust the mid hanger brackets to fine tune the placement of the **Tips** then tighten the bolts.



Figure 7

8. Carefully align the system and tips. Align the edge of each band clamp with the edge of the joint it is connecting. Tighten all hardware and clamps, starting at the front and working rearward to secure the system. Check along the full length of the exhaust system to ensure there is adequate clearance for fuel lines, vent lines, brake lines, frame, bodywork, suspension and any wiring, etc. If there is any interference detected, relocate or adjust to provide adequate clearance. Ensure all clamp connections are secure and components are unable to rotate or slide. Band clamps require approximately 45 lb-ft (60 N-m) of torque. Verify clearances, system security and band clamp torque after 30-60 miles (50-100 km) of driving.



Figure 8



Congratulations! You are ready to begin experiencing the improved power, sound and driving experience of your **MBRP** Performance Exhaust. We know you will enjoy your purchase!