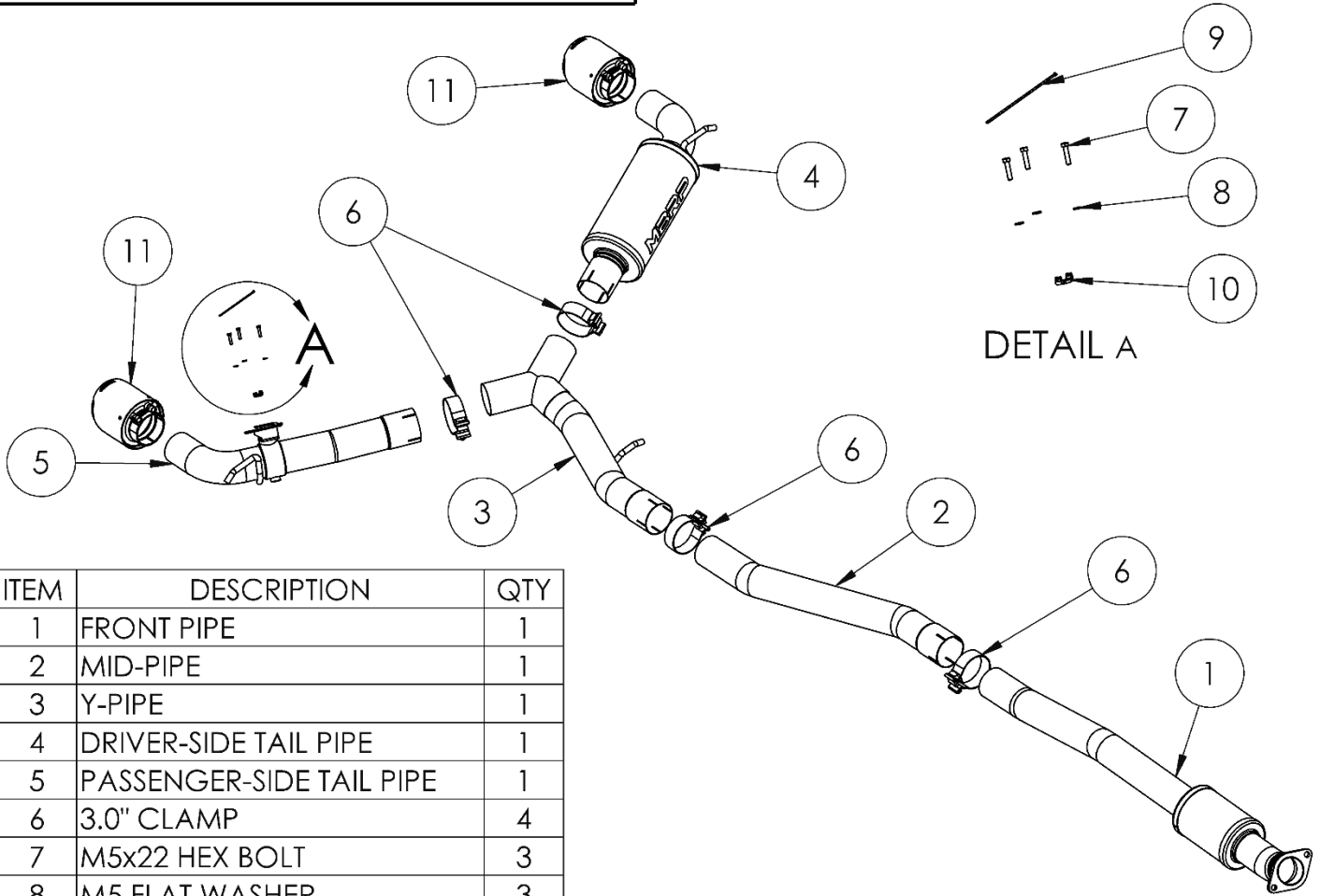


S4709

2022-2023 HYUNDAI KONA N, 2.0L TURBO,
CAT-BACK, 3.0" DUAL REAR, ACTIVE

MBRP®



ITEM	DESCRIPTION	QTY
1	FRONT PIPE	1
2	MID-PIPE	1
3	Y-PIPE	1
4	DRIVER-SIDE TAIL PIPE	1
5	PASSENGER-SIDE TAIL PIPE	1
6	3.0" CLAMP	4
7	M5x22 HEX BOLT	3
8	M5 FLAT WASHER	3
9	CABLE TIE	1
10	SPRING HUB	1
11	TIP	2

Refer to this LOT NUMBER when contacting customer service: _____

PLEASE READ BEFORE STARTING INSTALLATION

While MBRP has made every effort to ensure that all components of this system are of superior quality and properly packaged, it is the installer's responsibility to ensure the following before removal of the factory exhaust:

- that ALL components shown above are present.
- that ALL mating components fit together.
- that there are no damaged components.
- that the system you have purchased is appropriate for your vehicle year, model and configuration.
- that the system will not interfere with any modifications previously installed or planned.
- that you have read and understand these instructions.

If you have any questions or are uncertain about any aspect of the installation of this system to your vehicle please contact your dealer before commencing installation.

MBRP



Figure 1

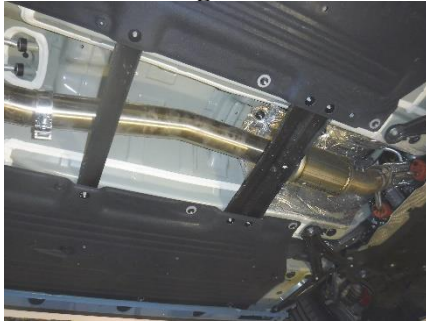


Figure 2



Figure 3



Figure 4

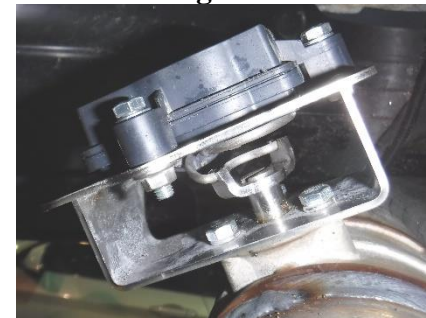


Figure 5

Removal of Stock System

1. Apply penetrating lubricant liberally to all exhaust fasteners, hangers, and rubber insulators.
2. Disconnect the exhaust valve actuator electrical connection on the passenger-side. There is a small tab to press down to unlock the connector. Unhook the wiring harness support from the chassis (circled) to allow extra length for the installation.
Refer to Figure 1.
3. Remove the front pipe nuts after the catalytic converter and save the nuts for the installation.
4. With the rear of the exhaust system supported, remove the factory insulators from the vehicle. Retain the insulators for the installation.
5. Remove the exhaust system from the vehicle. Ensure the factory gasket remains on the catalytic converter for installation.
6. Remove the valve actuator from the factory system. The factory flange nuts, drive spring and actuator will be reused for the installation.

Installation of **MBRP** Performance Exhaust

1. Using the factory nuts removed in Step 3, loosely attach the **Front Pipe** onto the catalytic converter.
Refer to Figure 2.
2. Using a **3.0" Clamp**, loosely install the **Mid-Pipe** onto the **Front Pipe**.
Refer to Figure 3.
3. Using a **3.0" Clamp**, loosely install the **Y-Pipe** onto the **Mid-Pipe**. Reinstall the factory rubber insulator.
Refer to Figure 4.
4. Install the **Spring Hub** and valve actuator onto the **Passenger-Side Tail Pipe** using the factory flange nuts, **M5x22 Hex Bolts**, and **Flat Washers**. Ensure the valve is open and the drive spring is in the **Spring Hub** correctly.
Refer to Figure 5.
5. Using a **3.0" Clamp**, loosely install the **Passenger-Side Tail Pipe** onto the **Y-Pipe**. Reinstall the factory rubber insulator.
Refer to Figure 6.

MBRP

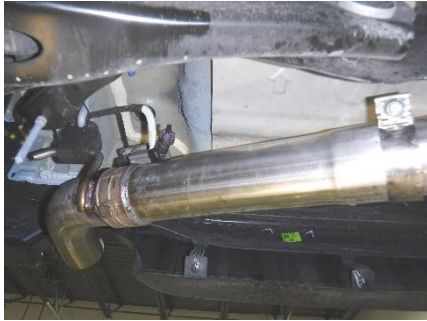


Figure 6



Figure 7



Figure 8



Figure 9



Figure 10

6. Using a **3.0" Clamp**, loosely install the **Driver-Side Tail Pipe** onto the **Y-Pipe**. Reinstall the factory rubber insulator. Refer to **Figure 7**.

7. Install the **Tips** and adjust to you liking. Refer to **Figures 8 and 9**.

8. Re-connect the exhaust valve actuator electrical connection. Secure the wiring to the chassis exhaust hanger using the **Cable tie**, ensuring the wiring will not contact the **Passenger-Side Tail Pipe** but be loose enough to move with the exhaust.

Refer to **Figure 10**.

9. Carefully align the system, centering the **Tips** with the factory fascia openings. Align the edge of each band clamp with the edge of the joint it is connecting. Tighten all hardware and clamps, starting at the front and working rearward to secure the system. Check along the full length of the exhaust system to ensure there is adequate clearance for fuel lines, vent lines, brake lines, frame, bodywork, suspension and any wiring, etc. If there is any interference detected, relocate or adjust to provide adequate clearance. Ensure all clamp connections are secure and components are unable to rotate or slide. Band clamps require approximately 45 lb-ft (60 N-m) of torque. Verify clearances, system security and band clamp torque after 30-60 miles (50-100 km) of driving.



Congratulations! You are ready to begin experiencing the improved power, sound and driving experience of your **MBRP** Performance Exhaust. We know you will enjoy your purchase!