



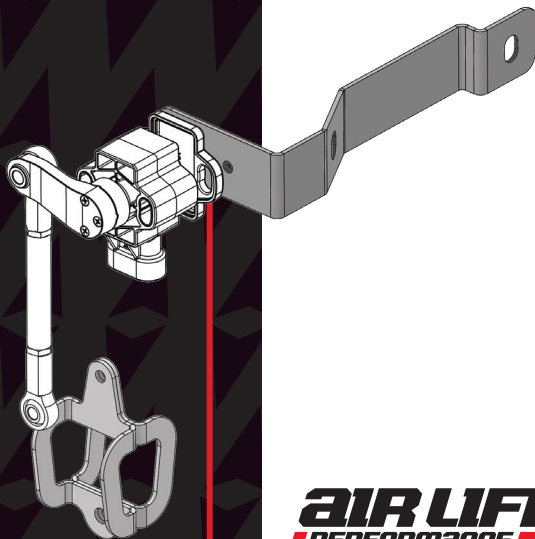
Kit 14033

BMW M3/M4

F80 F82 F83

Front and Rear Applications

Height sensor
brackets



AIR LIFT
PERFORMANCE

INSTALLATION GUIDE

For maximum effectiveness and safety,
please read these instructions completely
before operating.

*Failure to read these instructions can result in an
incorrect installation.*

Introduction

The purpose of this publication is to assist with the installation of the Air Lift Performance 3H height sensor bracket kit. The height sensors, sensor arms, linkages and all hardware are included with the 3H kit.

Read the entire user guide before beginning the installation. The information includes step-by-step instructions for the installation of the brackets. This kit is designed to work in conjunction with the 3H control system. Development was done on a 2014 BMW M4 with stock suspension. Modifications might be necessary if using a different configuration. See the 3H instruction guide and user's guide for additional information about setting up the 3H system.

Air Lift Company reserves the right to make changes and improvements to its Air Lift Performance products and publications at any time. For the latest version of this manual, contact Air Lift Company at **(800) 248-0892** or visit **www.airliftperformance.com**. If replacement parts are needed, contact customer service.

IMPORTANT SAFETY NOTICE



WARNING

BEFORE SERVICING THE VEHICLE, TURN OFF "RISE ON START" AND "PRESET MAINTAIN." THIS WILL ELIMINATE ANY UNINTENDED SUSPENSION CYCLING IF THE VEHICLE IS TURNED ON FOR ANY REASON.

Air Lift Company reserves the right to make changes and improvements to its products and publications at any time. For the latest version of this manual, contact Air Lift Company at **(800) 248-0892** or visit **www.airliftperformance.com**.

Limited Warranty and Return Policy

Air Lift Company provides a 1-year limited warranty to the original purchaser of Air Lift Performance height sensor kits from the date of original purchase, that the products will be free from defects in workmanship and materials when used on vehicles as specified by Air Lift Company and under normal operating conditions, subject to the requirements and exclusions set forth in the full Limited Warranty and Return Policy that is available online at www.airliftperformance.com/warranty.

For additional warranty information contact Air Lift Company customer service.

Replacement Part Information

If replacement parts are needed, call Air Lift customer service at **(800) 248-0892**. Most parts are immediately available and can be shipped the same day.

Contact Air Lift Company customer service first if:

- Parts are missing from the kit.
- Need technical assistance on installation or operation.
- Broken or defective parts in the kit.
- Wrong parts in the kit.
- Have a warranty claim or question.

Contact the retailer where the kit was purchased:

- If it is necessary to return or exchange the kit for any reason.
- If there is a problem with shipping if shipped from the retailer.
- If there is a problem with the price.

Contact Information

Mailing address	P.O. Box 80167 Lansing, MI 48908-0167
Shipping address for returns	2727 Snow Road Lansing, MI 48917
Phone	Toll free: (800) 248-0892 International: (517) 322-2144
Email	service@airliftcompany.com
Web address	www.airliftperformance.com

Need Help?

Contact our customer service department by calling (800) 248-0892. For calls from outside the USA or Canada, dial (517) 322-2144.



*Thank you for purchasing
Air Lift Performance products!*

Air Lift Performance • 2727 Snow Road • Lansing, MI 48917
P.O. Box 80167 • Lansing, MI 48908-0167
Toll Free (800) 248-0892 • International (517) 322-2144
Fax (517) 322-0240 • www.airliftperformance.com

Printed in the USA
JJC-0517