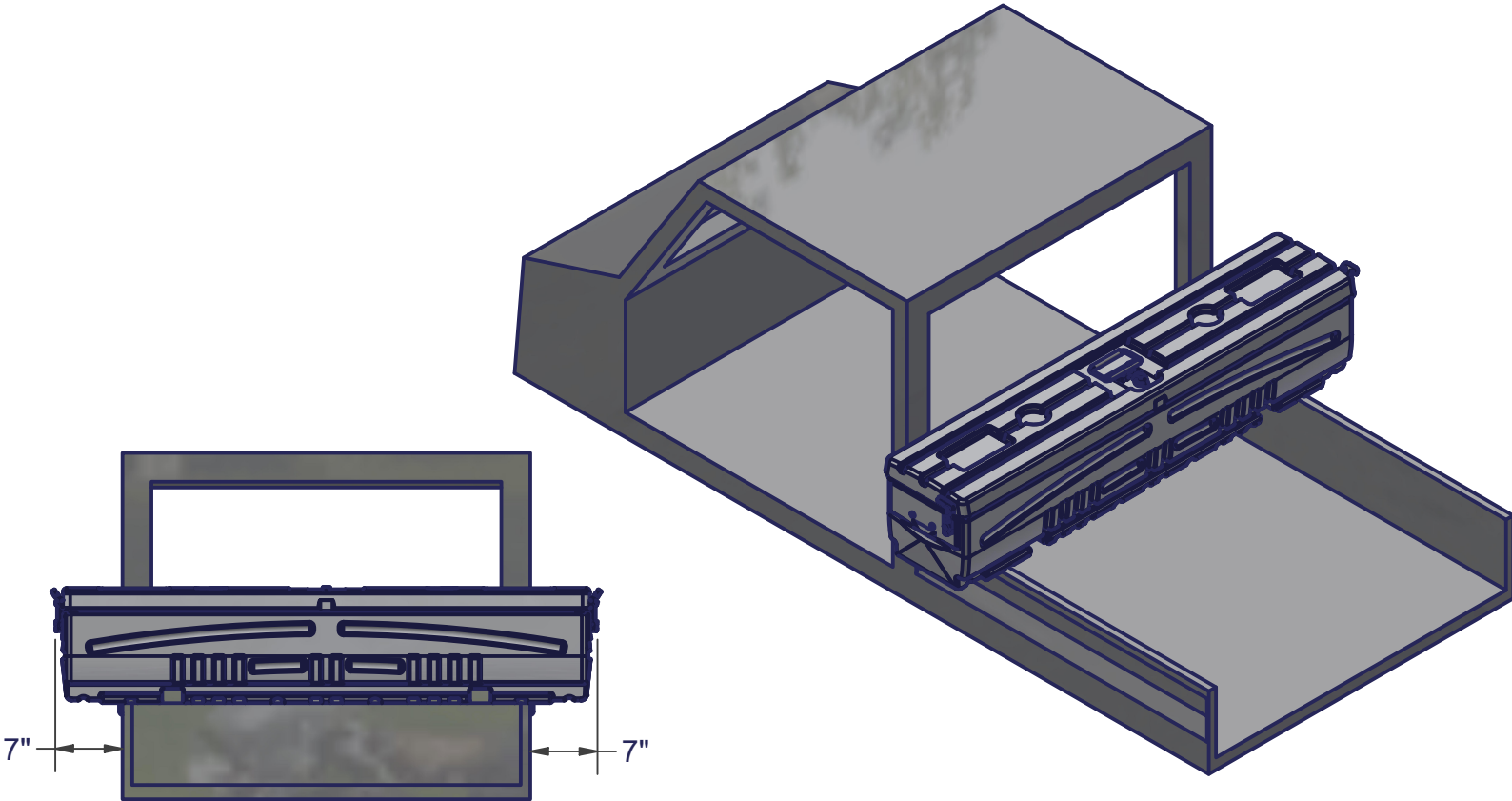


DU-HA[®] All-Terrain

70824 - DU-HA All-Terrain for Kubota
RTV 520 - Mid-Size Box



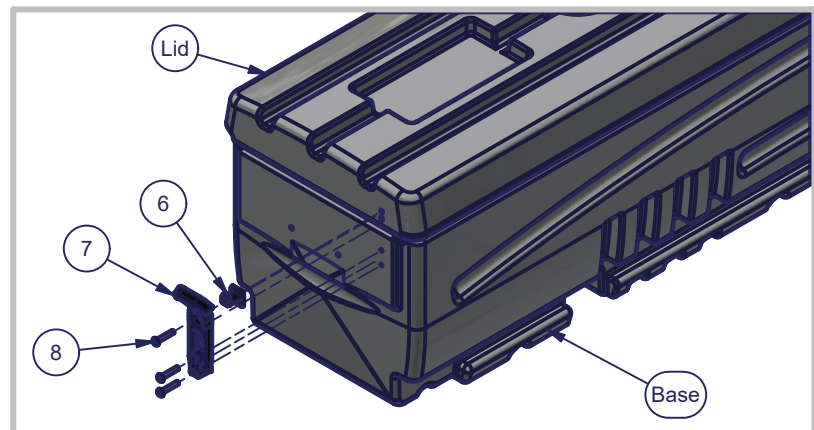
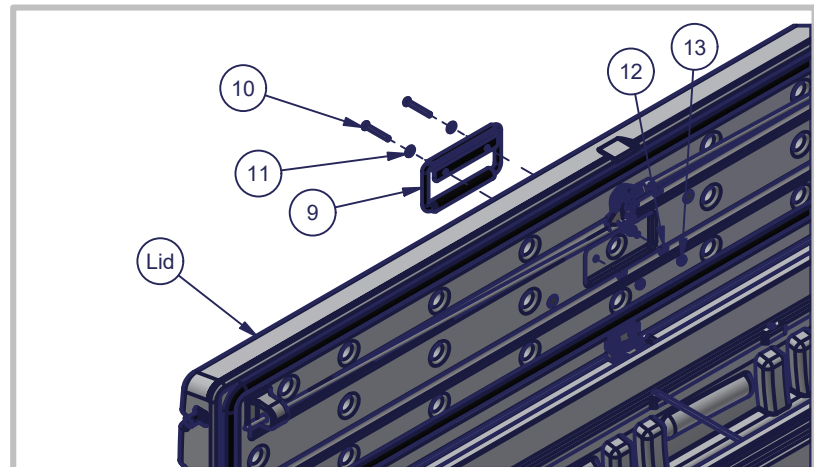
STEP 1 - Attach Handle to Lid

Place Handle (9) over holes in Lid Top. Insert two Bolts #10 x 1.5" (10) through, Flat Washer - #10 (11), Handle (9) and All-Terrain Lid. Secure with Flat Sealing Washer (has a rubber backing) - #10 (12) and Lock Nut #10 (13) Use 1/8" Hex Key Wrench.

Note: Handle may already be installed.

STEP 2 - Attach Rubber T-Handles

Place Rubber T-Handle (7) over inserts in Base. Insert two Bolts #10-32 x 1.0" (8) through T-Handle (7) and use 1/8" Hex Key Wrench to tighten into the inserts, on each end, T-Handle should point outward when in the up position. Next install the Rubber T-Handle Keeper (6) on the lid, make sure the alignment knob on the back of the T-Handle Keeper lines up with the recess in the lid and secure in place with one Bolt #10-32 x 1.0" (8) by inserting through the T-Handle Keeper (6) and thread into the insert in the lid, on each end.



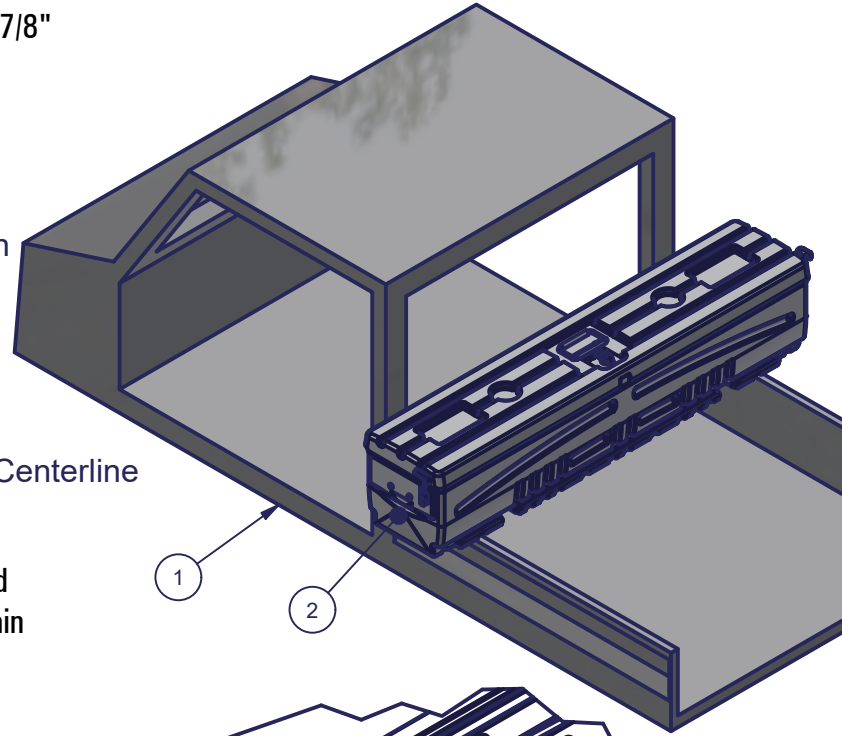
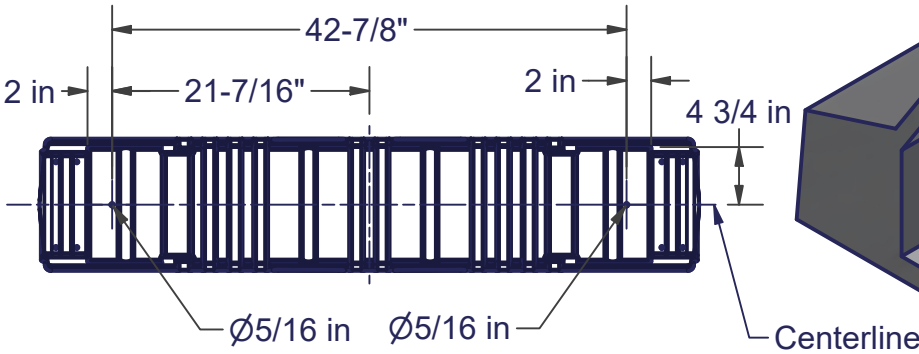
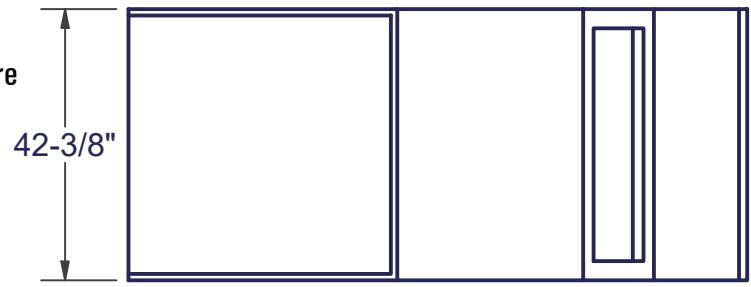
DU-HA® All-Terrain

70824 - DU-HA All-Terrain for Kubota
RTV 520 - Mid-Size Box

Step 3: Drill holes in bottom of Box

Before you drill the holes measure the box on your RTV to make sure you have the correct unit for your RTV. The width of your box outside to outside width wise should measure about 42-3/8" as shown. If you have the correct unit mark out the holes on the bottom of the All-Terrain Box and drill out the holes with a 5/16" drill bit. Drill 2 holes one on each end along the centerline which is along the parting line on the bottom of the part. Drill holes 42-7/8" center to center.

Note: See Page for clarification.

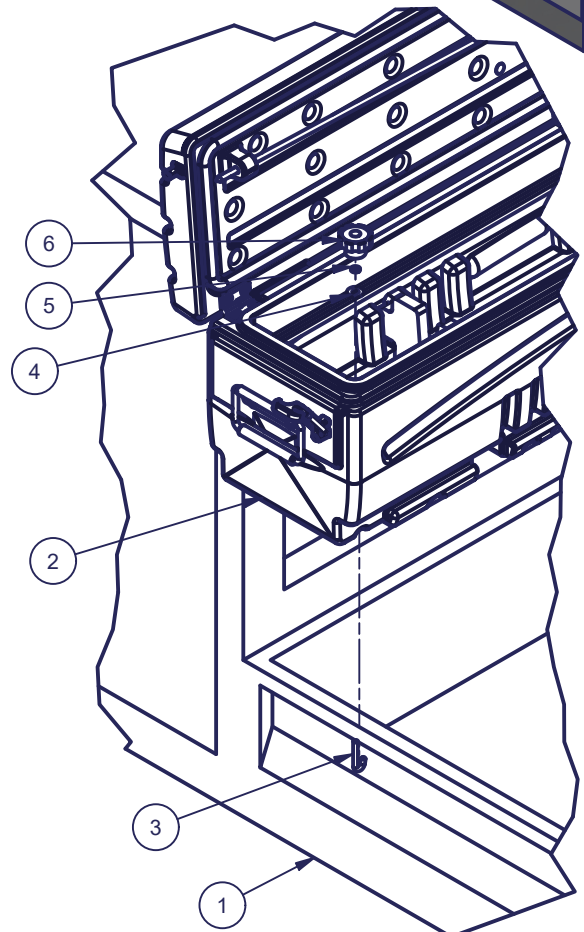


Step 4: Set Box on UTV

Set the All-Terrain Box (2) onto the UTV Box (1) in your desired position, should be about 2" between the cab and the All-Terrain Box so you have room to open the lid.

Step 5: Secure Box to UTV

From the bottom of the All-Terrain Box (2) hook the J-Bolts (3) onto the lip on the UTV box and insert into the holes you just drilled. From inside of the All-Terrain Box (2) slide a #12 washer (4) over each J-Bolt (3), slide a 1/4" Lockwasher and thread a Star Knob (5) onto each J-Bolt (3). Grab Star Knob on the previously installed J-Bolt (3) and make sure the J-Bolt (3) is still hooked onto the bottom of the lip on the outside of the UTV Box (1). Once hooked lift up on the #12 washer (4) to make sure the J-Bolt (3) stays connected, and tighten the Star Knob (5), tighten securely on each side.



Parts List			
ITEM	QTY	PART NUMBER	DESCRIPTION
1	1	--	Kubota RTV 520
2	1	70820	All-Terrain Storage Box 2022
3	2	1001267	J-Bolt 1/4-20 x 2.5
4	2	1001126	Washer Flat #12 x 1.0 SS
5	2	1001010	Washer Lock 1/4"
6	2	1001264	Knob - Star 1/4-20

DU-HA® All-Terrain

Step 7: Foam Organizer / Gun Holders

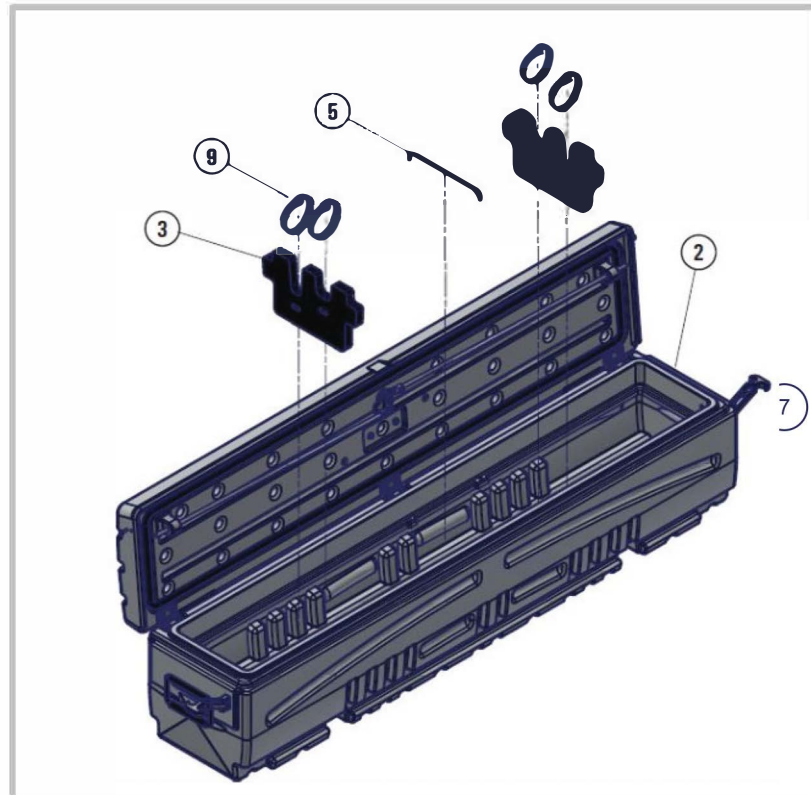
Place each Foam Organizer / Gun Holder assembly (3) into the channel slots in the side walls of the ALL-TERRAIN Box (2). They can be positioned in 3 locations on each end or in the center of the ALL-TERRAIN Box. To install rotate horizontally above slot and rotate downward and slide into slot. Stock of gun should rest in large groove; barrel should rest in small groove.

Step 8: Center Brace

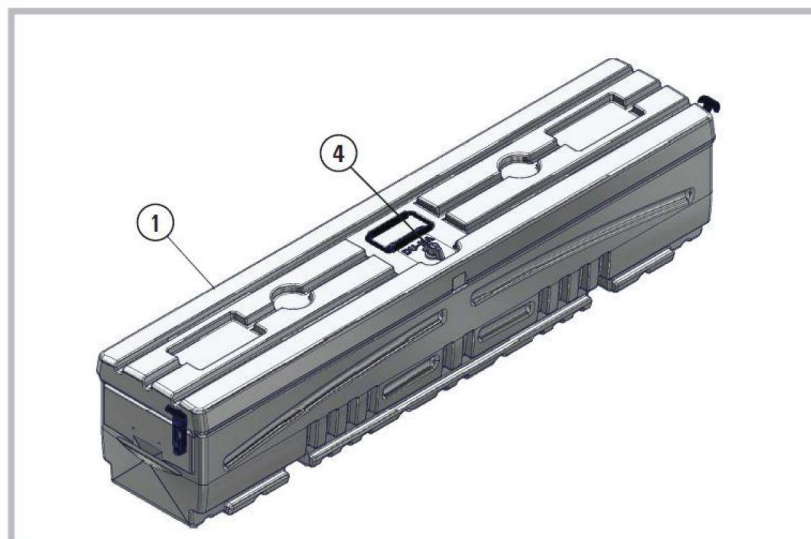
To maximize strength and stability, use the Center Brace (5). Insert each end into the holes on the top lip of the ALL-TERRAIN Box (2) at the middle. To access cargo, lift front side of Center Brace out of the hole and rotate the Center Brace out of the way to the right and insert into storage hole on back side of ALL-TERRAIN Box (2). Return Center Brace to front hole when finished.

Step 9: Closing and Locking the ALL-TERRAIN BOX

To close the Humpstor shut the lid and secure end T-Handles (7) by grabbing the top of the rubber handle and pull up and secure onto the Rubber T-Handle keeper (6) on each end. Next on top of the lid (1) turn the Wing Knob 1/4 Turn Latch (4) counter clockwise to engage locking mechanism. To lock Humpstor, use the provided key. Insert key with teeth facing away from you into Wing Knob 1/4 Turn Latch (4) and turn counter clockwise to lock and clockwise to un-lock.



Parts List			
ITEM	QTY	PART NUMBER	DESCRIPTION
1	1	70820	All-Terrain Storage Box Lid
2	1	70820	All-Terrain Main Body
3	1	Divider 70800 Assm	Divider Pkg Assm - Humpstor 2022
4	1	1001232	Wing Knob 1/4 Turn Latch
5	1	1001239	Center Wire Brace
6	2	1001235	Latch - Rubber T-Handle - Keeper
7	2	1001235	Latch - Rubber T-Handle
8	6	1001260	Screw BHSCS #10-32 x 1" SS
9	2	1001044	Handle - 90 Degree Metal- Black
10	2	1001006	Screw #10-24 x 1.50 SS
11	2	1001143	Washer - Flat #10 x 1/2 OD SS
12	2	1001244	Washer - Bond Seal #10 SS
13	2	1001144	Nut Nylock #10-24 SS



Safety Instructions:

Warning: 75 LBS CAPACITY – DO NOT EXCEED 75 POUNDS OF CARGO IN THE ALL-TERRAIN BOX. CAUTION – Do not store explosives or hazardous materials in the ALL-TERRAIN BOX. Do not place loaded guns in the ALL-TERRAIN BOX. For further instructions refer to the vehicle owners manual or contact DU-HA, Inc.

70824 - DU-HA All-Terrain for Kubota RTV 520 - Mid-Size Box

