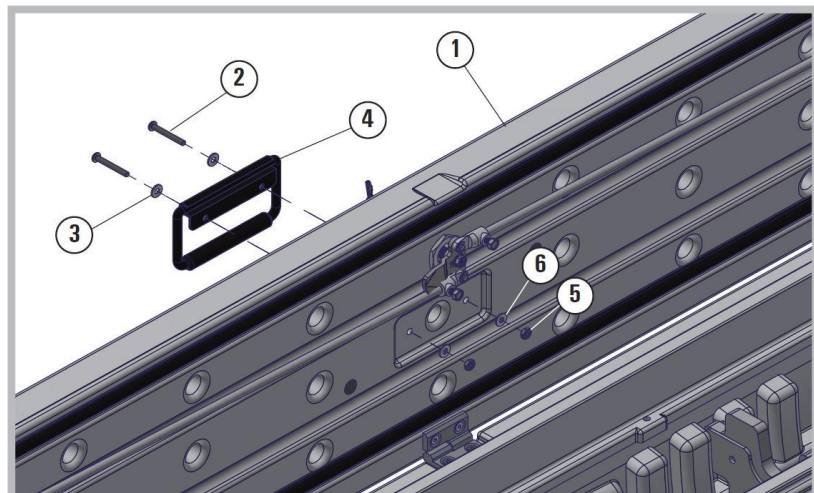


STEP 1 - Attach Handle to Lid

Place Handle (4) over holes in Lid Top (1). Insert two Bolts #10 x 1.5" (2) through Flat Washer - #10 (3), Handle (4) and All-Terrain Lid (1). Secure with Flat Sealing Washer #10 (6) (has a rubber backing) and Lock Nut #10 (5) Use 1/8" Hex key wrench and 3/8" wrench.

Note: Handle may already be installed.

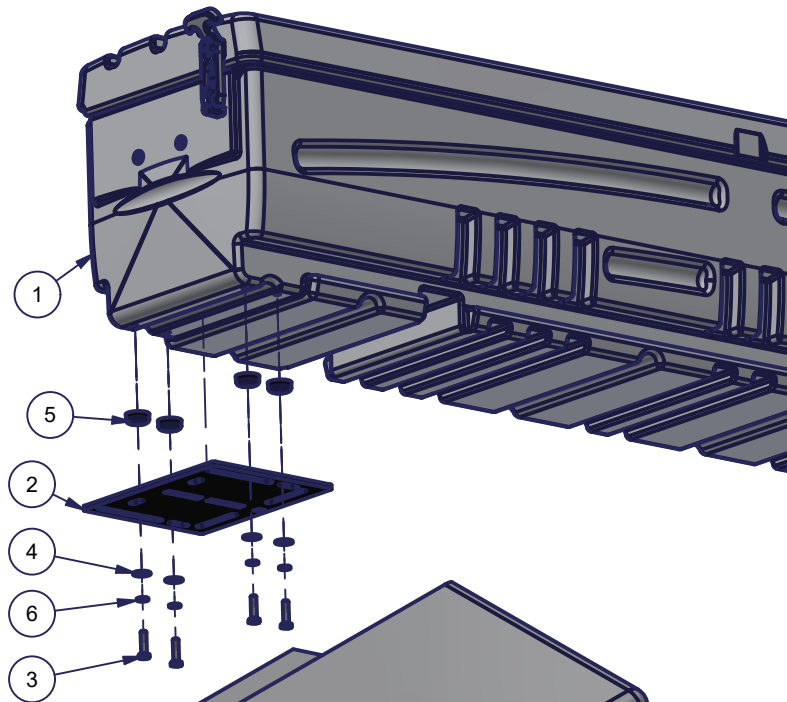


Parts List

ITEM	QTY	PART NUMBER	DESCRIPTION
1	1	70820	All-Terrain Storage Box Lid
2	2	1001006	Screw #10-24 x 1.50 SS
3	2	1001143	Washer - Flat #10 x 1/2 OD SS
4	2	1001044	Handle - 90 Degree Metal- Black
5	2	1001144	Nut Nylock #10-24 SS
6	2	1001244	Washer - Bond Seal #10 SS

Step 2: Attach Plates to Box

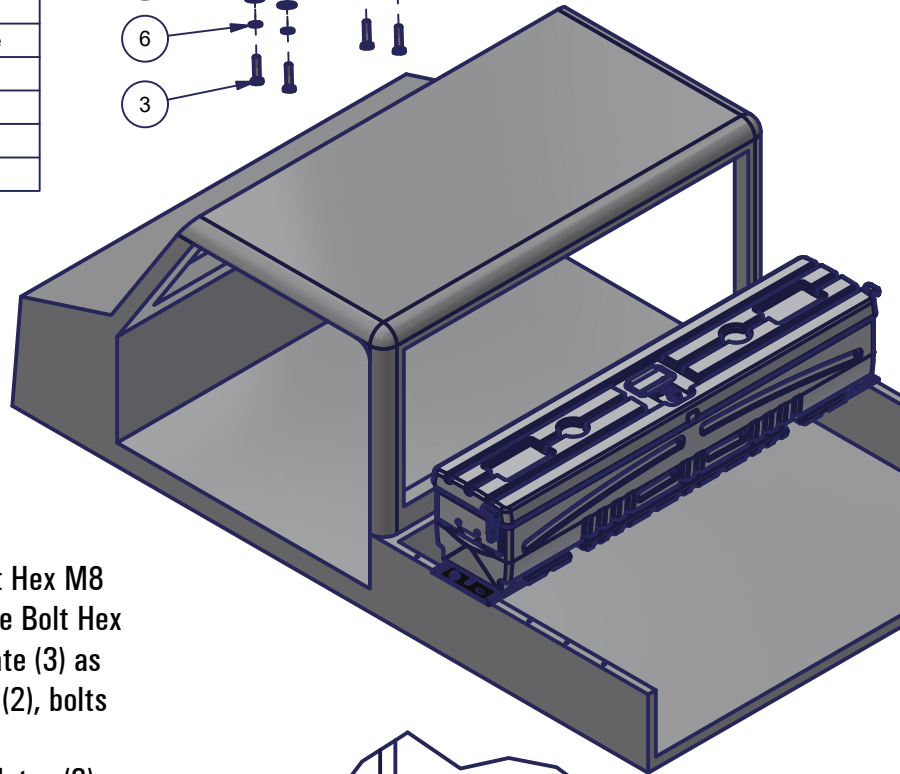
Attach the Universal Mounting Plates (2) as shown to the bottom of the All-Terrain Storage Box (1) using 1/4-20 x 1 bolts (3), 1/4 lock washers (6) and 1/4 washers (4), make sure to use the Spacers (5) between the mounting plate (2) and the All-Terrain Storage Box (1). Next measure the width of your UTV box and adjust your mounting plates (2) so the outer slot will line up with the threaded inserts in the box on your UTV. Make sure to orientate the mounting plates (2) with the smaller slots facing outward, as shown.



Parts List			
ITEM	QTY	PART NUMBER	DESCRIPTION
1	1	70820	DU-HA All-Terrain Storage Box
2	2	1001271	All-Terrain Universal Mounting Plate
3	8	1001195	Bolt Hex 1/4 x 1.00
4	8	1001155	Washer Flat 1/4
5	8	1001182	Spacer 1" OD x 3/8"
6	8	1001010	Washer Lock 1/4"

Step 3: Set Box on UTV

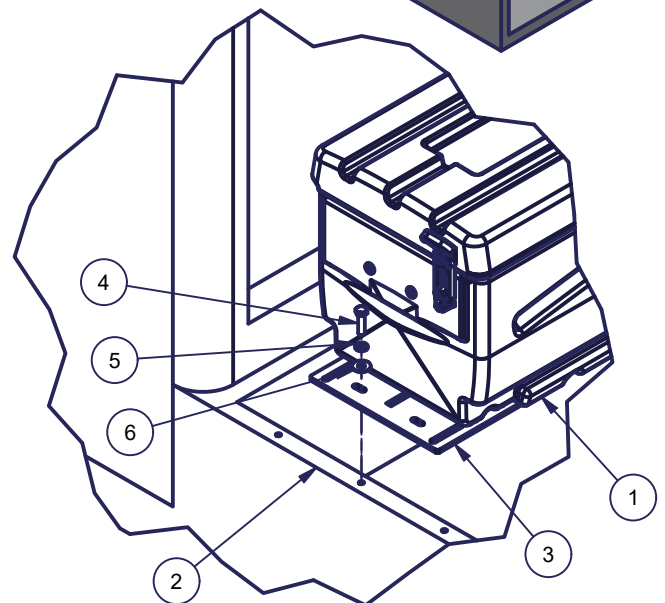
Set the All-Terrain Box (1) onto the UTV Box in your desired position. Make sure you have enough room to open the lid without hitting the cab.



Step 4: Secure Box to UTV

Secure the All-Terrain Box (1) to the UTV Box (2) using Bolt Hex M8 x 30 (4), 5/16 lock washers (5), 5/16 washers (6), insert the Bolt Hex M8 x 30 (4) through the slots in the Universal Mounting Plate (3) as shown and thread into the threaded inserts in the UTV Box (2), bolts fit tight in the slots, tighten securely.

Note: Leave bolts loose on one of the Universal Mounting Plates (3), it might need to be adjusted to get the slots to line up with the inserts in the top of the UTV Box (2). Tighten hardware after adjusted.

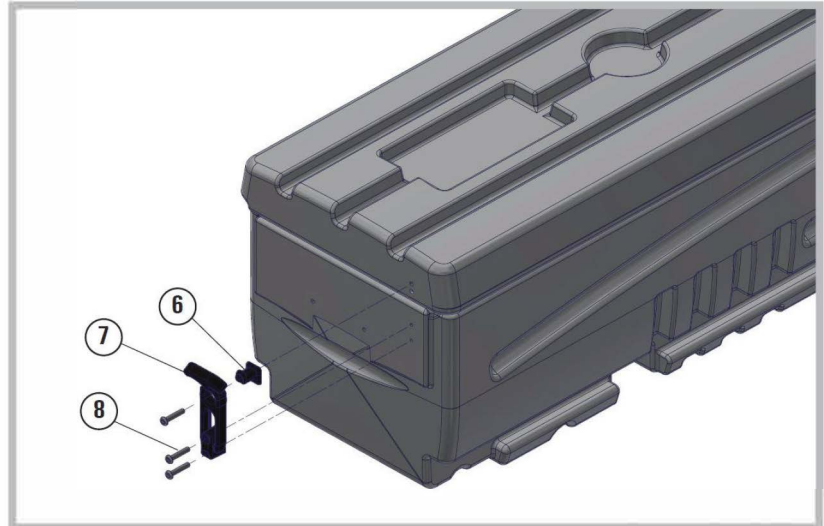


Parts List			
ITEM	QTY	PART NUMBER	DESCRIPTION
1	1	70820	DU-HA All-Terrain Storage Box
2	1	70825	Yamaha Viking Box
3	2	1001271	All-Terrain Universal Mounting Plate
4	2	1001146	Bolt Hex M8-1.25 x 30mm
5	2	1001011	Washer Lock 5/16"
6	2	1001012	Washer Flat 5/16

DU-HA® All-Terrain

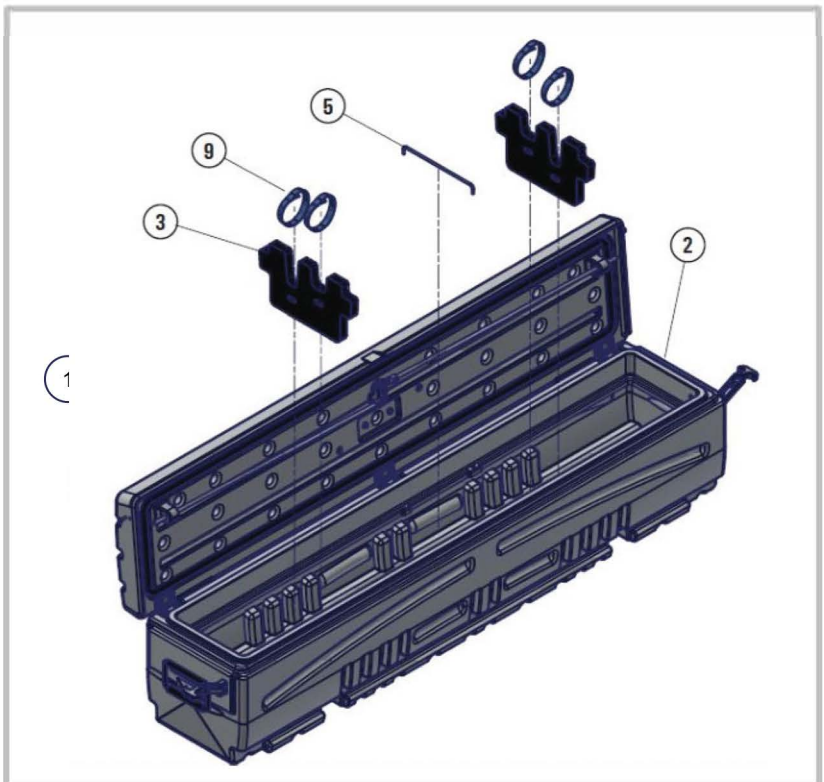
Step 5: Attach Rubber T-Handles

Place Rubber T-Handle (7) over inserts in Base (2). Insert two Screws #10-32 x 1.0" (8) through T-Handle (7) and use 1/8" Hex Key Wrench to tighten into the inserts, on each end, T-Handle should point outward when in the up position. Next install the Rubber T-Handle Keeper (6) on the lid, make sure the alignment knob on the back of the T-Handle Keeper lines up with the recess in the lid (1) and secure in place with one Screw #10-32 x 1.0" (8) by inserting through the T-Handle Keeper (6) and thread into the insert in the lid, on each end.



Step 6: Foam Organizer / Gun Holders

Place each Foam Organizer / Gun Holder assembly (3) into the channel slots in the side walls of the ALL-TERRAIN Box (2). They can be positioned in 3 locations on each end or in the center of the ALL-TERRAIN Box. To install rotate horizontally above slot and rotate downward and slide into slot. Stock of gun should rest in large groove; barrel should rest in small groove.

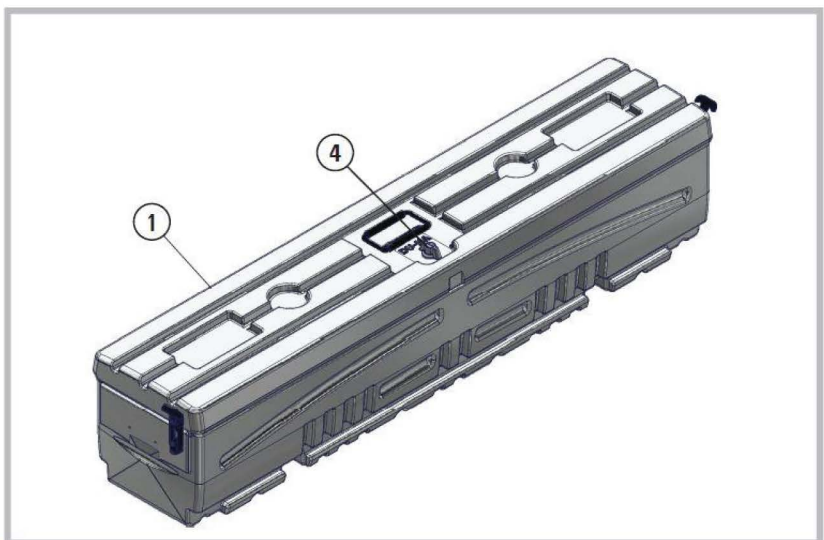


Step 7: Center Brace

To maximize strength and stability, use the Center Brace (5). Insert each end into the holes on the top lip of the ALL-TERRAIN Box (2) at the middle. To access cargo, lift front side of Center Brace out of the hole and rotate the Center Brace out of the way to the right and insert into storage hole on back side of ALL-TERRAIN Box (2). Return Center Brace to front hole when finished.

Step 8: Closing and Locking the ALL-TERRAIN BOX

To close the Humpstor shut the lid and secure end T-Handles (7) by grabbing the top of the rubber handle and pull up and secure onto the Rubber T-Handle keeper (6) on each end. Next on top of the lid (1) turn the Wing Knob 1/4 Turn Latch (4) counterclockwise to engage locking mechanism. To lock Humpstor, use the provided key. Insert key with teeth facing away from you into Wing Knob 1/4 Turn Latch (4) and turn counterclockwise to lock and clockwise to un-lock.



Parts List

ITEM	QTY	PART NUMBER	DESCRIPTION
1	1	70820	All-Terrain Storage Box Lid
2	1	70820	All-Terrain Main Body
3	1	Divider 70800 Assm	Divider Pkg Assm - Humpstor 2022
4	1	1001232	Wing Knob 1/4 Turn Latch
5	1	1001239	Center Wire Brace
6	2	1001235	Latch - Rubber T-Handle - Keeper
7	2	1001235	Latch - Rubber T-Handle
8	6	1001260	Screw BHSCS #10-32 x 1" SS

Safety Instructions:

Warning: 75 LBS CAPACITY – DO NOT EXCEED 75 POUNDS OF CARGO IN THE ALL-TERRAIN BOX. CAUTION – Do not store explosives or hazardous materials in the ALL-TERRAIN BOX.

Do not place loaded guns in the ALL-TERRAIN BOX.

For further instructions refer to the vehicle owners manual or contact DU-HA, Inc.