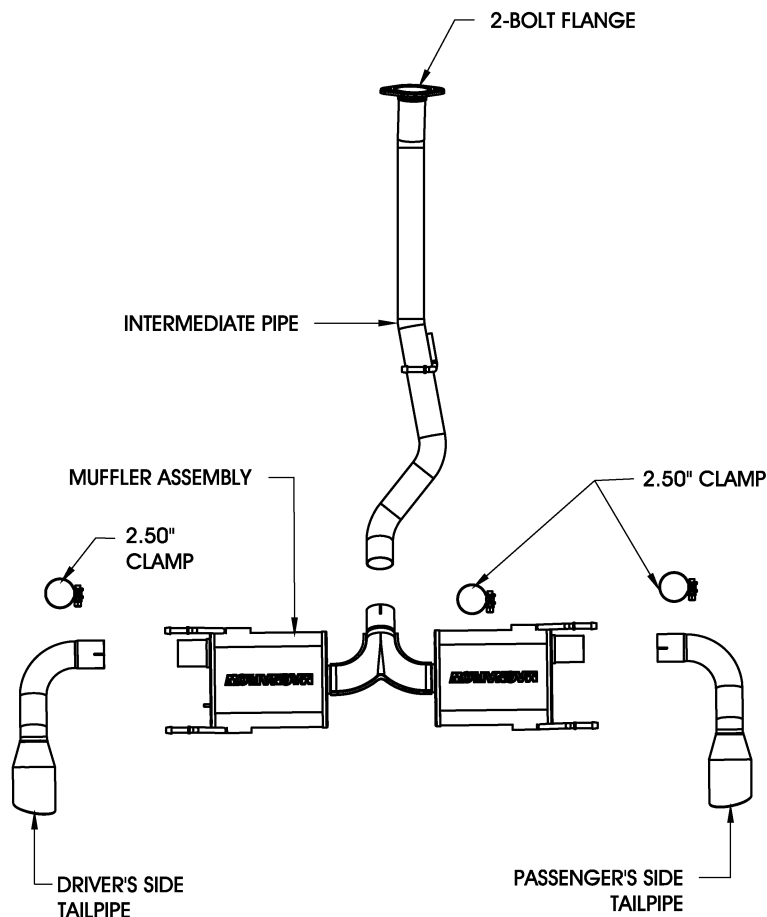


2003 MAZDA RX-8 - 1.3L "RENEISIS" ROTARY ENGINE

DIAGRAM 1



Warning: When working on, under, or around any vehicle exercise caution. Please allow the vehicle's exhaust system to cool before removal, as exhaust system temperatures may cause severe burns. If working without a lift, always consult vehicle manual for correct lifting specifications. Always wear safety glasses and ensure a safe work area. Serious injury or death could occur if safety measures are not followed.

Step 1: (Carefully read all instructions before installation)

Disconnect the vehicle's battery before removal of the OEM exhaust. This will allow the computer to reset itself with the new system, and prevent electrical accidents. To remove the OEM exhaust system, Unbolt the intermediate pipe at the 2-bolt flange near the catalytic converter, and at the U-clamp where the pipe meets the muffler (Do not discard or damage the OEM fasteners and rubber insulators, as they will be reused to mount the new system.) Disengage the welded hanger from the OEM rubber insulator and remove the pipe. Remove the nut fastening the electrical ground cable to the muffler, as shown in Diagram 2. You can now disengage the hangers on the muffler assembly and remove it from the vehicle.

Step 2: Install the new intermediate pipe by fitting the welded hanger into the OEM rubber insulator and by bolting it to the catalytic converter at the 2-bolt flange re-using the OEM fasteners (Leave all clamps and fasteners loose for final adjustment of the complete system.) Fit the welded hangers on the muffler into the OEM rubber insulators, and fasten the inlet to the intermediate pipe using one of the supplied 2.50" clamps. Fasten the tailpipe assemblies to the muffler using the supplied 2.50" clamps.

A stud is welded to the muffler for mounting the OEM ground cable using the OEM fasteners.

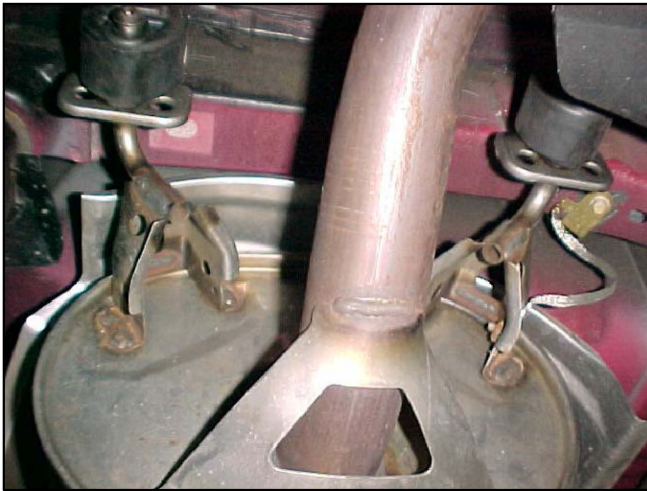
*MAGNAFLOW Performance Exhaust recommends professional installation on all their products

Technical support: 1-800-959-9226 ext. 4500

MAGNAFLOW Performance Exhaust - 22961 Arroyo Vista - Rancho Santa Margarita, CA 92688

2003 MAZDA RX-8 - 1.3L "RENEISIS" ROTARY ENGINE

DIAGRAM 2



Warning: When working on, under, or around any vehicle exercise caution. Please allow the vehicle's exhaust system to cool before removal, as exhaust system temperatures may cause severe burns. If working without a lift, always consult vehicle manual for correct lifting specifications. Always wear safety glasses and ensure a safe work area. Serious injury or death could occur if safety measures are not followed.

Step 3: With all components mounted loosely, adjust the system for overall aesthetics and clearance of frame & bodywork. (MAGNAFLOW recommends at least 1/2" of clearance between the exhaust system and any body panels to prevent heat-related body damage or fire.)

Step 4: Once a final position has been chosen for the new system, evenly tighten all fasteners from front to rear. The supplied band clamps must be VERY tight to properly align the pipes and prevent leaks (Approximately 40ft-lbs.) You can now connect the battery, start the vehicle and check for leaks. Inspect all fasteners after 25-50 miles of operation and retighten if necessary.