

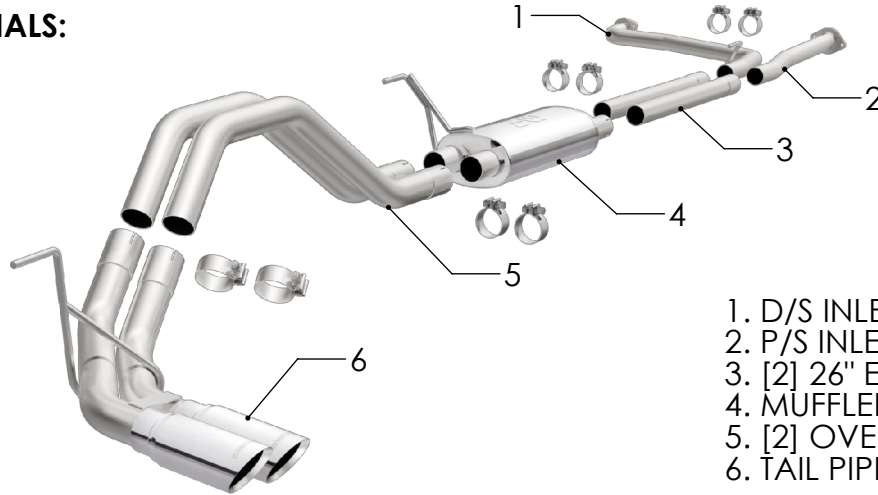


INSTALLATION INSTRUCTIONS



2016-2017 NISSAN TITAN XD 5.6L | PART NO. 19372

BILL OF MATERIALS:



1. D/S INLET PIPE ASSEMBLY
2. P/S INLET PIPE ASSEMBLY
3. [2] 26" EXTENSION PIPE
4. MUFFLER ASSEMBLY
5. [2] OVER AXLE PIPE
6. TAIL PIPE ASSEMBLY



WEAR SAFETY GLASSES



READ INSTRUCTIONS THOROUGHLY BEFORE INSTALLING PRODUCT



SPRAY LUBRICANT

To ease removal of existing exhaust components (especially on older vehicles) spray penetrating lubricant on all fasteners and hangers/insulators that will be loosened or removed and let soak before disassembly.

HARDWARE KIT:

1. [4] 2.25" Clamp
2. [4] 2.50" Clamp

MINIMUM REQUIRED TOOLS:



12, 14, 15 mm



Hanger Tool (Or Pry Bar)

MAGNAFLOW RECOMMENDS PROFESSIONAL INSTALLATION ON ALL THEIR PRODUCTS

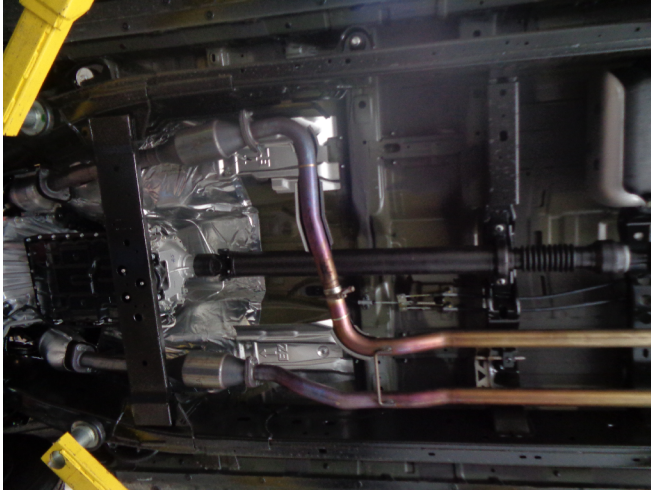


WARNING: When working on, under, or around any vehicle exercise caution. Please allow the vehicle's exhaust system to cool before removal, as exhaust system temperatures may cause severe burns. If working without a lift always consult vehicle manual for correct lifting specifications. Always wear safety glasses and ensure a safe work area. Serious injury or death could occur if safety measures are not followed.

ATTENTION: Always install any supplied band or U-bolt clamps to the proper torque specifications of 40-45 ft-lb for band clamps and 30-35 ft-lb for U-bolt clamps. Over tightening will result in the clamps breaking and will NOT be warranted by MagnaFlow.

MAGNAFLOW: 1901 Corporate Centre Dr - Oceanside, CA 92056 | 1(800)990-0905
Technical Support: 1(800) 959-9226 | Email: moreinfo@magnaflow.com

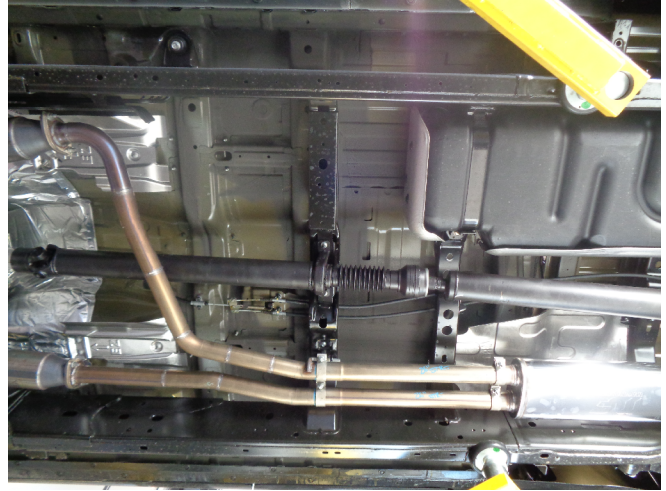
INSTALLATION INSTRUCTIONS



Step 1: To remove the OEM system first unbolt both inlet pipes at the catalytic converter flange junctions. Working front to rear disengage all welded hangers from the rubber insulators. The OEM exhaust system can now be removed in one piece. Be sure to retain all mounting hardware as it will be needed to install your new MAGNAFLOW system



Step 2: Begin installing your new system by loosely bolting both inlet flanges of the D/S and P/S Inlet Pipe Assemblies to the catalytic converter outlets using the OEM hardware. Engage the D/S hanger to the rubber insulator.



Step 3: Next loosely fasten both Extension Pipes to the Inlet Pipe Assemblies using the supplied clamps.



Step 4: Loosely attach the Muffler Assembly to the Extension Pipes using the supplied 2.25" clamps and engaging the welded hanger into the rubber insulator. Next install the Over Axle Pipes to the outlets of the Muffler Assembly using the supplied 2.50" clamps. (These pipes are identical).

MAGNAFLOW: 1901 Corporate Centre Dr - Oceanside, CA 92056 | 1(800)990-0905
Technical Support: 1(800) 959-9226 | Email: moreinfo@magnaflow.com

INSTALLATION INSTRUCTIONS



Step 5: Finish by installing the Tailpipe Assembly to the Over Axle pipes using the supplied 2.50" clamps and fitting the hanger into the rubber insulator.



Step 6: Once a final position has been chosen for the new exhaust system, evenly tighten all clamps from front to rear using the torque specifications on page one of these instructions. Inspect all fasteners after 25-50 miles for operation and re-tighten if necessary.