

# MAGNAFLOW

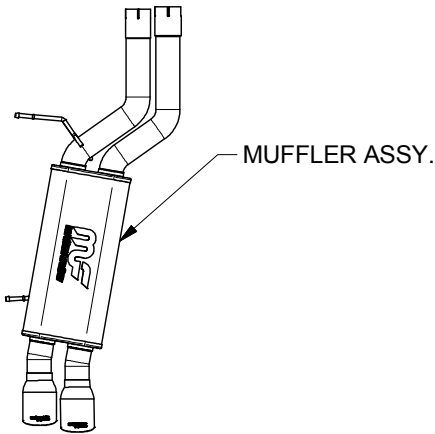
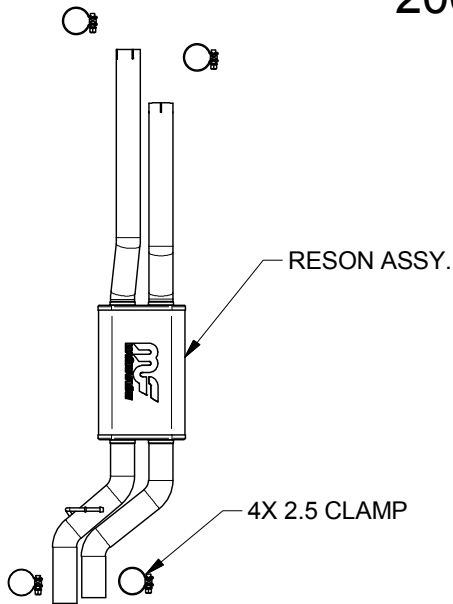
Mufflers, Converters,  
Systems and Tips

Exhaust  
PRODUCTS

## INSTALLATION INSTRUCTIONS

### FOR 16553

### 2008-2009 BMW 535i 3.0L



**Warning:** When working on, under, or around any vehicle exercise caution. Please allow the vehicle's exhaust system to cool before removal, as exhaust system temperatures may cause severe burns. If working without a lift, always consult vehicle manual for correct lifting specifications. Always wear safety glasses and ensure a safe work area. Serious injury or death could occur if safety measures are not followed.

**Step 1:** (Carefully read all instructions before installation). To extract your OEM exhaust system it is required to cut the factory exhaust to remove it. To do this Measure 3.75" back from the weld on the pipes behind the catalytic converters and cut. Once this is done remove the crossmember, unfasten the hangers from the rubber insulators, Undo the vacuum line from the muffler and plug. Carefully remove the complete assembly (retain the rubber insulators as they will be needed to install your new MAGNAFLOW system)

**Step 2** Before installing your new system the rear hanger position must be changed. Referencing FIG 1 un-bolt the factory hanger and move it to it's new position, one place over towards the outside of the vehicle. install your new exhaust system by first sliding the inlet pipes of the Resonator Assembly onto the catalytic converters and locating the hangers. Slip the Muffler Assembly over the outlets of the Resonator Assembly and locate the hangers into the rubber isolators. Use the supplied clamps to secure.

**Step 3:** With all components mounted loosely, adjust the system for overall aesthetics and clearance of frame & bodywork. (MAGNAFLOW recommends at least 1/2" of clearance between the exhaust system and any body panels to prevent heat-related body damage or fire.)

**Step 4:** Once a final position has been chosen for the new system, evenly tighten all fasteners from front to rear. The supplied band clamps must be VERY tight to properly align the pipes and prevent leaks (Approximately 40ft-lbs). U-bolt clamps should be tightened to approximately 30-35ft-lbs. inspect all fasteners after 25-50 miles of operation and retighten if necessary.

**\*\* Magnaflow Performance Exhaust recommends professional installation on all their products**