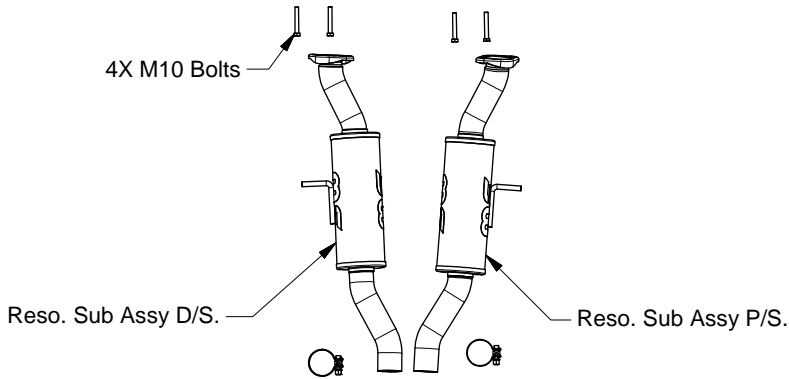
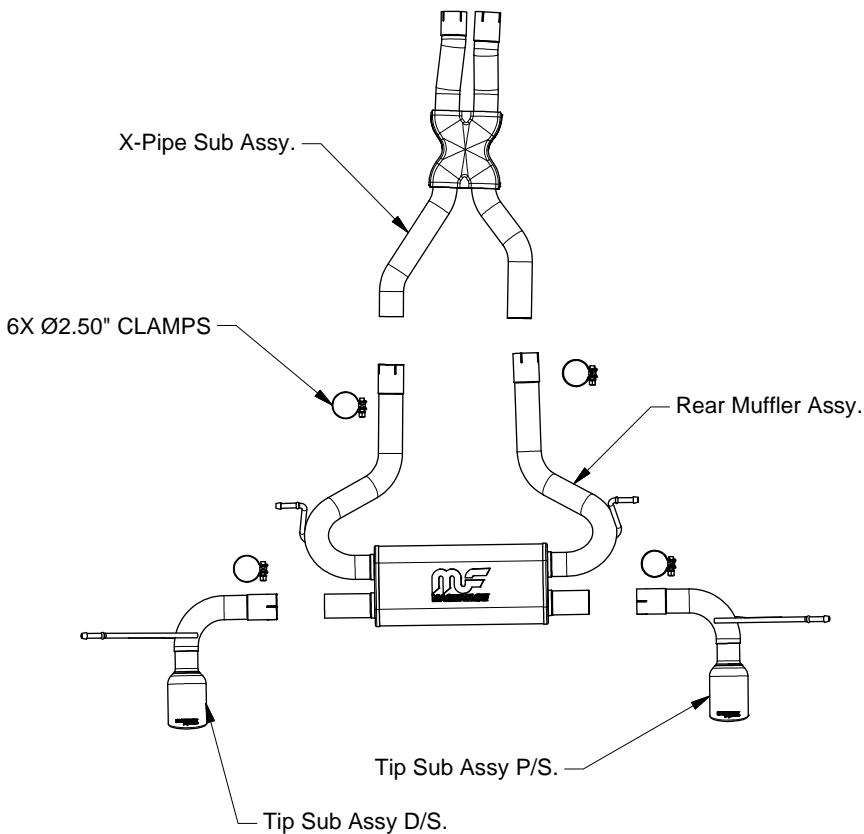


2011 Jeep Grand Cherokee 5.7L



Warning: When working on, under, or around any vehicle exercise caution. Please allow the vehicle's exhaust system to cool before removal, as exhaust system temperatures may cause severe burns. If working without a lift, always consult vehicle manual for correct lifting specifications. Always wear safety glasses and ensure a safe work area. Serious injury or death could occur if safety measures are not followed.

Step 1: (Carefully read all instructions before installation) Remove the OEM system from the vehicle by first unbolting the flanges attaching the inlet pipes to the catalytic converters. Working front to rear remove all mounting hardware and detach hangers from rubber isolators. Be sure to retain all mounting hardware and rubber as it will be needed to install your new MAGNAFLOW performance exhaust system.



Step 2: Begin installation of your new exhaust system by first bolting the two inlet resonator assemblies to the vehicle catalytic converters. Use the supplied bolts to secure. Slip the inlet pipes of the X-Pipe assembly over the outlets of both resonator assemblies, secure using the supplied clamps. Mount the Rear Muffler assembly by attaching the inlet pipes over the outlet pipes of the X-Pipe assembly and fasten using the supplied clamps. Finally, slip the inlets of both tail pipe assemblies over the outlets of the Rear Muffler assembly. Locate the hangers into the OEM rubber isolators.

Step 3: With all components mounted loosely, adjust the system for overall aesthetics and clearance of frame & bodywork. (MAGNAFLOW recommends at least 1/2" of clearance between the exhaust system and any body panels to prevent heat-related body damage or fire.)

Step 3: Once a final position has been chosen for the new system, evenly tighten all fasteners from front to rear. The supplied band clamps must be VERY tight to properly align the pipes and prevent leaks (Approximately 40ft-lbs). U-bolt clamps should be tightened to approximately 30-35ft-lbs. Inspect all fasteners after 25-50 miles of operation and retighten if necessary.

**** Magnaflow Performance Exhaust recommends professional installation on all their products**