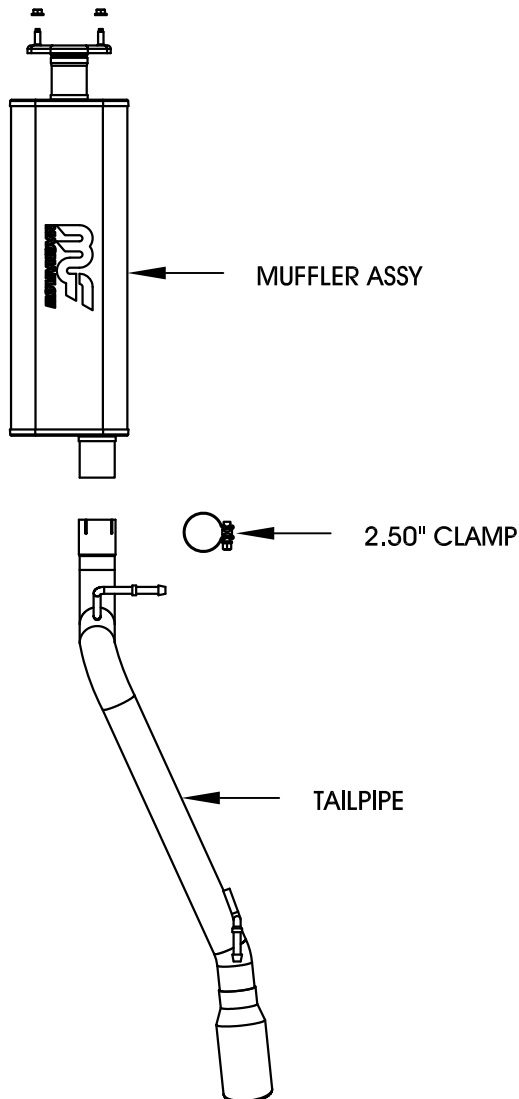


'02- JEEP LIBERTY - 6CYL, 2.4L / 3.7L

Warning: When working on under or around any vehicle exercise caution. Please allow the vehicle's exhaust system to cool before removal, as exhaust system temperatures may cause severe burns. If working without a lift, always consult vehicle manual for correct lifting specifications. Always wear safety glasses and ensure safe work area. Serious injury or death could occur if safety measures are not followed.



Step 1: (Carefully read all instructions before installation.) To begin removal of the OEM exhaust system, unbolt the muffler from catalytic converter extension pipe. Do not discard the OEM fasteners, as they will be re-used on your new system. Remove the muffler and tail pipe from the OEM rubber insulators. Do not damage the rubber insulators, as they will be re-used on your new system.

Step 2: Begin installation by installing the new tail pipe into the OEM rubber insulators. Once the tail pipe is in position, slide the outlet end of the muffler into the inlet end of the tail pipe and bolt up the muffler to the catalytic converter extension pipe using the OEM fasteners. Leave all fasteners loose until a final position is chosen.

Step 3: With all fasteners still loose, adjust your new system for overall aesthetics and clearance of frame and bodywork. (MAGNAFLOW recommends at least 1/2" of clearance between the exhaust tip and any body panels to avoid heat-related body damage or fire.)

Step 4: Once a final position is chosen for the new system, evenly tighten all fasteners from front to rear, to complete the installation. Inspect all fasteners after 25-50 miles of operation, and re-tighten if necessary.

*MAGNAFLOW Performance Exhaust recommends professional installation on all their products

Technical support: 1-800-959-9226 ext. 4500