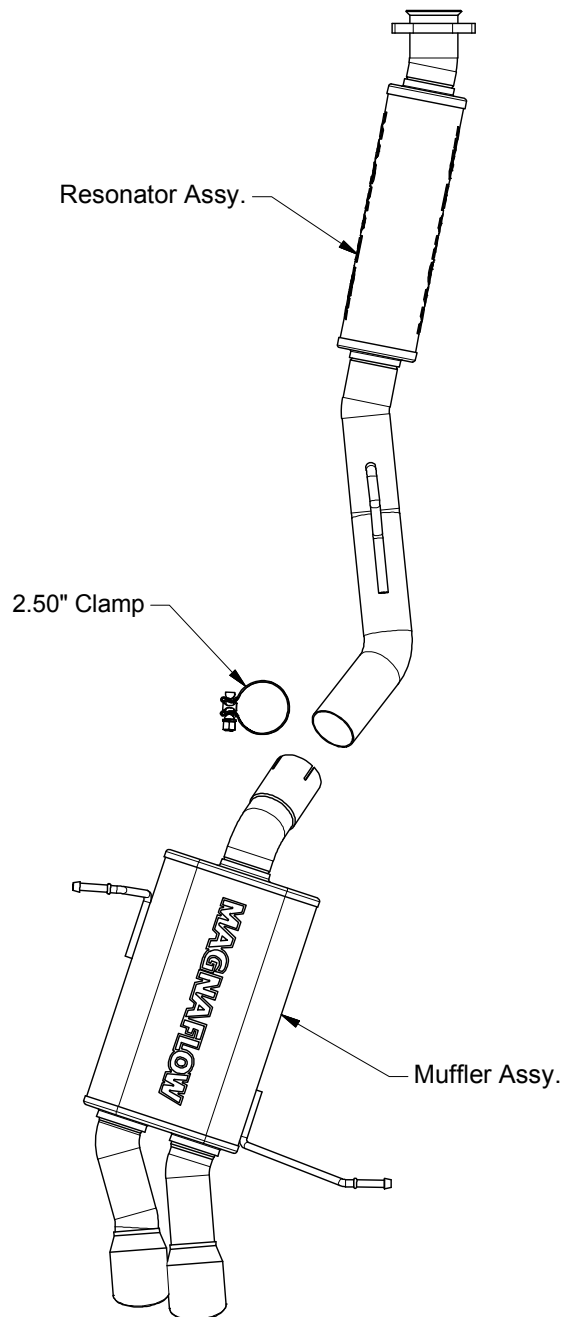


1997-2000 BMW Z3 2.8L



Warning: When working on, under, or around any vehicle exercise caution. Please allow the vehicle's exhaust system to cool before removal, as exhaust system temperatures may cause severe burns. If working without a lift, always consult vehicle manual for correct lifting specifications. Always wear safety glasses and ensure a safe work area. Serious injury or death could occur if safety measures are not followed.

Step 1: (Carefully read all instructions before installation) Begin by unbolting the OEM exhaust at the catalytic converter. Do not discard or damage the OEM fasteners or damage the OEM rubber insulators, as they will be reused to mount the new system. Disengage the hangers from the rubber insulators at the muffler and inlet pipe, and remove the system from the vehicle.

Step 2: Install the new Resonator Assembly by bolting the flange to the catalytic converter. Leave all clamps and fasteners loose for final adjustment of the complete system. Install the Muffler Assembly by connecting the inlet pipe to the resonator using a supplied 2.50" band clamp, and by fitting the welded hangers into the OEM rubber insulators.

Step 3: With all components mounted loosely, adjust the system for overall aesthetics and clearance of frame & bodywork. (MAGNAFLOW recommends at least 1/2" of clearance between the exhaust system and any body panels to prevent heat-related body damage or fire.

Step 4: Once a final position has been chosen for the new system, evenly tighten all fasteners from front to rear. The supplied band clamps must be VERY tight to properly align the pipes and prevent leaks (Approximately 40ft-lbs). Inspect all fasteners after 25-50 miles of operation and retighten if necessary.

**** Magnaflow Performance Exhaust recommends professional installation on all their products**