

**INSTALLATION INSTRUCTIONS
 FOR 17126**

1991-1995 Jeep Wangler 2.5/4.0L Off Road

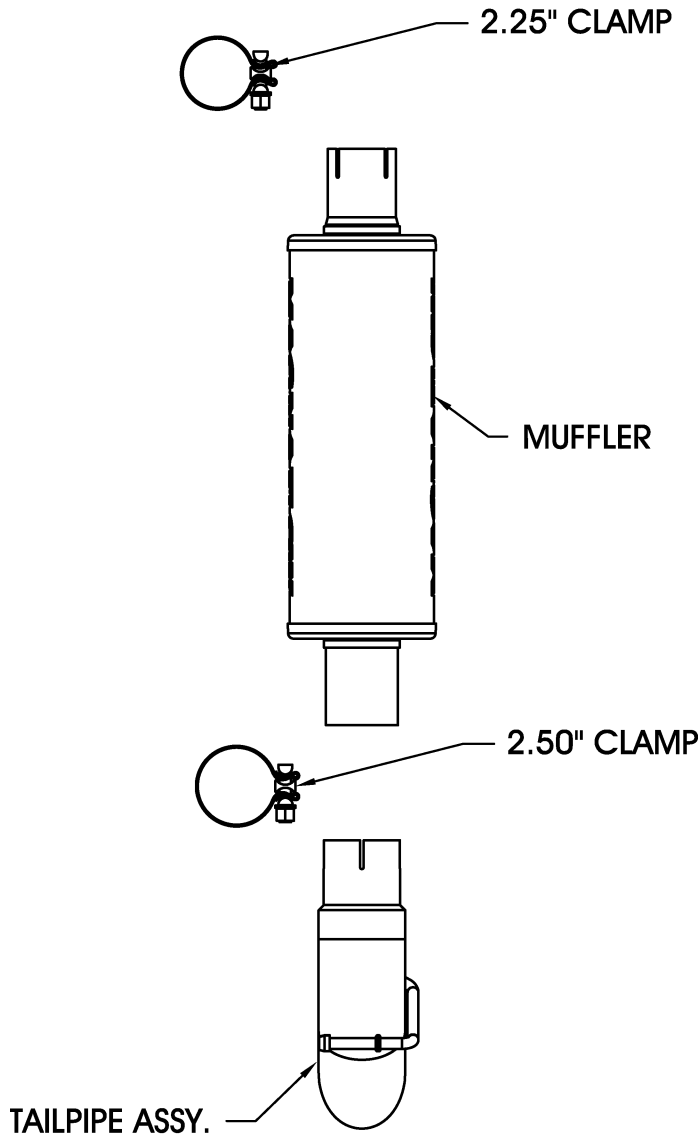
Warning: When working on, under, or around any vehicle exercise caution. Please allow the vehicle's exhaust system to cool before removal, as exhaust system temperatures may cause severe burns. If working without a lift, always consult vehicle manual for correct lifting specifications. Always wear safety glasses and ensure a safe work area. Serious injury or death could occur if safety measures are not followed.

Step 1: (Carefully read all instructions before installation) To remove the OEM system, unbolt the muffler and tailpipe at the mating connections, disengage the welded hangers from the OEM rubber insulators, and remove the assemblies. Do not damage the OEM rubber insulators, as they will be reused to mount the new system

Step 2: Install the new Muffler by fastening the inlet to the catalytic converter extension using the supplied 2.25" clamp. Leave all clamps and fasteners loose for final adjustment of the complete system. Install the Tailpipe in the same fashion using the supplied 2.50" clamp. Take extra care to orient this clamp so it is completely clear of the emergency brake cable.

Step 3: With all components mounted loosely, adjust the system for overall aesthetics and clearance of frame & bodywork. (MAGNAFLOW recommends at least 1/2" of clearance between the exhaust system and any body panels to prevent heat-related body damage or fire.)

Step 4: Once a final position has been chosen for the new system, evenly tighten all fasteners from front to rear. The supplied band clamps must be VERY tight to properly align the pipes and prevent leaks (Approximately 40ft-lbs). U-bolt clamps should be tightened to approximately 30-35 ft-lbs. Inspect all fasteners after 25-50 miles of operation and retighten if necessary.



*MAGNAFLOW Performance Exhaust recommends professional installation on all their products

Technical support: 1-800-959-9226 ext. 4500

MAGNAFLOW Performance Exhaust - 22961 Arroyo Vista - Rancho Santa Margarita, CA 92688