



# BX1856

## 2020-21 Nissan Versa Sedan (Manual Only) (No ICC) Installation Instructions

**Attachment Tab Height: 15"**

**Attachment Tab Width: 22"**

**Serial Number**

**Please read BOTH these Installation Instructions and the General Information sheet prior to installing or operating this equipment.**

- Blue Ox® towing products and accessories are intended to be installed by Blue Ox® Dealers who are familiar with our products and have the equipment and knowledge necessary to do "fit work". If needed, Blue Ox® Dealers can be found at [www.blueox.com](http://www.blueox.com) or by contacting our Technical Service Department at (402) 385-3051.
- Many Blue Ox® baseplates are designed to use existing holes and hardware to mount the baseplate to the towed vehicle. Even though bolts are there, do not assume they are adequate for baseplate mounting. Always use the hardware supplied in the hardware kit and existing hardware as specified in the installation instructions.

### Bolt Torque Specifications

Torque in Foot-Pounds for Inch Bolts

| Bolt Size | Grade 5 | Grade 8 |
|-----------|---------|---------|
| 1/4"      | 10      | 14      |
| 5/16"     | 19      | 29      |
| 3/8"      | 33      | 47      |
| 7/16"     | 54      | 78      |
| 1/2"      | 78      | 119     |
| 5/8"      | 154     | 230     |
| 3/4"      | 257     | 380     |

### Bolt Torque Specifications

Torque in Foot-Pounds for Metric Bolts

| Bolt Size | Grade 8.8 | Grade 10.9 |
|-----------|-----------|------------|
| 6MM       | 6         | 8          |
| 8MM       | 16        | 22         |
| 10MM      | 31        | 40         |
| 12MM      | 54        | 70         |
| 14MM      | 89        | 117        |
| 16MM      | 161       | 230        |
| 18MM      | 222       | 318        |



If the front of your vehicle looks different than this, please contact us at (402)385-3051.

**Reference your vehicle owner's manual for manufacturer's towing specifications.**

## WARNING

Failure to read and follow these instructions could result in separation of the towed vehicle from the tow bar, causing property damage, loss of towed vehicle, personal injury or death.

BX1856  
2020-21 Nissan Versa Sedan (Manual Only) (No ICC)  
Installation Instructions

**Instruction Notes:** The fascia and bumper are removed and reinstalled for the baseplate installation. Some drilling and trimming is required.

Place all components that are removed on a flat, sturdy surface. All items will be reinstalled unless otherwise noted after the baseplate is installed.

The dimensional variations between otherwise identical vehicles can be considerable. While the baseplate was designed for easy installation, it may be necessary to tailor the baseplate slightly to compensate for vehicle manufacturer's tolerances.

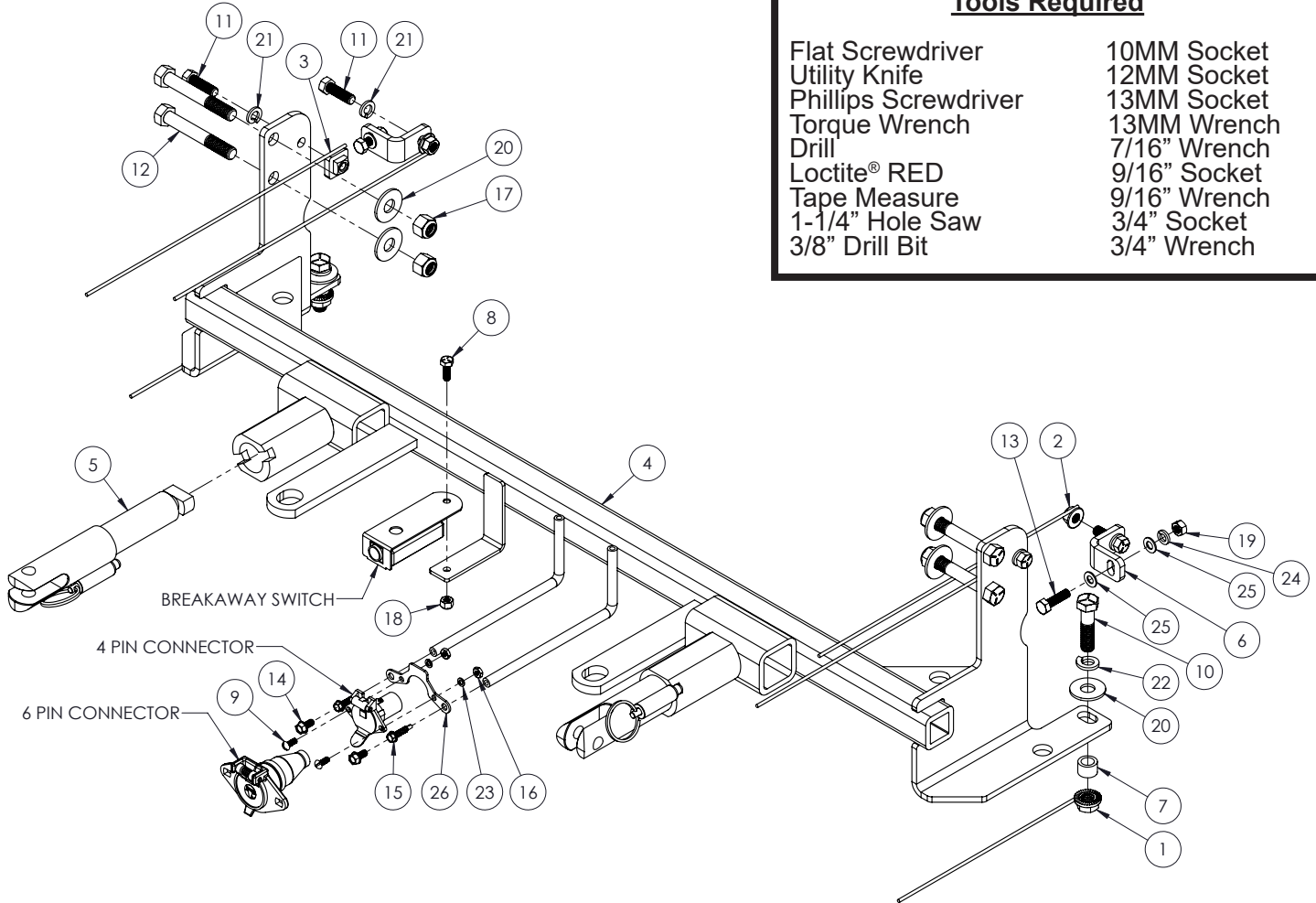
The BX8848 Tail Light Wiring Kit is recommended for this vehicle.

## ***NOTICE***

- Handling of some cosmetic parts when installing this product may require the use of protective covers, rags, specialty tools, etc. to prevent damage.
- When using power drills be aware of the dangers of torque and drill bit length.
- When using a reciprocating saw be aware of objects behind the cutting surface.
- Use a good quality paint to spray cut edges of frame to prevent rusting.
- Be sure that **ALL** electrical connections are plugged in and accessories are functioning properly before reinstalling the fascia.
- The baseplate is computer tested to your vehicle's GVWR, exceeding this weight will void the manufacturer's warranty.
- Be sure to use a sufficient amount of Loctite® Red on all bolt threads before tightening. Tighten all bolts according to the torque chart provided unless specified.
- Dealer or installer be certain the user receives these instruction sheets.
- If the baseplate is in an accident, it must be replaced. **DO NOT** use it again! An accident can cause unseen damage and using it again could result in more damage or serious injury. **DO NOT** use the baseplate if it is damaged or missing parts.

**BX1856**  
**2020-21 Nissan Versa Sedan (Manual Only) (No ICC)**  
**Installation Instructions**

| <b>Tools Required</b> |              |
|-----------------------|--------------|
| Flat Screwdriver      | 10MM Socket  |
| Utility Knife         | 12MM Socket  |
| Phillips Screwdriver  | 13MM Socket  |
| Torque Wrench         | 13MM Wrench  |
| Drill                 | 7/16" Wrench |
| Loctite® RED          | 9/16" Socket |
| Tape Measure          | 9/16" Wrench |
| 1-1/4" Hole Saw       | 3/4" Socket  |
| 3/8" Drill Bit        | 3/4" Wrench  |



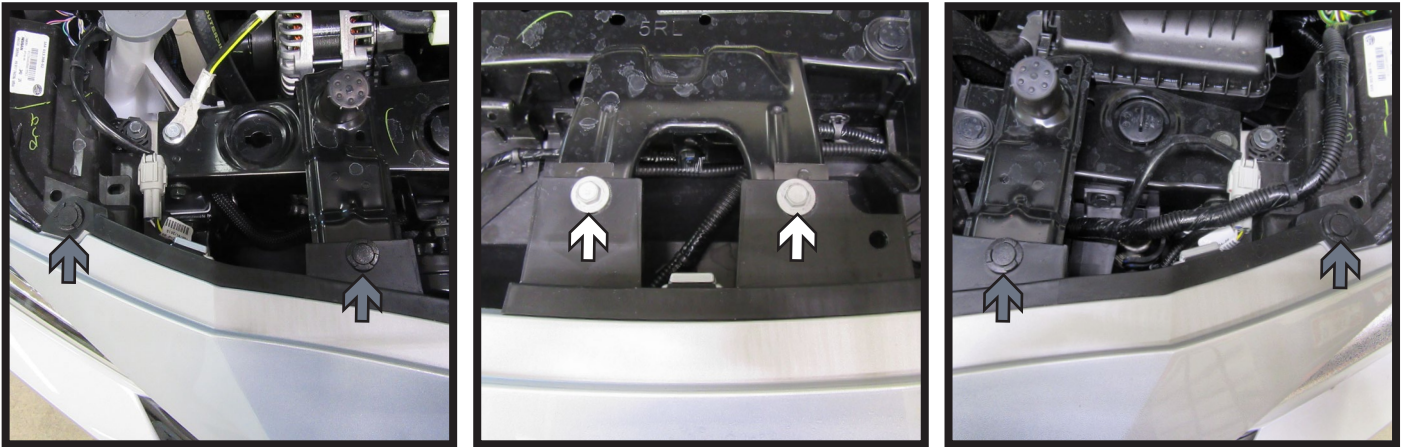
**BX1856**  
**2020-21 Nissan Versa Sedan (Manual Only) (No ICC)**  
**Installation Instructions**

| <u>Item No.</u> | <u>Part No.</u>          | <u>Description</u>                                  | <u>Qty.</u> |
|-----------------|--------------------------|---|-------------|
| 1.....          | 61-4029.....             | 1/2"-13 Whiz Nut w/ 10" Wire .....                  | 2           |
| 2.....          | 61-4978.....             | 3/8"-16 Whiz Nut w/ 14" Wire .....                  | 2           |
| 3.....          | 61-5208.....             | 3/8" Nut Plate w/ 14" Wire .....                    | 2           |
| 4.....          | 61-8303.....             | BX1856 Baseplate.....                               | 1           |
| 5.....          | 62-3469.....             | Attachment Tab Assembly with Hole .....             | 2           |
| 6.....          | 101-10394.....           | 1/4" x 1-7/8" Angle Bracket Plate w/Holes.....      | 2           |
| 7.....          | 107-1801.....            | 3/4" OD x 1/2" ID x 1/2" Tube .....                 | 2           |
| 8.....          | 201-0050.....            | 1/4"-20 x 3/4" Hex Head Bolt, Grade 5, ZP .....     | 1           |
| 9.....          | 201-0192.....            | #10-32 1/2" Round Slotted Head Screw.....           | 2           |
| 10.....         | 201-0283.....            | 1/2"-13 x 2: Hex Head Bolt, Grade 5, ZP.....        | 2           |
| 11.....         | 201-0368.....            | 3/8"-16 x 1-1/4" Hex Head Bolt, Grade 5, ZP .....   | 4           |
| 12.....         | 201-0369.....            | 1/2"-13 x 3-1/2" Hex Head Bolt, Grade 5, ZP .....   | 4           |
| 13.....         | 201-0446.....            | 8MM-1.25 x 30 MM Hex Head Bolt, Grade 8.8, ZP ..... | 2           |
| 14.....         | 201-0553.....            | 1/4"-20 x 1/2" Hex Washer Head Type FTC S, ZP ..... | 2           |
| 15.....         | 201-0979.....            | #12-14 x 1" Self Drilling Screw, ZP.....            | 2           |
| 16.....         | 202-0047.....            | #10-32 Hex Nut .....                                | 2           |
| 17.....         | 202-0094.....            | 1/2"13 Hex Nylon Insert Lock Nut, ZP .....          | 4           |
| 18.....         | 202-0102.....            | 1/4"-20 Hex Nylon Nut, ZP .....                     | 1           |
| 19.....         | 202-0118.....            | 8MM-1.25 Hex Nut, ZP.....                           | 2           |
| 20.....         | 203-0005.....            | 1/2" Flat Washer, ZP.....                           | 6           |
| 21.....         | 203-0010.....            | 3/8" Lock Washer, ZP .....                          | 4           |
| 22.....         | 203-0012.....            | 1/2" Lock Washer, ZP .....                          | 2           |
| 23.....         | 203-0054.....            | #10 Lock Washer, ZP .....                           | 2           |
| 24.....         | 203-0102.....            | 8MM Lock Washer, ZP .....                           | 2           |
| 25.....         | 203-0107.....            | 8MM Flat Washer, ZP .....                           | 4           |
| 26.....         | 299-0685.....            | 4-Way Bracket.....                                  | 1           |
| 27.....         | 226-0046(not shown)..... | Class III Safety Cables .....                       | 2           |
| 28.....         | 229-0359(not shown)..... | 3/8" Quicklink, ZP .....                            | 2           |
| 29.....         | 290-0275(not shown)..... | 8" Nylon Cable Tie.....                             | 1           |
| 30.....         | 290-0437(not shown)..... | Black Cap Plug Receiver.....                        | 2           |

**Important:**

Use only genuine factory replacement parts on your baseplate. Do **NOT** substitute homemade or non-typical parts. If a bolt is lost or in need of replacement, for your safety and the preservation of your baseplate, be sure to use a replacement bolt of the same grade (In most cases it will be Grade 5, please reference the parts list above). Replacement parts may be ordered through your nearest Blue Ox® Dealer or Distributor. Failing to follow and/or altering these installation instructions in either installation or required equipment will void the manufacturer's warranty. Towing behind a non-motorized vehicle will void the warranty.

BX1856  
2020-21 Nissan Versa Sedan (Manual Only) (No ICC)  
Installation Instructions



1. Using a 10MM socket, remove the two (2) bolts from the top of the fascia (white). Then remove the four (4) push pins, two (2) on each side (gray)



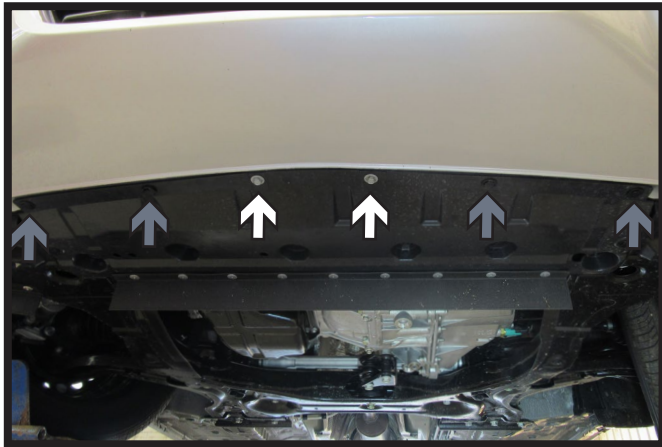
2. Using a flat head screw driver, pull back the wheel well liner. Then using a 10MM socket, remove the one (1) bolt. Do this on both sides of the vehicle.



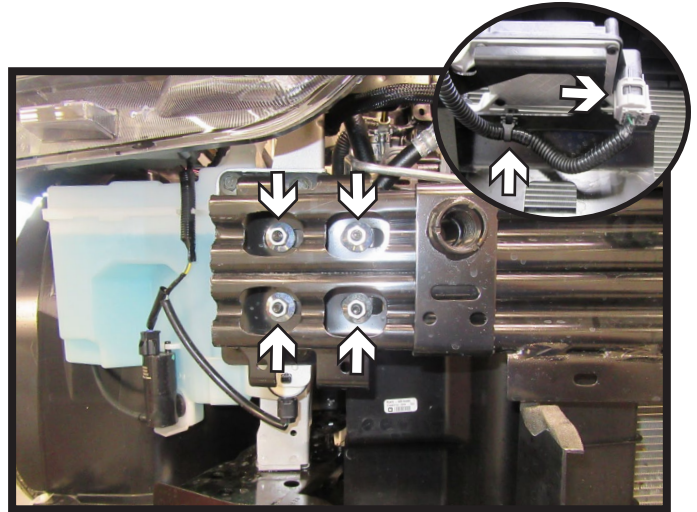
3. Using a Phillips screw driver, remove the three (3) screws from the underside of the fascia. Do this on both sides of the vehicle.



BX1856  
2020-21 Nissan Versa Sedan (Manual Only) (No ICC)  
Installation Instructions

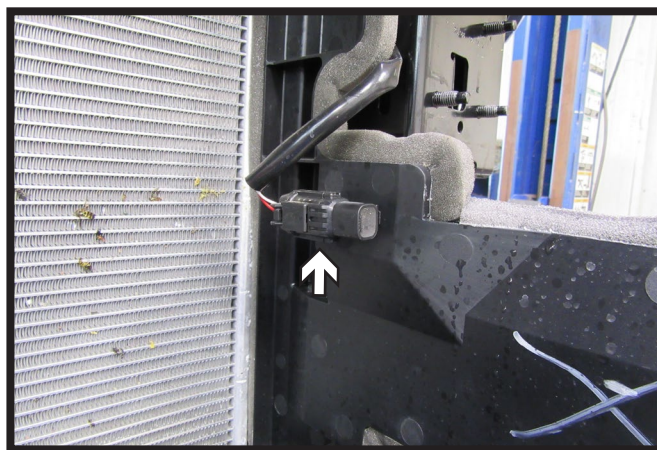


4. Using a 10MM socket, remove the two (2) bolts from the underside of the fascia (white). Then remove the four push pins (gray). Remove fascia and set aside to be reinstalled later.



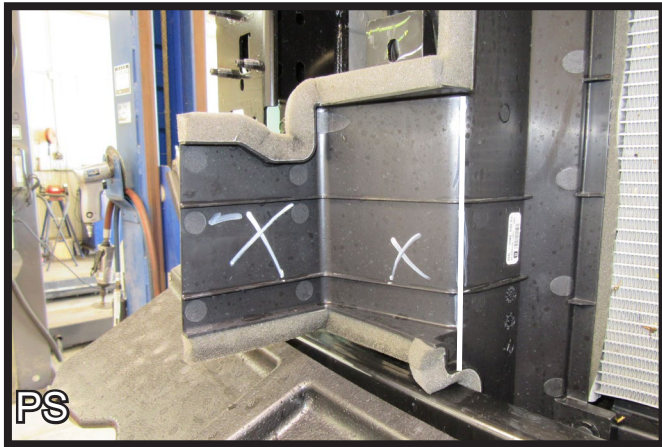
5. Using a 12MM socket, remove the four (4) nuts from the bumper. Do this on both sides of the vehicle. Unclip the wire loom and unplug electrical from sensor (inset).

Disconnect push pin on the passenger back side of the bumper, remove bumper and set aside to be reinstalled later.

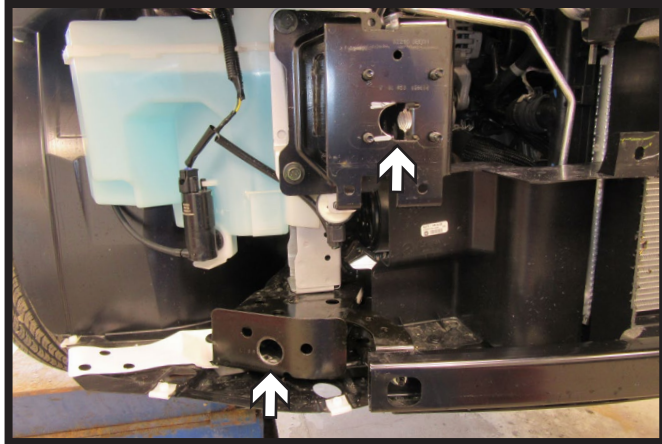


6. Remove the temperature sensor from the plastic shielding on the driver side of the vehicle. It will be repositioned later.

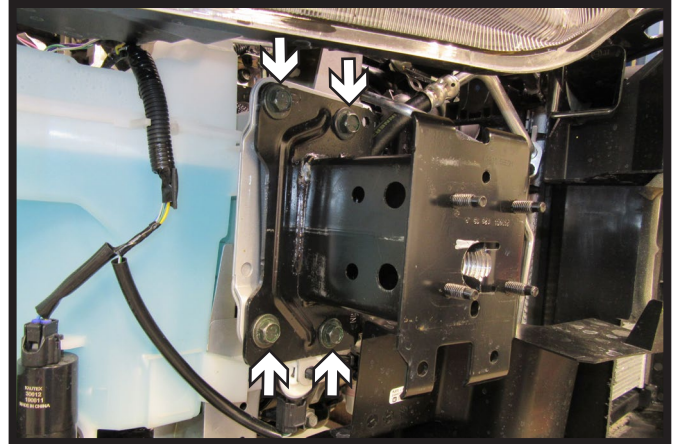
BX1856  
2020-21 Nissan Versa Sedan (Manual Only) (No ICC)  
Installation Instructions



7. Using a utility knife, trim the plastic shielding on both sides of the vehicle as indicated.



8. Using a 1-1/4" hole saw, drill two (2) access holes. Do this on both sides of the vehicle.

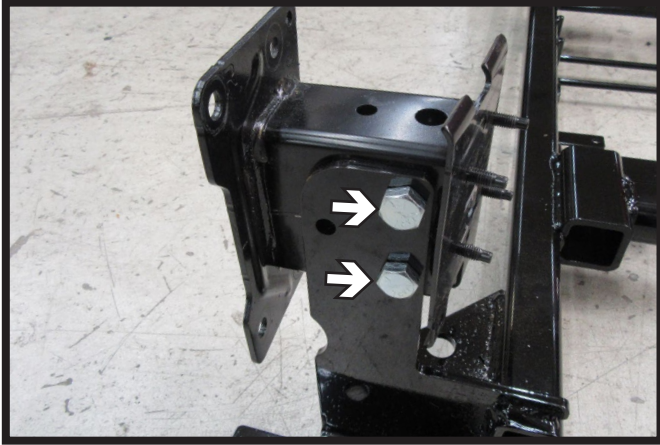


9. Using a 13MM socket, remove the four (4) bolts from the horn extension on the passenger side of the vehicle. Remove horn extension. It will be bolted to the baseplate before reinstallation.

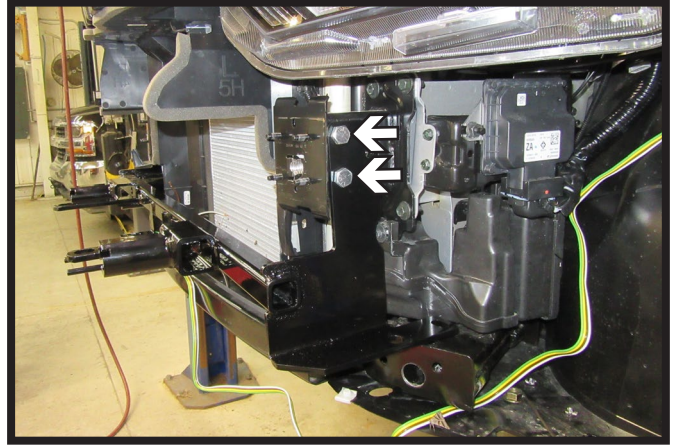
On the drive side of the vehicle remove the bottom outer bolt on the frame extension.



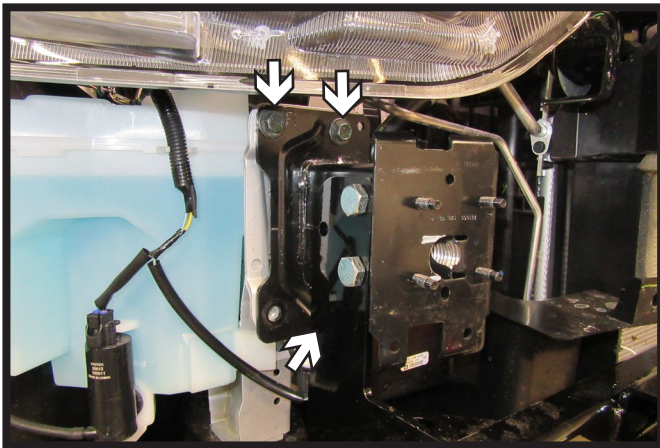
BX1856  
2020-21 Nissan Versa Sedan (Manual Only) (No ICC)  
Installation Instructions



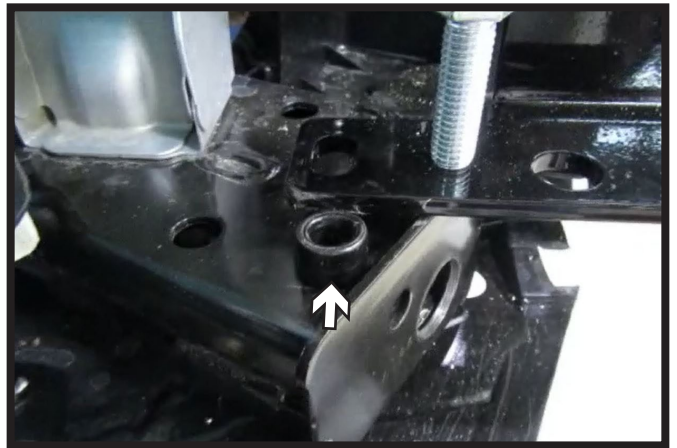
10. Using two (2) 1/2" bolts with hardware, loosely attach the horn extension to the passenger side of the baseplate.



11. Slide the baseplate into place and start the front two (2) 1/2" bolts with hardware on the drive side of the vehicle.



12. Reinstall the horn extension on the passenger side of the vehicle using only three (3) of the existing bolts. The bottom outer bolt on both sides of the vehicle will be installed later using supplied hardware.

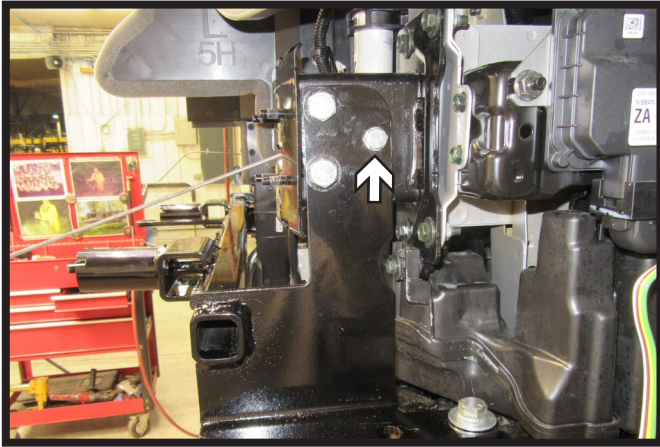


13. Place 1/2" spacer between baseplate and frame. Insert 1/2" bolt with hardware. Do this on both sides of the vehicle. Tighten all hardware at this time

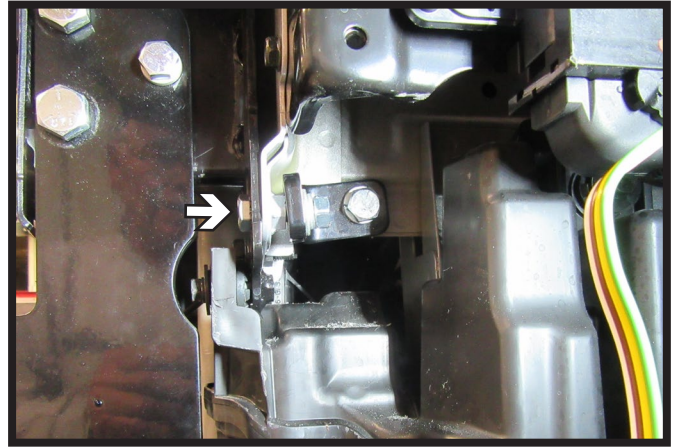
**\*\* Use Loctite® Red on all bolt threads and tighten all bolts to the appropriate torque.\*\***



BX1856  
2020-21 Nissan Versa Sedan (Manual Only) (No ICC)  
Installation Instructions

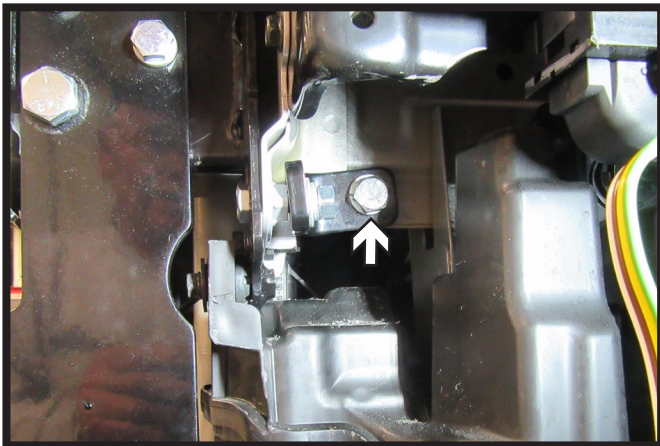


14. Using a 3/8" drill bit, drill the back hole of the baseplate. Install one (1) 3/8" bolt with hardware. Do this on both sides of the vehicle.



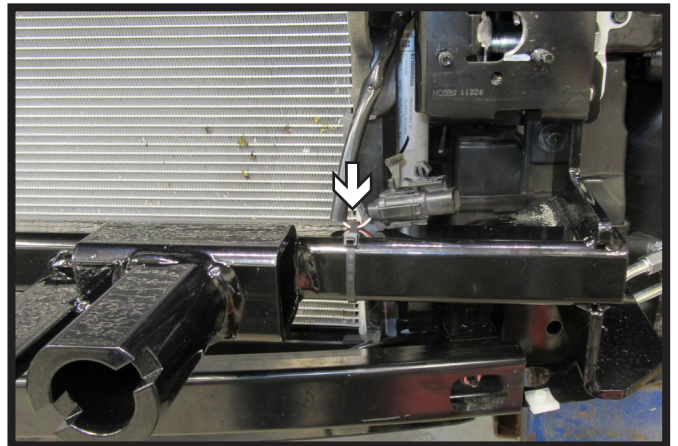
15. Insert the supplied 8MM bolt into the bottom outer hole of the frame extension. Attach hardware and angle bracket. Do this on both sides of the vehicle.

**\*\* Use Loctite® Red on all bolt threads and tighten all bolts to the appropriate torque.\*\***



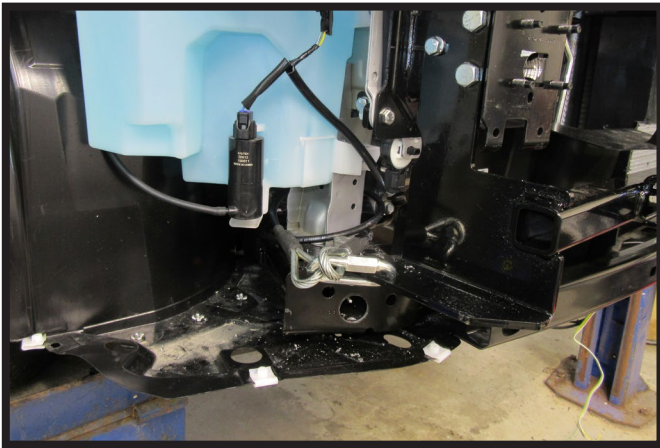
16. Using a 3/8" drill bit, drill a hole into the frame using the angle bracket as a guide. Install 3/8" bolt with hardware. Do this on both sides of the vehicle.

**\*\* Use Loctite® Red on all bolt threads and tighten all bolts to the appropriate torque.\*\***



17. Attach the temperature sensor to the baseplate on the driver side of the vehicle using the supplied zip tie.

BX1856  
2020-21 Nissan Versa Sedan (Manual Only) (No ICC)  
Installation Instructions



18. Attach the permanent baseplate safety cables to the provided convenience link on the baseplate. The photo above shows the recommended installation of the cables to frame of vehicle. Additional options may interfere with suggested mounting; in this case, secure the cables to a solid piece of the frame as described in the General Information sheet. Be sure the safety cables do not rub against any hoses or moving parts. Do this on **BOTH** sides of the vehicle.



19. Using a reciprocating saw, remove the indicated piece of the fascia to allow room for the baseplate. Do this on both sides of the fascia.



20. Reinstall the bumper and reconnect all electrical. Reinstall fascia.

BX1856  
2020-21 Nissan Versa Sedan (Manual Only) (No ICC)  
Installation Instructions

## **CUSTOMER SERVICE COMMITMENT**

Blue Ox® is committed to providing you with exceptional customer care throughout your lifetime with our products. Our team is here to assist you with any questions you may have regarding the performance of your product. Simply call (402) 385-3051 and you can speak with our technical service team.

Additionally, please visit our website to see which rallies our Destination America team will be attending. For a nominal fee, our service technician will service your towing system to ensure it's in proper working condition. Also, as a commitment to our customers, should you visit our factory, you can stay at our full service Blue Ox® campground at no charge along with enjoying a factory tour.

Again, thank you for being our customer and for the confidence you have shown in the performance of our products. It is because of customers like you we enjoy the success we have today.



© 2016 Blue Ox  
One Mill Road, Industrial Park  
Pender, Nebraska 68047  
Phone: (402) 385-3051  
Fax: (402) 385-3360  
[www.blueox.com](http://www.blueox.com)



# General Information

1. Ensure that your product(s) are registered online at [www.blueox.com](http://www.blueox.com). It is crucial to register your product(s) so that you may be alerted of product offerings, updates, upgrades, maintenance and safety bulletins, and/or recalls.
2. **It is the owner's responsibility to inspect all towing equipment for cracked welds, missing or worn parts and loose bolts before each towing trip.** Be sure to use Loctite® Red on all bolts and tighten to the recommended specifications.
3. **It is the owner's responsibility to hook up all towing equipment per manufacturer's instructions/recommendations.**
4. Remove the attachment tabs when not in use (if applicable).

## Notice To Baseplate Installer

### 1. It is YOUR responsibility to watch for:

- Oil cooler and air conditioner lines
- Electrical wires and hoses
- Missing parts or attaching points on the frame

\*\* If the baseplate is improperly installed and is against a wire or hose, it could cause fluid leaks or electrical shorts some time after the actual baseplate installation.

## Permanent Baseplate Safety Cable Installation

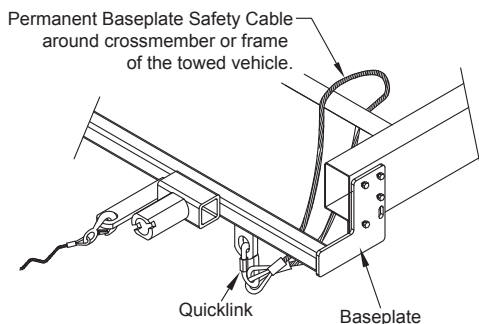
Permanent baseplate safety cables are strongly recommended when towing a vehicle with a tow bar. The principle function of the permanent baseplate safety cables is to prevent the towed vehicle from breaking loose in the event the connection between the frame of the towed vehicle and the baseplate fails or becomes disconnected. The cables must be connected from the baseplate to the frame rail or cross member of the vehicle's frame. The illustrations below show the possible arrangements recommended by Blue Ox®. Each permanent baseplate safety cable must have an adequate weight rating for the towing system. The weight rating of the two (2) cables together will not qualify.

***Do not mount the permanent baseplate safety cables against wires, hoses or brake lines.***

These permanent baseplate safety cables should remain installed as long as the baseplate is installed on the vehicle. Permanent baseplate safety cables are to be used in conjunction with, and NOT a replacement for legally required safety cables attaching the towed vehicle to the towing vehicle.

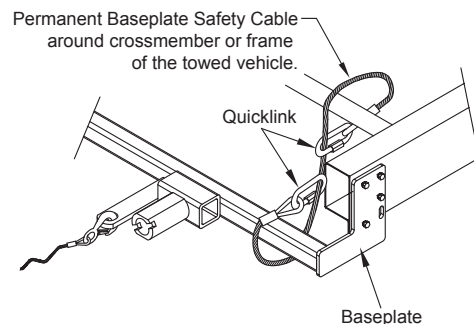
### Option #1

(Baseplates with Convenience Link Tabs)



### Option #2

(Baseplates with out Convenience Link Tabs)



# BLUE OX ORIGINAL PURCHASERS THREE YEAR LIMITED WARRANTY

Automatic Equipment Manufacturing Company ("Automatic") warrants to the original (first) retail purchaser that this product, manufactured by Automatic, shall be free from defect in material and workmanship under normal use and service for a period of three years from the date of delivery.

During said three-year period, Automatic will repair or replace any parts that have been returned by the original purchaser, to the factory, transportation prepaid, and in Automatic's sole and absolute opinion found to be defective.

Limitations on Warranty Coverage:

Coverage under this warranty will be valid only if the customer warranty card is returned by the original purchaser within 30 days of purchase.

Coverage under this warranty will be effective only when a copy of the original invoice, showing date and place of purchase, accompanies any claim for warranty. This warranty is NON TRANSFERABLE.

This limited warranty will not cover, in any way or form, any alleged damages caused by incorrect or improper installation, improper use, modification or neglect of product, failure to properly service and maintain, misuse, act of God, accident or failure of the user to follow guidelines contained in the instructional material provided by Automatic.

This warranty does not cover normal wear and tear, paint or rust.

Warrantor assumes no responsibility to the owner for loss of use of product, loss of time, inconvenience or any other damage consequential or otherwise. Including, but not limited to mileage, expense of transporting of product, return shipping expense, mechanics travel time, telephone, road service, towing, and rental during repairs, travel, lodging, loss or damage to personal property or loss of earnings.

**REPAIR OR REPLACEMENT AS SET FORTH IN THIS LIMITED WARRANTY IS THE SOLE EXCLUSIVE REMEDY OF THE PURCHASER. AUTOMATIC SHALL NOT BE LIABLE FOR ANY INCIDENTAL OR CONSEQUENTIAL DAMAGES FOR BREACH OF ANY EXPRESS OR IMPLIED WARRANTY ON THIS PRODUCT. EXCEPT TO THE EXTENT PROHIBITED BY APPLICABLE LAW, ANY IMPLIED WARRANTY OF MERCHANTABILITY OR FITNESS FOR A PARTICULAR PURPOSE ON THIS PRODUCT IS LIMITED IN LENGTH TO THE DURATION OF THIS WARRANTY.**

Please visit <http://blueox.com/warranty/> to register your warranty

