



## **BX3721 Installation Instructions 1989-95 Toyota 4WD Pick-Up 1990-95 Toyota 4-Runner**

Installation of this baseplate requires removing the front bumper assembly, the tie down brackets, and, if applicable, the skid plate and the tow hook.

1. Read the General Instruction Sheet included with this baseplate.
2. The baseplate mounts to the front underside of the vehicle using eight bolts; four on each side.
3. Remove the front turn signal lenses from the bumper using a phillips head screw driver. Note that the rubber seal is loose. Slide the turn signal assembly out toward the back of the bumper and let it hang loose. Save the screws for re-installation.
4. Remove the front bumper assembly using a 14mm socket. It is held on by a total of 4 bolts, 2 on each side. They are parallel to the ground and perpendicular to the center of the vehicle. The lower sheet metal valence will come off with the bumper. Save the bolts for re-installation.
5. Remove the skid plate (if the vehicle has one) using a 12mm socket. It is mounted by 4 bolts, 2 in front and 2 at the rear.
6. Remove the tie down bracket(s) and tow hook (if the vehicle has one) using a 17mm socket. These are located on each side of the chassis at the lower front. Save the 2 short bolt/washer assemblies. The tow hook long bolts will not be re-used.
7. Note there are 4 threaded holes, 2 on each side, facing forward on the front chassis cross member. These 4 holes plus the 4 holes that mounted the tie down bracket/tow hook are the baseplate mounting points.
8. Hold the baseplate in position to check hole alignment. Hand start one bolt on each side and push the baseplate firmly into position noting each hole. The two underside and the two front inside holes are 12mm x 1.25 and the front outside are 10mm x 1.25.
9. The dimensional variations between otherwise identical cars can be considerable. While the locations and size of the holes in the baseplate were designed to facilitate easy installation, it may be necessary to file or drill a hole slightly to allow a bolt to clear.
10. On some models there is a thin sheet metal bracket that may interfere slightly in the vertical alignment. It will have to be tapped with a hammer to flatten the flange. It is a very minor operation.
11. With all holes aligned, begin installation. Refer again to the Special Notice - it is important.
12. Hand start all 8 bolts with a lockwasher on each. Note that the two original tie down bracket bolts will be re-used. The other 6 bolts come from the hardware kit. Note that the spacer washers go in between the baseplate and the chassis cross member on the front facing side.
13. Tighten all bolts, a little at a time, in rotation to assure a firm, true fit.
14. On skid plate equipped models hold the skid plate in position. Note the baseplate cross angle is now between the front skid plate mounts and the chassis. Using the 8mm bolts and lockwashers provided, remount the front by going through the large holes in the baseplate to the original nuts. The rear skid plate slot holes must now be elongated about 1/8" with a rat tail file. Re-use the original bolts to remount the rear.
15. Reverse steps 3 & 4 to remount the bumper and turn signals.
16. Install the tow bar and safety cables according to the instructions included in their packages.
17. Do not substitute other devices if the pin and clip are lost.
18. DEALER OR INSTALLER: BE CERTAIN THE USER RECEIVES THE INSTRUCTION SHEET.

# **Automatic**

### Tools Required

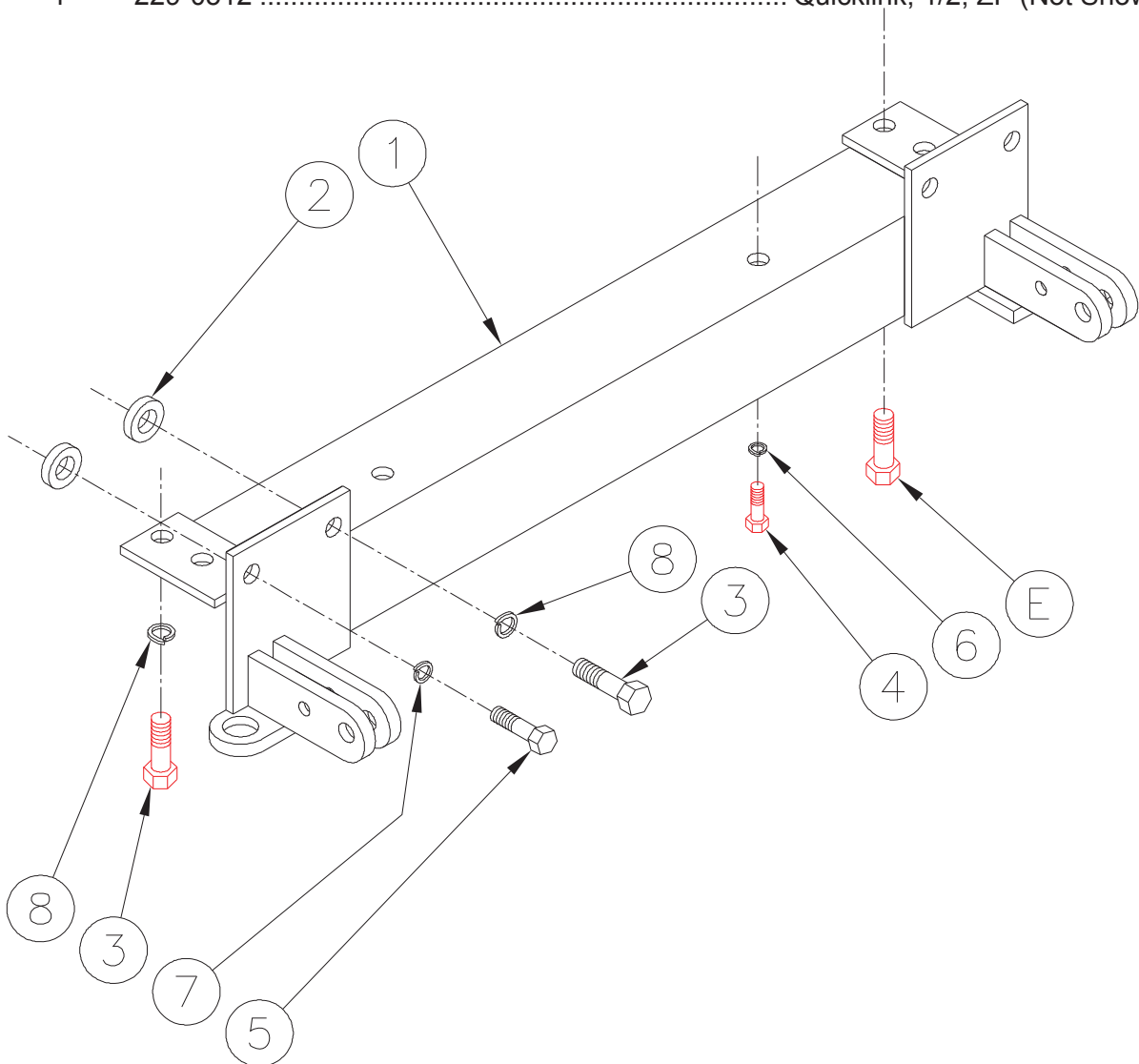
3/4" Socket  
14mm Socket  
Loctite Blue

12mm Socket  
17mm Socket  
Phillips Screwdriver

13mm Socket  
19mm Socket

### Parts List

Ref. No.	Qty.	Part No.	Description
1	1	61-3549	Baseplate, BX3721
2	4	102-2962	Spacer Washer
3	4	201-0411	12mm-1.25 x 40mm Hex Bolt Grd 8.8
4	2	201-0418	8mm - 1.25 x 40mm Hex Bolt Grd. 8.8
5	2	201-0423	10mm-1.25 x 35mm Hex Bolt Grd 8.8
6	2	203-0102	8mm Lock Washer
7	2	203-0104	10mm Lock Washer
8	4	203-0105	12mm Lock Washer
	2	226-0049	Baseplate Safety Cable, 36" CL IV (Not Shown)
	4	229-0512	Quicklink, 1/2, ZP (Not Shown)



# General Information

1. Ensure that your product(s) are registered online at [www.blueox.com](http://www.blueox.com). It is crucial to register your product(s) so that you may be alerted of product offerings, updates, upgrades, maintenance and safety bulletins, and/or recalls.
2. **It is the owner's responsibility to inspect all towing equipment for cracked welds, missing or worn parts and loose bolts before each towing trip.** Be sure to use Loctite® Red on all bolts and tighten to the recommended specifications.
3. **It is the owner's responsibility to hook up all towing equipment per manufacturer's instructions/recommendations.**
4. Remove the attachment tabs when not in use (if applicable).

## Notice To Baseplate Installer

### 1. It is YOUR responsibility to watch for:

- Oil cooler and air conditioner lines
- Electrical wires and hoses
- Missing parts or attaching points on the frame

\*\* If the baseplate is improperly installed and is against a wire or hose, it could cause fluid leaks or electrical shorts some time after the actual baseplate installation.

## Permanent Baseplate Safety Cable Installation

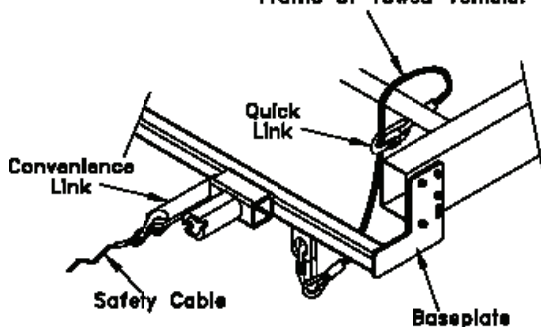
Permanent baseplate safety cables are strongly recommended when towing a vehicle with a tow bar. The principle function of the permanent baseplate safety cables is to prevent the towed vehicle from breaking loose in the event the connection between the frame of the towed vehicle and the baseplate fails or becomes disconnected. The cables must be connected from the baseplate to the frame rail or cross member of the vehicle's frame. The illustrations below show the possible arrangements recommended by Blue Ox®. Each permanent baseplate safety cable must have an adequate weight rating for the towing system. The weight rating of the two (2) cables together will not qualify.

***Do not mount the permanent baseplate safety cables against wires, hoses or brake lines.***

These permanent baseplate safety cables should remain installed as long as the baseplate is installed on the vehicle. Permanent baseplate safety cables are to be used in conjunction with, and NOT a replacement for legally required safety cables attaching the towed vehicle to the towing vehicle.

### OPTION #1

Permanent Baseplate Safety Cables to Cross Member or Frame of Towed Vehicle.



### OPTION #2

Permanent Baseplate Safety Cables to Cross Member or Frame of Towed Vehicle.

