



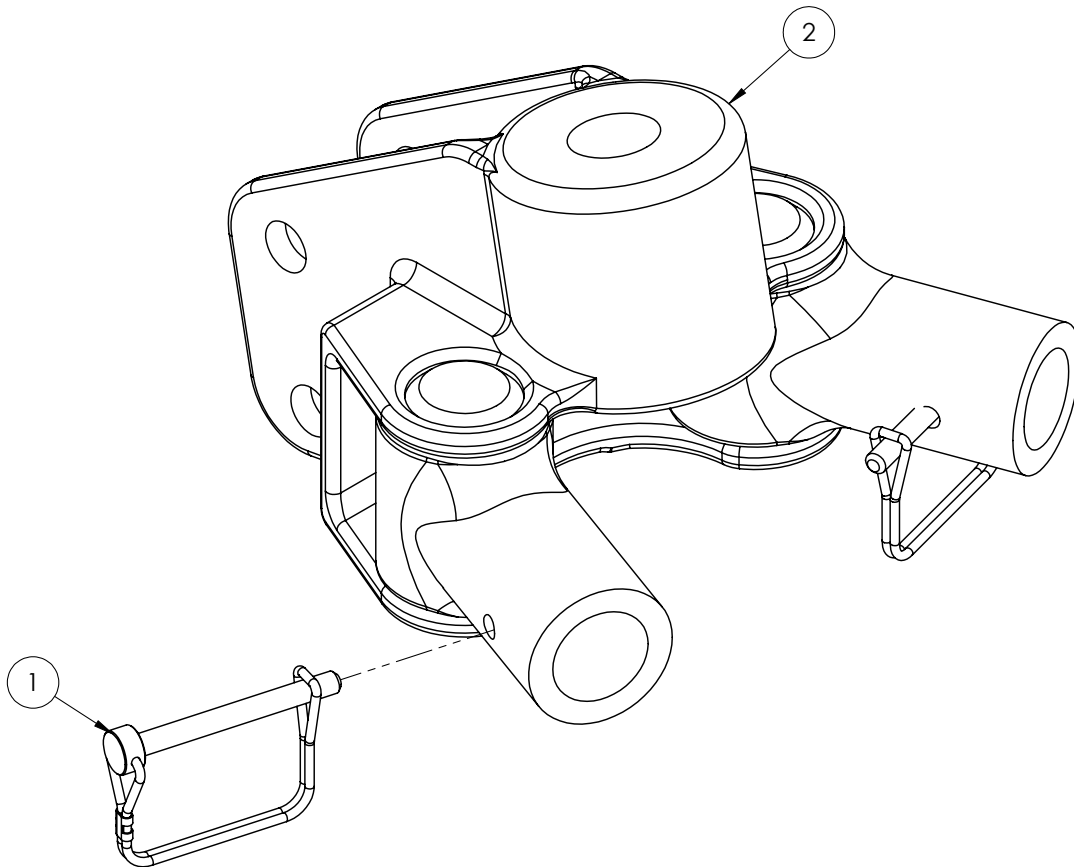
BXW4048 & BXW4077 Hitch Head Kit Installation Instructions

CAUTION

Before installing the Hitch Head Kit unhook the trailer from the hitch head. Also remove the assembly bars from the hitch head.

BXW4048 Standard Hitch Head

1. Remove the existing hitch head from the receiver hitch mount. Do not discard fasteners, they will be reinstalled. If being reused, remove the ball from the existing hitch head and install onto the new hitch head. Torque to manufacturer's specifications.
2. Install the new hitch head onto the receiver hitch mount in the previously used location, using the existing 3/4" fasteners. Torque the bolts to 260 ft/lbs.



Item No.	Part No.	Description	Qty.
1.....	229-0440	5/16" x 2-1/2" Eff. Spring Lock Pin.....	2
2.....	299-0845	Hitch Head.....	1

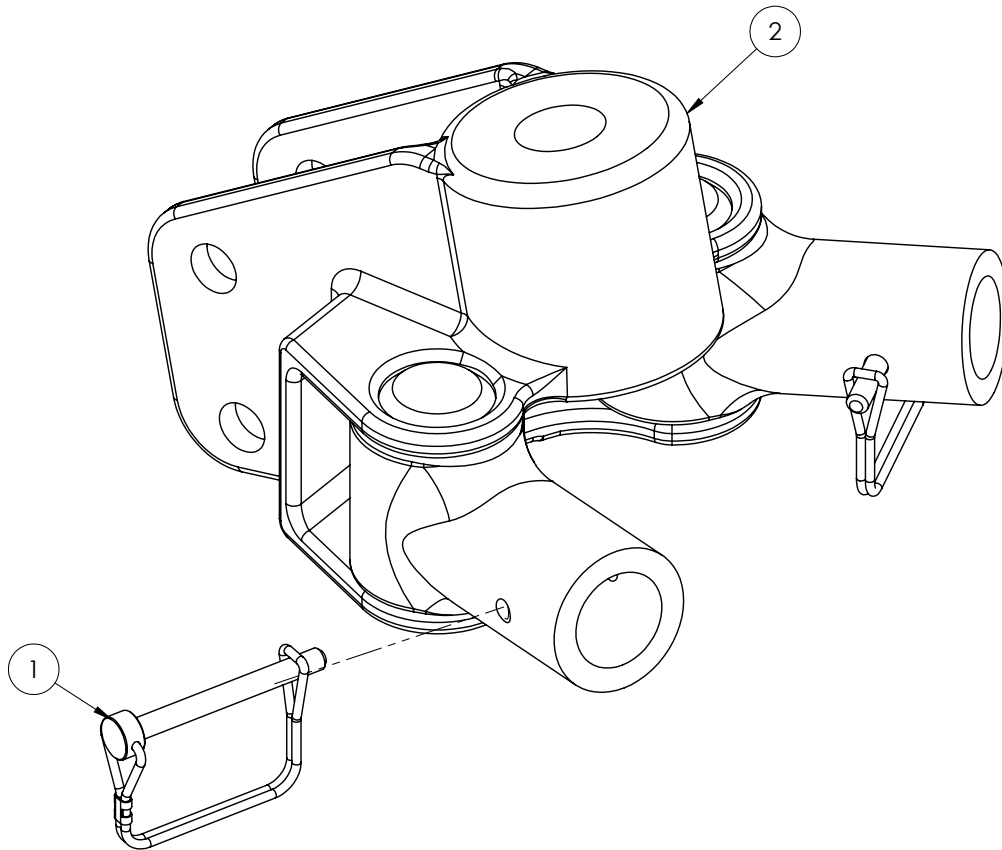
BXW4048 & BXW4077 Hitch Head Kits Installation Instructions

CAUTION

Before installing the Hitch Head Kit unhook the trailer from the hitch head. Also remove the assembly bars from the hitch head.

BXW4077 Underslung Hitch Head

1. Remove the existing hitch head from the receiver hitch mount. Do not discard fasteners, they will be reinstalled. If being reused, remove the ball from the existing hitch head and install onto the new hitch head. Torque to manufacturer's specifications.
2. Install the new hitch head onto the receiver hitch mount in the previously used location, using the existing 3/4" fasteners. Torque the bolts to 260 ft/lbs.



Item No.	Part No.	Description	Qty.
1.....	229-0440	15/16" x 2-1/2" Eff. Spring Lock Pin.....	2
2.....	299-0859	Underslung Hitch Head	1

BXW4048 & BXW4077
Hitch Head Kits
Installation Instructions

CUSTOMER SERVICE COMMITMENT

Blue Ox® is committed to providing you with exceptional customer care throughout your lifetime with our products. Our team is here to assist you with any questions you may have regarding the performance of your product. Simply call (402) 385-3051 and you can speak with our customer care team.

Additionally, please visit our website to see which rallies our Destination America team will be attending. For a nominal fee, our service technician will service your towing system to ensure it's in proper working condition. Also, as a commitment to our customers, should you visit our factory, you can stay at our full service Blue Ox® campground at no charge along with enjoying a factory tour.

Again, thank you for being our customer and for the confidence you have shown in the performance of our products. It is because of customers like you we enjoy the success we have today.



© 2013 Blue Ox
One Mill Road, Industrial Park
Pender, Nebraska 68047
Phone: (402) 385-3051
Fax: (402) 385-3360
www.blueox.com