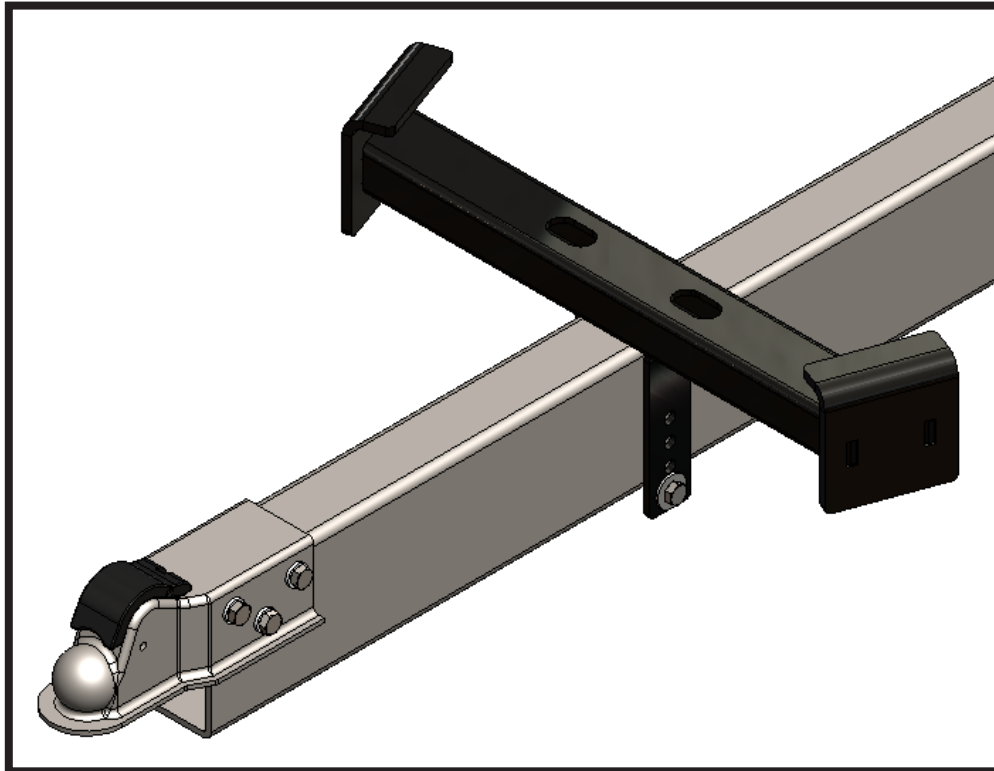




BXW4023

Pole Tongue Adapter Kit Installation Instructions



Pole Tongue Adapter Kit

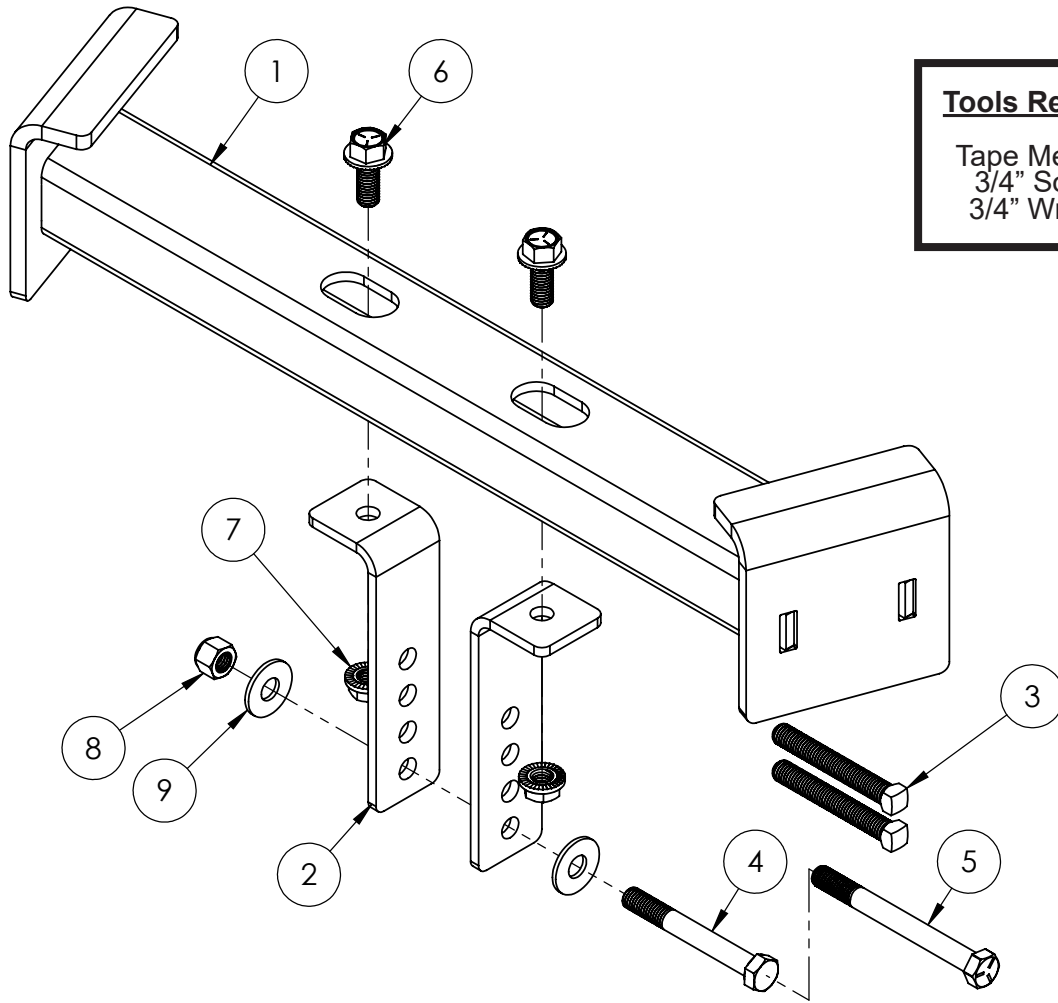
Fits tongue widths of 2-3/4" to 4-1/2"

Fits tongue heights of 3" to 6"

Note: Maximum 2,000 lbs. tongue weight capacity

BXW4023

Pole Tongue Adapter Kit Installation Instructions



Tools Required	
Tape Measure	
3/4" Socket	
3/4" Wrench	

Item No.	Part No.	Description	Qty.
1.....	61-8220	Pole Tongue Adapter	1
2.....	101-10273	Frame Mounting Plate	2
3.....	101-0538	1/2"-13 x 3-1/2" Square Head Cut Point Set Screw	2
4.....	201-0581	1/2"-13 x 4" Hex Head Bolt, Grade 5, ZP	1
5.....	201-0786	1/2"-13 x 5" Hex Head Bolt, Grade 5, ZP	1
6.....	201-1048	1/2"-13 x 1-1/4" Whiz Flange Bolt, Grade 5, ZP	2
7.....	202-0072	1/2"-13 Hex Flange Whiz Lock Nut, ZP	2
8.....	202-0094	1/2"-13 Hex Nylon Insert Lock Nut, ZP	1
9.....	203-0005	1/2" Flat Washer	2

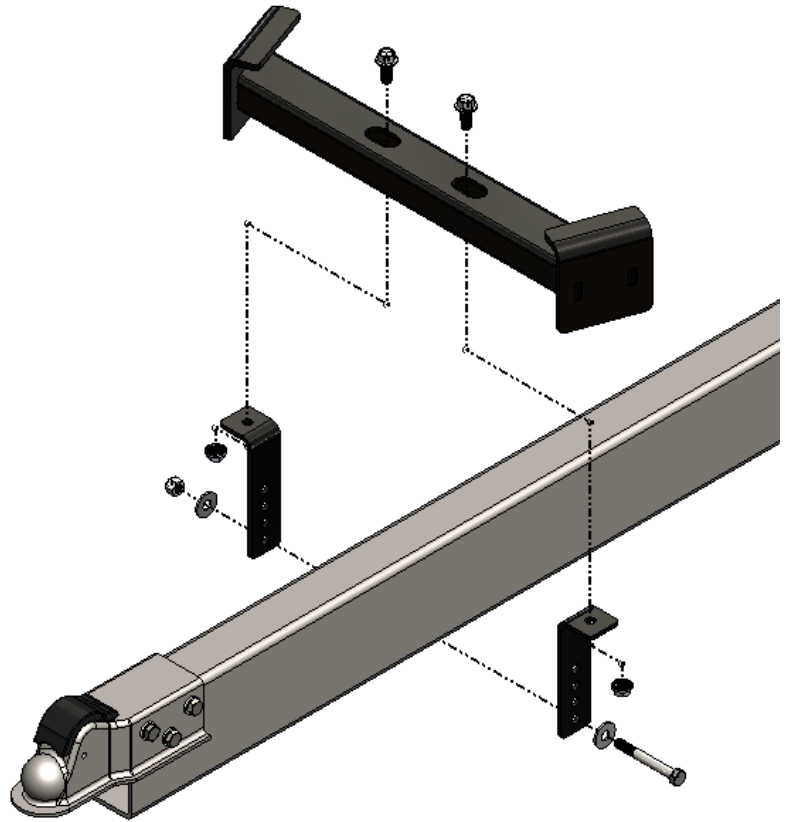
BXW4023

Pole Tongue Adapter Kit

Installation Instructions

Installation Instructions

1. Center the pole tongue adapter on the trailer tongue. Measure 26-1/4" from the center of the coupler to the center of the pole tongue adapter. This measurement may vary depending on the weight distribution system used.
2. Start the 1/2"-13 x 1-1/4" bolts with hardware, loosely attaching frame mounting bracket.
3. Ensure the adapter is centered on the trailer tongue and frame mounting plates are against the frame. Tighten the 1/2"-13 x 1-1/4" bolts to 78 ft/lbs.
4. Insert the 1/2"-13 x 4" or 1/2"-13 x 5" bolt with hardware directly under the trailer tongue. Tighten until brackets and adapter are clamped securely on tongue. **Do not over tighten causing damage to the trailer tongue.**
5. Install latch brackets onto adapter per the manufactures instructions.



CUSTOMER SERVICE COMMITMENT

Blue Ox® is committed to providing you with exceptional customer care throughout your lifetime with our products. Our team is here to assist you with any questions you may have regarding the performance of your product. Simply call (402) 385-3051 and you can speak with our customer care team.

Additionally, please visit our website to see which rallies our Destination America team will be attending. For a nominal fee, our service technician will service your towing system to ensure it's in proper working condition. Also, as a commitment to our customers, should you visit our factory, you can stay at our full service Blue Ox® campground at no charge along with enjoying a factory tour.

Again, thank you for being our customer and for the confidence you have shown in the performance of our products. It is because of customers like you we enjoy the success we have today.

© 2014 Blue Ox
One Mill Road, Industrial Park
Pender, Nebraska 68047
Phone: (402) 385-3051
Fax: (402) 385-3360
www.blueox.com

BLUE OX ORIGINAL PURCHASERS LIMITED LIFETIME WARRANTY

Automatic Equipment Manufacturing Company ("Automatic") warrants to the original (first) retail purchaser that this product, manufactured by Automatic, shall be free from defect in material and workmanship under normal use and service for as long as the original retail purchaser owns the product.

During said period, Automatic will repair or replace any parts that have been returned by the original purchaser, to the factory, transportation prepaid, and in Automatic's sole and absolute opinion found to be defective.

Limitations on Warranty Coverage:

Coverage under this warranty will be valid only if the customer warranty card is returned by the original purchaser within 30 days of purchase.

Coverage under this warranty will be effective only when a copy of the original invoice, showing date and place of purchase, accompanies any claim for warranty. This warranty is NON TRANSFERABLE.

This limited warranty will not cover, in any way or form, any alleged damages caused by incorrect or improper installation, improper use, modification or neglect of product, failure to properly service and maintain, misuse, act of God, accident or failure of the user to follow guidelines contained in the instructional material provided by Automatic.

This warranty does not cover normal wear and tear, paint or rust.

Warrantor assumes no responsibility to the owner for loss of use of product, loss of time, inconvenience or any other damage consequential or otherwise. Including, but not limited to mileage, expense of transporting of product, return shipping expense, mechanics travel time, telephone, road service, towing, and rental during repairs, travel, lodging, loss or damage to personal property or loss of earnings.

REPAIR OR REPLACEMENT AS SET FORTH IN THIS LIMITED WARRANTY IS THE SOLE EXCLUSIVE REMEDY OF THE PURCHASER. AUTOMATIC SHALL NOT BE LIABLE FOR ANY INCIDENTAL OR CONSEQUENTIAL DAMAGES FOR BREACH OF ANY EXPRESS OR IMPLIED WARRANTY ON THIS PRODUCT. EXCEPT TO THE EXTENT PROHIBITED BY APPLICABLE LAW, ANY IMPLIED WARRANTY OF MERCHANTABILITY OR FITNESS FOR A PARTICULAR PURPOSE ON THIS PRODUCT IS LIMITED IN LENGTH TO THE DURATION OF THIS WARRANTY.

Please visit <http://blueox.com/warranty/> to register your warranty

