



## **BX88417**

# 2" Receiver, Adjustable Drop Receiver Add-On Installation Instructions



## 2" Receiver, Adjustable Drop Receiver Add-On BX88417

**\*500 lb. Weight Rated when used as an add-on receiver with accessories  
such as a bike rack, etc.\***

10,000 lb. Weight Rated when used as a replacement receiver for flat tow

BX88417  
2" Receiver, Adjustable Drop Receiver Add-On  
Installation Instructions

**Note: For Flat Towing Use Only.**

**Tools Required**  
Tape Measure

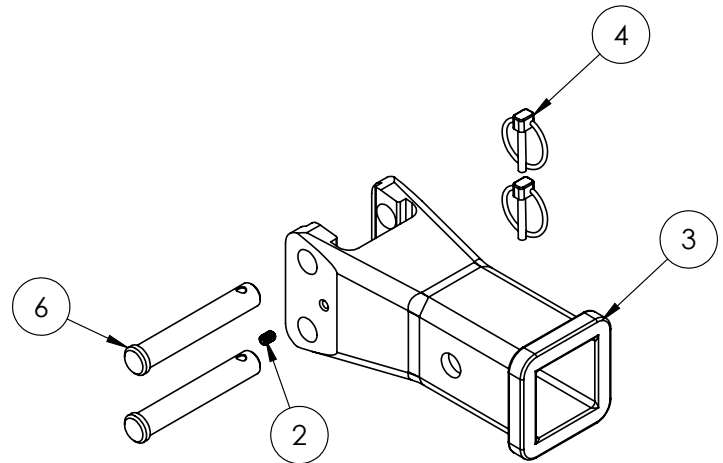
2. Install the adjustable receiver onto the receiver shank, using the 5/8" x 3-11/16" pins with 3/16" x 1-1/4" lynch pins above primary receiver. Ensure that the add-on receiver and products use with the add-on receiver do not interfere with primary receiver or flat towing products.

**Note:** Moving up or down one hole on the receiver allows for 1" of adjustment.

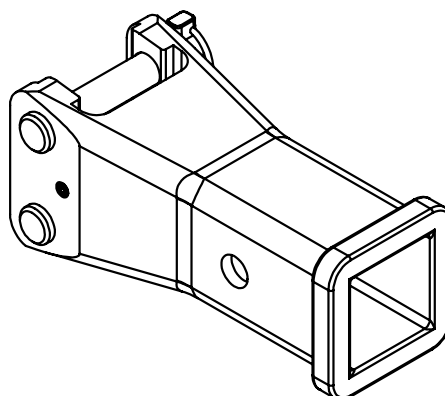
**Note:** When properly installed the lynch pin ring will snap back onto itself, and the chamfered side will be facing outwards.

3. Insert set screw to eliminate any excess play.

**Note:** Add-on accessory weight should not exceed the hitch weight rating of 500 lbs.



Item No.	Part No.	Description	Qty.
1	63-4938	Bolt Bag	1
2	201-1142	1/4"-20 x 3/8" Set Screw, SS	1
3	210-0197	2" Adjustable Drop Receiver	1
4	299-0829	3/16" x 1-1/4" Lynch Pin	2
5	229-1227	1/8" Drive x 3-3/4" Long Hex Key	1
6	299-0801	5/8" Dia. x 3-1/2" Eff. Pin, ZP	2



BX88417  
2" Receiver, Adjustable Drop Receiver Add-On  
Installation Instructions

### **CUSTOMER SERVICE COMMITMENT**

Blue Ox® is committed to providing you with exceptional customer care throughout your lifetime with our products. Our team is here to assist you with any questions you may have regarding the performance of your product. Simply call (402) 385-3051 and you can speak with our customer care team.

Additionally, please visit our website to see which rallies our Destination America team will be attending. For a nominal fee, our service technician will service your towing system to ensure it's in proper working condition. Also, as a commitment to our customers, should you visit our factory, you can stay at our full service Blue Ox® campground at no charge along with enjoying a factory tour.

Again, thank you for being our customer and for the confidence you have shown in the performance of our products. It is because of customers like you we enjoy the success we have today.



© 2013 Blue Ox  
One Mill Road, Industrial Park  
Pender, Nebraska 68047  
Phone: (402) 385-3051  
Fax: (402) 385-3360  
[www.blueox.com](http://www.blueox.com)