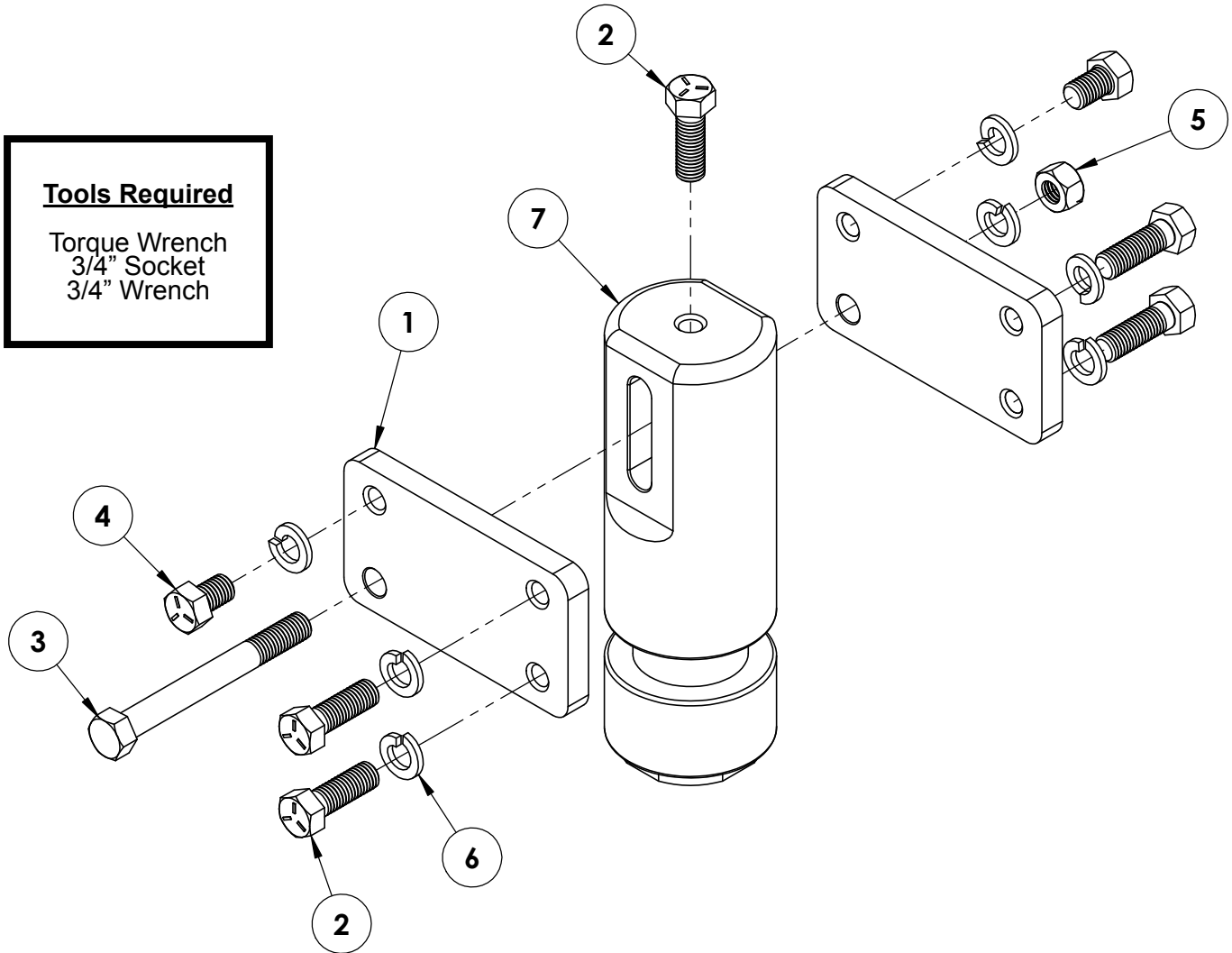




DH9008 Companion Hitch Adapter Kit Installation Instructions

Fits B&W Companion Fifth Wheel Hitch Model RVK3500
to Blue Ox® Gooseneck Hitch

Tools Required
Torque Wrench
3/4" Socket
3/4" Wrench



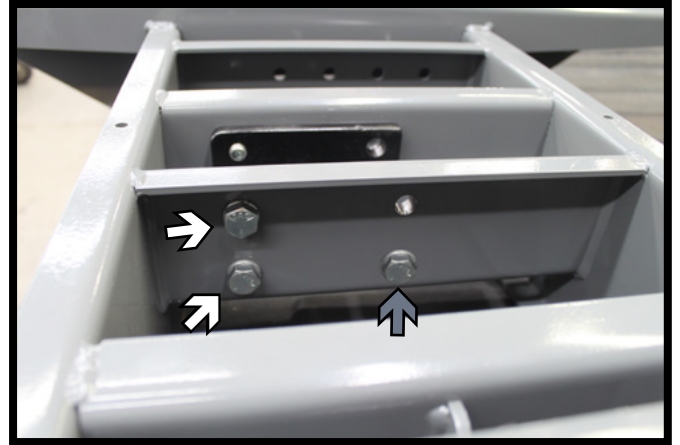
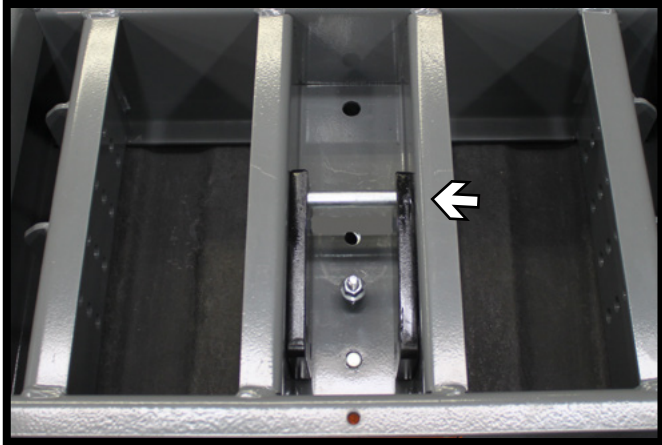
Item No.	Part No.	Description	Qty.
1.....	101-8586	DH9008 Adapter Plate.....	2
2.....	201-0051	1/2"-13 x 1-1/2" Hex Head Bolt, Grade 5, ZP	5
3.....	201-0147	1/2"-13 x 4-1/2" Hex Head Bolt, Grade 5, ZP	1
4.....	201-0988	1/2"-13 x 3/4" Hex Head Bolt, Grade 5, ZP	2
5.....	202-0005	1/2"-13 Hex Nut, ZP.....	1
6.....	203-0012	1/2" Lock Washer, ZP	7
7.....	299-0641	Companion Adapter Shank	1

Important:

Use only genuine factory replacement parts on your hitch kit. Do **NOT** substitute homemade or non-typical parts. If a bolt is lost or in need of replacement, for your safety and the preservation of your hitch, be sure to use a replacement bolt of the same grade (In most cases it will be Grade 5, please reference the parts list above). Replacement parts may be ordered through your nearest Blue Ox® Dealer or Distributor. Failing to follow and/or altering these installation instructions in either installation or required equipment will void the manufacturer's warranty.

DH9008
Companion Hitch Adapter Kit
Installation Instructions

1. Install the plastic feet per manufacturer's instructions. Remove the hitch head per manufacturer's instructions. Flip over the hitch onto a solid surface to expose the underside.

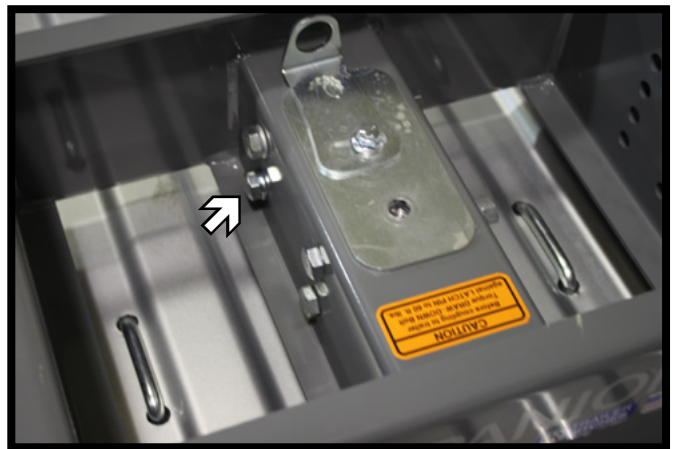


2. Install the adapter plates into hitch channel. Loosely install the 1/2"-13 x 4-1/2" bolt towards the rear of the hitch to hold the plates in position.

3. Install the four (4) 1/2"-13 x 1-1/2" bolts with lock washers thru the hitch into the plates (white). Install the two (2) 1/2"-13 x 3/4" bolts with lock washers thru the hitch into the plates (gray). Torque the six (6) bolts to 78 ft/lbs, then remove the 1/2"-13 x 4-1/2" bolt installed previously.

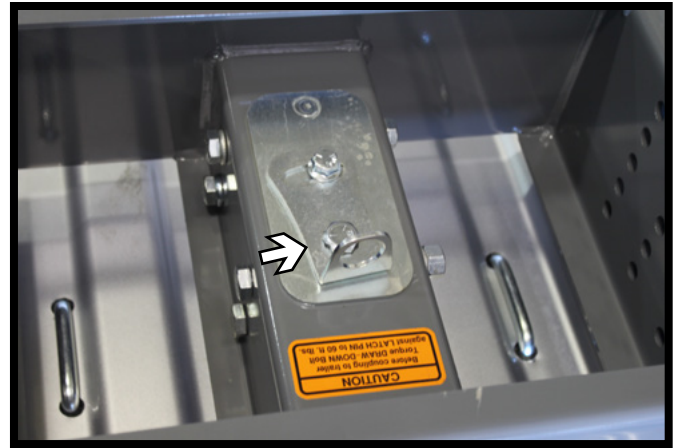
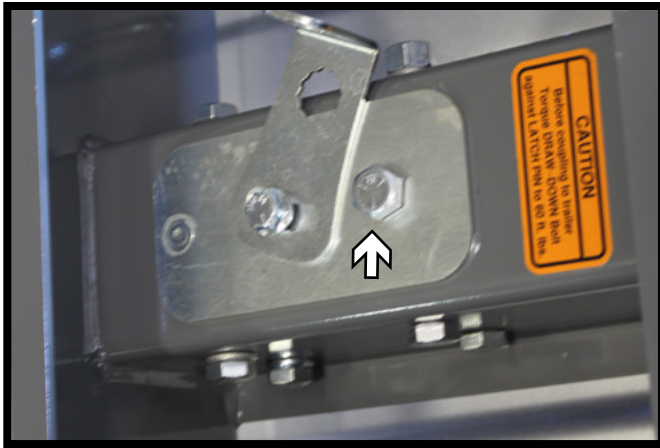


4. Install the hitch shank into the gooseneck hitch. Insure the flats of the shank are parallel to the bed ribs.



5. Install the hitch onto the shank. Install the 1/2"-13 x 4-1/2" bolt thru the hitch and shank with a lock washer and nut on the opposite side. Torque the bolts to 78 ft/lbs.

DH9008 Companion Hitch Adapter Kit Installation Instructions



6. Install the 1/2"-13 x 1-1/2" top bolt thru the hitch into the shank. Align the plastic pads per manufacturer's instructions.
7. Torque the top bolt to 60 ft/lbs and install the locking bracket over the top bolt and secure in place.
8. Reinstall the hitch head and use the per manufacturer's instructions.
9. To remove the hitch from the truck, remove the top bolt and 1/2"-13 x 4-1/2" bolt. Then lift the hitch off the shank.

CUSTOMER SERVICE COMMITMENT

Blue Ox® is committed to providing you with exceptional customer care throughout your lifetime with our products. Our team is here to assist you with any questions you may have regarding the performance of your product. Simply call (402) 385-3051 and you can speak with our customer care team.

Additionally, please visit our website to see which rallies our Destination America team will be attending. For a nominal fee, our service technician will service your towing system to ensure it's in proper working condition. Also, as a commitment to our customers, should you visit our factory, you can stay at our full service Blue Ox® campground at no charge along with enjoying a factory tour.

Again, thank you for being our customer and for the confidence you have shown in the performance of our products. It is because of customers like you we enjoy the success we have today.

© 2015 Blue Ox
One Mill Road, Industrial Park
Pender, Nebraska 68047
Phone: (402) 385-3051
Fax: (402) 385-3360
www.blueox.com