



BX2170

1998-2006 Ford Ranger Pickup (2WD, No Northland Edition)
2000 Ford Ranger Pickup (4WD, No Northland Edition)
2000-2005 Mazda B2300/B3000 (2WD/4WD)
2000-2003 Mazda B2500/B4000 (2WD/4WD)
1978-1980 Mazda GLC Sedan
Installation Instructions

Attachment Tab Height: 17"

Attachment Tab Width: 24"

Serial Number

Please read BOTH these Installation Instructions and the General Information sheet prior to installing or operating this equipment.

1. Blue Ox® towing products and accessories are intended to be installed by Blue Ox® Dealers who are familiar with our products and have the equipment and knowledge necessary to do "fit work". If needed, Blue Ox® Dealers can be found at www.blueox.com or by contacting our Technical Service Department at (402) 385-3051.
2. Many Blue Ox® baseplates are designed to use existing holes and hardware to mount the baseplate to the towed vehicle. Even though bolts are there, do not assume they are adequate for baseplate mounting. Always use the hardware supplied in the hardware kit and existing hardware as specified in the installation instructions.

Bolt Torque Specifications

Torque in Foot-Pounds for Inch Bolts

Bolt Size	Grade 5	Grade 8
1/4"	10	14
5/16"	19	29
3/8"	33	47
7/16"	54	78
1/2"	78	119
5/8"	154	230
3/4"	257	380

Bolt Torque Specifications

Torque in Foot-Pounds for Metric Bolts

Bolt Size	Grade 8.8	Grade 10.9
6MM	6	8
8MM	16	22
10MM	31	40
12MM	54	70
14MM	89	117
16MM	161	230
18MM	222	318



WARNING

Failure to read and follow these instructions could result in separation of the towed vehicle from the tow bar, causing property damage, loss of towed vehicle, personal injury or death.

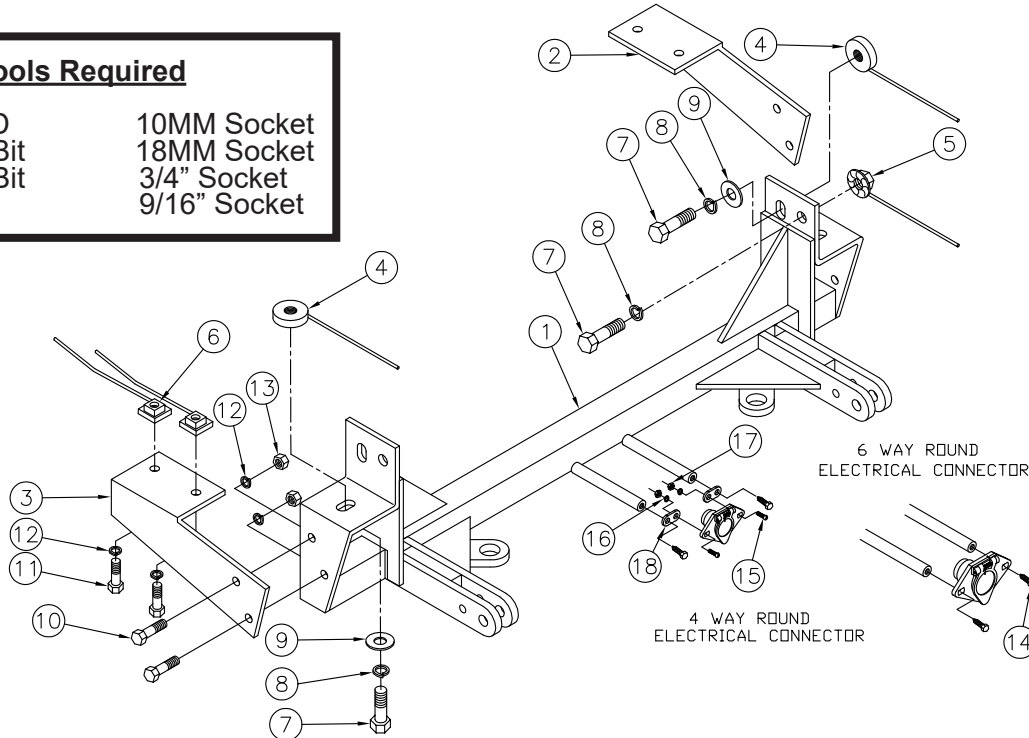
Reference your vehicle owner's manual for manufacturer's towing specifications.

BX2170

1998-2006 Ford Ranger Pickup (2WD, No Northland Edition)
 2000 Ford Ranger Pickup (4WD, No Northland Edition)
 2000-2005 Mazda B2300/B3000 (2WD/4WD)
 2000-2003 Mazda B2500/B4000 (2WD/4WD)
 1978-1980 Mazda GLC Sedan
Installation Instructions

Tools Required

Loctite® RED	10MM Socket
13/32" Drill Bit	18MM Socket
17/32" Drill Bit	3/4" Socket
Drill	9/16" Socket



Item No.	Part No.	Description	Qty.
1.....	61-5156.....	BX2170 Baseplate.....	1
2.....	101-6609.....	Support Plate, DS.....	1
3.....	101-6610.....	Support Plate, PS.....	1
4.....	61-5159.....	1/2" Nut Plate Weldment.....	4
5.....	61-4029.....	1/2" Nut Plate Weldment.....	2
6.....	61-5208.....	3/8" Nut Plate Weldment w/ Wire.....	4
7.....	201-0051.....	1/2"-13 x 1-1/2" Hex Head Bolt, Grade 5.....	6
8.....	203-0012.....	1/2" Lock Washer, ZP.....	6
9.....	203-0005.....	1/2" Flat Washer, ZP.....	4
10.....	201-0368.....	3/8"-16 x 1-1/4" Hex Head Bolt, Grade 5, ZP.....	4
11.....	201-0440.....	3/8"-16 x 1-1/2" Hex Head Bolt, Grade 5, ZP.....	4
12.....	201-0010.....	3/8" Lock Washer.....	2
13.....	202-0003.....	3/8"-16 Hex Nut, ZP.....	4
14.....	201-0979.....	#12-14 x 1" Self Drilling Screw, ZP.....	2
15.....	201-0192.....	#10-32 x 1/2" Slot Round Head Screw.....	2
16.....	203-0054.....	#10 Lock Washer, ZP.....	2
17.....	202-0047.....	#10 Hex Nut.....	2
18.....	1010-5822.....	4 Way Connector.....	2
19.....	226-0046(not shown).....	Class III Safety Cables.....	2

Important:

Use only genuine factory replacement parts on your baseplate. Do **NOT** substitute homemade or non-typical parts. If a bolt is lost or in need of replacement, for your safety and the preservation of your baseplate, be sure to use a replacement bolt of the same grade (In most cases it will be Grade 5, please reference the parts list above). Replacement parts may be ordered through your nearest Blue Ox® Dealer or Distributor. Failing to follow and/or altering these installation instructions in either installation or required equipment will void the manufacturer's warranty. Towing behind a non-motorized vehicle will void the warranty.

BX2170

1998-2006 Ford Ranger Pickup (2WD, No Northland Edition)

2000 Ford Ranger Pickup (4WD, No Northland Edition)

2000-2005 Mazda B2300/B3000 (2WD/4WD)

2000-2003 Mazda B2500/B4000 (2WD/4WD)

1978-1980 Mazda GLC Sedan

Installation Instructions

Standard Tab Spacing Guidelines:

To use certain adapters or a RangeFinder II tow bar in conjunction with standard tab baseplates an additional 5/16" hole must be drilled in the attachment tabs. The Ambassador tow bar will require an adapter for attachment tabs that are not 24" wide. The Adventurer tow bar will require an adapter for attachment tabs that are less than 24" wide. The Acclaim tow bar will not fold and store without the use of an adapter on vehicles with attachment tabs less than 24" wide. The BX88152 adapter cannot be used with this baseplate.

Instructions:

Installation of the baseplate requires removing and reinstalling the bumper and belly pan. Drilling is required. Trimming of the belly pan and fascia is required.

The dimensional variations between otherwise identical vehicles can be considerable. While the baseplate was designed for easy installation, it may be necessary to tailor the baseplate slightly to compensate for auto manufacturer's tolerances. These minor adjustments may include filing a hole slightly, bending electrical rods, and/ or bending end plates.

The BX8869 Bulb and Socket wiring kit is recommended for this vehicle.

Installation Instructions

1. The baseplate mounts to the frame using six bolts which are included with the baseplate. The lower plastic air dam needs to be trimmed for the attachment tabs to protrude.
2. There are four hex nuts that hold the bumper on the end of the frame rails. Remove the bolts with the 18MM socket and set the bumper aside to be reinstalled later.
3. The baseplate fits on the inside and bottom of the frame rails near the front of the frame. There are slots in the frame that will match up to the slots in the end of pieces of the baseplate. Hold the baseplate up in position and then mark the location of the two round holes in the side of the end pieces. Remove the baseplate and drill 17/32" holes in these locations.
4. Position the baseplate on the frame again and start the bolts. The four nut plates supplied are to be used on the bolts going into the slotted holes and the nut wires for the two drilled holes. Use the flat washers to cover the slots. When all bolts are started, tighten completely. Be sure to apply LOCTITE Red to all bolts before tightening. Tighten all bolts according to the Torque Chart in the General Instructions sheet.

BX2170

1998-2006 Ford Ranger Pickup (2WD, No Northland Edition)

2000 Ford Ranger Pickup (4WD, No Northland Edition)

2000-2005 Mazda B2300/B3000 (2WD/4WD)

2000-2003 Mazda B2500/B4000 (2WD/4WD)

1978-1980 Mazda GLC Sedan

Installation Instructions

5. Align the holes of the plate support to the outside of the baseplate end, insert the 3/8" hex bolt, fasten the lock washer and hex nut, according to the drawing on page 2. Do this to both sides of the vehicle. Using the plate support as a template, drill holes into the bottom of the frame with the 13/32" drill bit. Do this to both sides of the vehicle. Tighten all bolts according to the torque chart found on page 3 of the Baseplate General Towing Instructions sheet.
6. Hold the bumper up to its original position, mark where the attachment tabs will protrude out, trim the plastic on the front bumper and reinstall the bumper.

Install the tow bar and safety cables according to the instructions included in their packages.

Do not substitute other devices if the tow bar pin and clip are lost.

DEALER OR INSTALLER: BE CERTAIN THE USER RECEIVES THE INSTRUCTION SHEETS.

CUSTOMER SERVICE COMMITMENT

Blue Ox® is committed to providing you with exceptional customer care throughout your lifetime with our products. Our team is here to assist you with any questions you may have regarding the performance of your product. Simply call (402) 385-3051 and you can speak with our technical service team.

Additionally, please visit our website to see which rallies our Destination America team will be attending. For a nominal fee, our service technician will service your towing system to ensure it's in proper working condition. Also, as a commitment to our customers, should you visit our factory, you can stay at our full service Blue Ox® campground at no charge along with enjoying a factory tour.

Again, thank you for being our customer and for the confidence you have shown in the performance of our products. It is because of customers like you we enjoy the success we have today.

© 2016 Blue Ox
One Mill Road, Industrial Park
Pender, Nebraska 68047
Phone: (402) 385-3051
Fax: (402) 385-3360
www.blueox.com

General Information

1. Ensure that your product(s) are registered online at www.blueox.com. It is crucial to register your product(s) so that you may be alerted of product offerings, updates, upgrades, maintenance and safety bulletins, and/or recalls.
2. **It is the owner's responsibility to inspect all towing equipment for cracked welds, missing or worn parts and loose bolts before each towing trip.** Be sure to use Loctite® Red on all bolts and tighten to the recommended specifications.
3. **It is the owner's responsibility to hook up all towing equipment per manufacturer's instructions/recommendations.**
4. Remove the attachment tabs when not in use (if applicable).

Notice To Baseplate Installer

1. It is YOUR responsibility to watch for:

- Oil cooler and air conditioner lines
- Electrical wires and hoses
- Missing parts or attaching points on the frame

** If the baseplate is improperly installed and is against a wire or hose, it could cause fluid leaks or electrical shorts some time after the actual baseplate installation.

Permanent Baseplate Safety Cable Installation

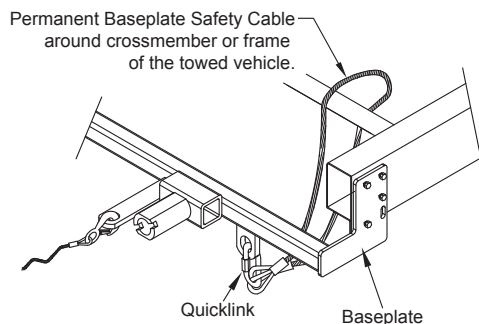
Permanent baseplate safety cables are strongly recommended when towing a vehicle with a tow bar. The principle function of the permanent baseplate safety cables is to prevent the towed vehicle from breaking loose in the event the connection between the frame of the towed vehicle and the baseplate fails or becomes disconnected. The cables must be connected from the baseplate to the frame rail or cross member of the vehicle's frame. The illustrations below show the possible arrangements recommended by Blue Ox®. Each permanent baseplate safety cable must have an adequate weight rating for the towing system. The weight rating of the two (2) cables together will not qualify.

Do not mount the permanent baseplate safety cables against wires, hoses or brake lines.

These permanent baseplate safety cables should remain installed as long as the baseplate is installed on the vehicle. Permanent baseplate safety cables are to be used in conjunction with, and NOT a replacement for legally required safety cables attaching the towed vehicle to the towing vehicle.

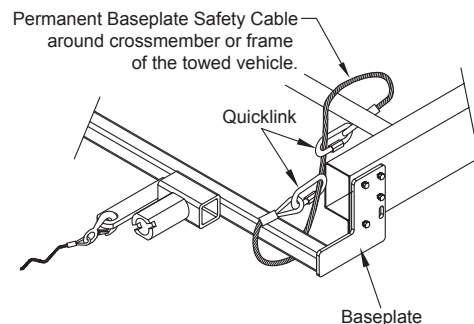
Option #1

(Baseplates with Convenience Link Tabs)



Option #2

(Baseplates with out Convenience Link Tabs)



BLUE OX ORIGINAL PURCHASERS THREE YEAR LIMITED WARRANTY

Automatic Equipment Manufacturing Company ("Automatic") warrants to the original (first) retail purchaser that this product, manufactured by Automatic, shall be free from defect in material and workmanship under normal use and service for a period of three years from the date of delivery.

During said three-year period, Automatic will repair or replace any parts that have been returned by the original purchaser, to the factory, transportation prepaid, and in Automatic's sole and absolute opinion found to be defective.

Limitations on Warranty Coverage:

Coverage under this warranty will be valid only if the customer warranty card is returned by the original purchaser within 30 days of purchase.

Coverage under this warranty will be effective only when a copy of the original invoice, showing date and place of purchase, accompanies any claim for warranty. This warranty is NON TRANSFERABLE.

This limited warranty will not cover, in any way or form, any alleged damages caused by incorrect or improper installation, improper use, modification or neglect of product, failure to properly service and maintain, misuse, act of God, accident or failure of the user to follow guidelines contained in the instructional material provided by Automatic.

This warranty does not cover normal wear and tear, paint or rust.

Warrantor assumes no responsibility to the owner for loss of use of product, loss of time, inconvenience or any other damage consequential or otherwise. Including, but not limited to mileage, expense of transporting of product, return shipping expense, mechanics travel time, telephone, road service, towing, and rental during repairs, travel, lodging, loss or damage to personal property or loss of earnings.

REPAIR OR REPLACEMENT AS SET FORTH IN THIS LIMITED WARRANTY IS THE SOLE EXCLUSIVE REMEDY OF THE PURCHASER. AUTOMATIC SHALL NOT BE LIABLE FOR ANY INCIDENTAL OR CONSEQUENTIAL DAMAGES FOR BREACH OF ANY EXPRESS OR IMPLIED WARRANTY ON THIS PRODUCT. EXCEPT TO THE EXTENT PROHIBITED BY APPLICABLE LAW, ANY IMPLIED WARRANTY OF MERCHANTABILITY OR FITNESS FOR A PARTICULAR PURPOSE ON THIS PRODUCT IS LIMITED IN LENGTH TO THE DURATION OF THIS WARRANTY.

Please visit <http://blueox.com/warranty/> to register your warranty



BLUE OX