



BX88224

Immobilizer II

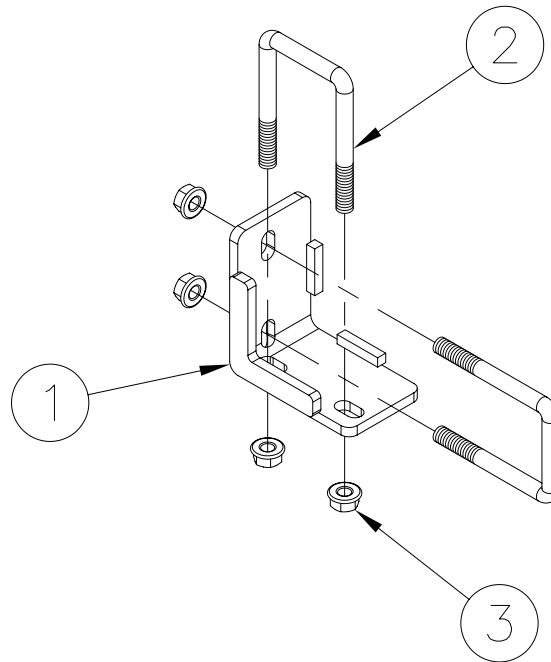
Installation Instructions

BX88224

The BX8824 Immobilizer™ II is designed to be used with 2" receiver hitches. The Immobilizer II eliminates or greatly reduces rattling and movement in the receiver hitch.

Tools Required

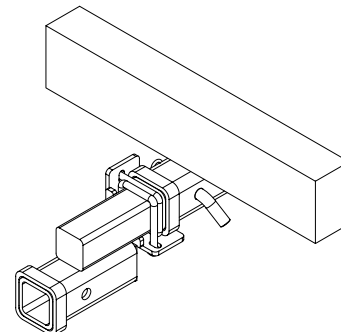
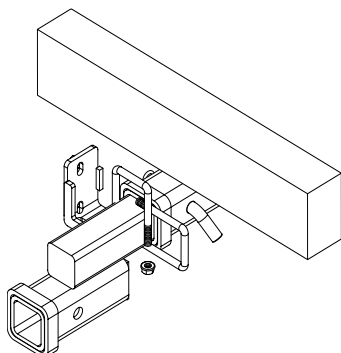
9/16" Socket
or
9/16" Wrench



Item No.	Part No.	Description	Qty.
1.....	61-6305.....	Immobilizer	1
2.....	201-0697.....	3/8"-16 x 3-1/4" x 2" Sq U-Bolt, Grade 5	2
3.....	202-0071.....	3/8"-16 Hex Whiz Lock Nut, ZP	4

Installation Instructions

1. Insure the drop receiver or tow bar is pinned into receiver.
2. Remove the whiz nuts from the U-bolts to remove the U-bolts from the Immobilizer II. Position the 1/4" key stock pieces flush with the back side of the receiver hitch lip.
3. Insuring the U-bolts are perpendicular to the receiver, tighten the whiz nuts firmly.



BX88224
Immobilizer II
Installation Instructions



CUSTOMER SERVICE COMMITMENT

Blue Ox® is committed to providing you with exceptional customer care throughout your lifetime with our products. Our team is here to assist you with any questions you may have regarding the performance of your product. Simply call (402) 385-3051 and you can speak with our customer care team.

Additionally, please visit our website to see which rallies our Destination America team will be attending. For a nominal fee, our service technician will service your towing system to ensure it's in proper working condition. Also, as a commitment to our customers, should you visit our factory, you can stay at our full service Blue Ox® campground at no charge along with enjoying a factory tour.

Again, thank you for being our customer and for the confidence you have shown in the performance of our products. It is because of customers like you we enjoy the success we have today.