



## BX1307

2011-13 Mini Cooper Hardtop (Includes S)  
2012-15 Mini Cooper Coupe (Includes S)  
2009-15 Mini Cooper Convertible (Includes S)  
2012-15 Mini Cooper Roadster (Includes S)  
2008-14 Mini Cooper Clubman (Includes S)  
Installation Instructions

Please read **BOTH** these Installation Instructions and the General Information sheet prior to installing or operating this equipment.



2010 Convertible S Model



2011 Hardtop Model



2014 Coupe S Model

If the front of your vehicle looks different than this, please contact us at (402)385-3051.

Serial Number

Attachment Tab Height: 13-1/2"

Attachment Tab Width: 20"

1. Blue Ox® towing products and accessories are intended to be installed by Blue Ox® Dealers who are familiar with our products and have the equipment and knowledge necessary to do "fit work". If needed, Blue Ox® Dealers can be found at [www.blueox.com](http://www.blueox.com) or by contacting our Technical Service Department at (402) 385-3051.
2. Many Blue Ox® baseplates are designed to use existing holes and hardware to mount the baseplate to the towed vehicle. Even though bolts are there, do not assume they are adequate for baseplate mounting. Always use the hardware supplied in the hardware kit and existing hardware as specified in the installation instructions.



## WARNING

Failure to read and follow these instructions could result in separation of the towed vehicle from the tow bar, causing property damage, loss of towed vehicle, personal injury or death.

Reference your vehicle owner's manual for manufacturer's towing specifications.

# BX1307

## Installation Instructions

**Instruction Notes:** The grille and fascia are removed and reinstalled for the baseplate installation. Some drilling and trimming is required.

Place all components that are removed on a flat, sturdy surface. All items will be reinstalled unless otherwise noted after the baseplate is installed.

The dimensional variations between otherwise identical vehicles can be considerable. While the baseplate was designed for easy installation, it may be necessary to tailor the baseplate slightly to compensate for vehicle manufacturer's tolerances.

The BX8848 4-Diode Wiring Kit is recommended for the 2010 Mini Cooper Clubman.

The BX8869 Tail Light Wiring Kit is recommended for all other vehicles.



2012 BMW MINI COOPER/ROADSTER



ALL OTHER MODELS

Drill a hole according to the tail light wiring kit instructions.

Bolt Torque Specifications		
Torque in Foot-Pounds for Metric Bolts		
Bolt Size	Grade 8.8	Grade 10.9
6MM	6	8
8MM	16	22
10MM	31	40
12MM	54	70
14MM	89	117
16MM	161	230
18MM	222	318

Bolt Torque Specifications		
Torque in Foot-Pounds for Inch Bolts		
Bolt Size	Grade 5	Grade 8
1/4"	10	14
5/16"	19	29
3/8"	33	47
7/16"	54	78
1/2"	78	119
5/8"	154	230
3/4"	257	380

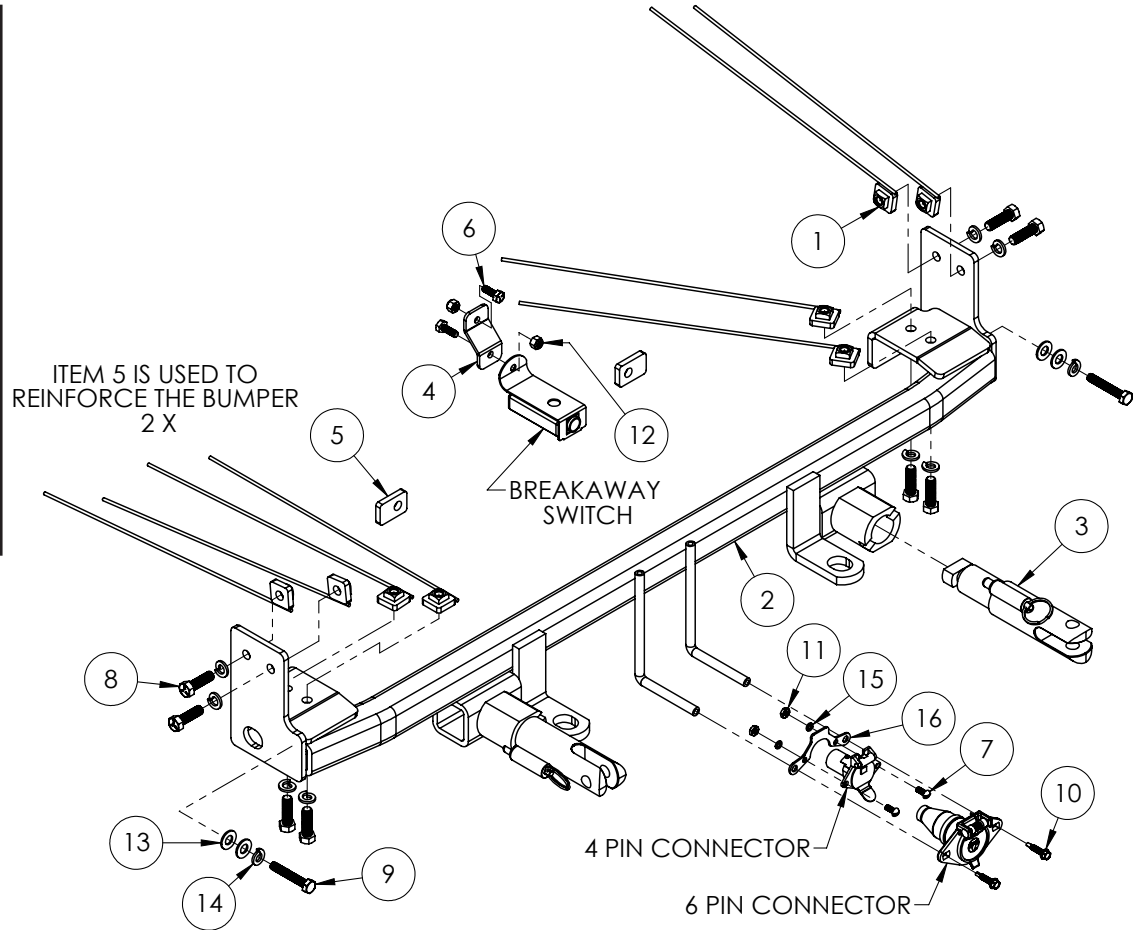
### NOTICE

- Handling of some cosmetic parts when installing this product may require the use of protective covers, rags, specialty tools, etc. to prevent damage.
- When using power drills be aware of the dangers of torque and drill bit length.
- When using a reciprocating saw be aware of objects behind the cutting surface.
- Use a good quality paint to spray cut edges of frame to prevent rusting.
- Be sure that **ALL** electrical connections are plugged in and accessories are functioning properly before reinstalling the fascia.
- The baseplate is computer tested to your vehicle's GVWR, exceeding this weight will void the manufacturer's warranty.
- Be sure to use a sufficient amount of Loctite® Red on all bolt threads before tightening. Tighten all bolts according to the torque chart provided.
- Dealer or installer be certain the user receives these instruction sheets.
- If the baseplate is in an accident, it must be replaced. **DO NOT** use it again! An accident can cause unseen damage and using it again could result in more damage or serious injury. **DO NOT** use the baseplate if it is damaged or missing parts.

# BX1307 Installation Instructions

## Tools Required

Reciprocating Saw  
 Flat Screwdriver  
 Utility Knife  
 Phillips Screwdriver  
 Torque Wrench  
 Drill  
 Tape Measure  
 Loctite® RED  
 13/32" Drill Bit  
 1-1/4" Hole Saw  
 Diagonal Cutters  
 T25 Torx  
 13MM Socket  
 14 MM Socket  
 9/16" Socket  
 9/16" Wrench



Item No.	Part No.	Description	Qty.
1.....	61-5208.....	3/8" Nut Plate w/ Wire .....	8
2.....	61-6722.....	BX1307 Baseplate.....	1
3.....	62-3468.....	Attachment Tab Assembly with Hole .....	2
4.....	101-7599.....	BX1307 Breakaway Bracket.....	1
5.....	102-6816.....	BX1304 Backing Plate.....	2
6.....	201-0050.....	1/4"-20 x 3/4" Hex Head Bolt, Grade 5, ZP .....	2
7.....	201-0192.....	#10-32 x 1/2" Round Slotted Head Screw .....	2
8.....	201-0368.....	3/8"-16 x 1-1/4" Hex Head Bolt, Grade 5, ZP .....	8
9.....	201-0419.....	8MM-1.25 x 50MM Hex Head Bolt, Grade 8.8, ZP.....	2
10.....	201-0979.....	#12-14 x 1" Self Drilling Screw, ZP.....	2
11.....	202-0047.....	#10-32 Hex Nut .....	2
12.....	202-0102.....	1/4"-20 Hex Nylon Nut, ZP .....	2
13.....	203-0003.....	3/8" Flat Washer, ZP.....	4
14.....	203-0010.....	3/8" Lock Washer, ZP .....	10
15.....	203-0054.....	#10 Lock Washer.....	2
16.....	299-0685.....	Electrical Bracket, Zp .....	1
17.....	226-0046(not shown).....	Class III Safety Cables .....	2
18.....	229-0359(not shown).....	3/8" Quicklink, ZP .....	2
19.....	290-0437(not shown).....	Black Cap Plug Receiver.....	2

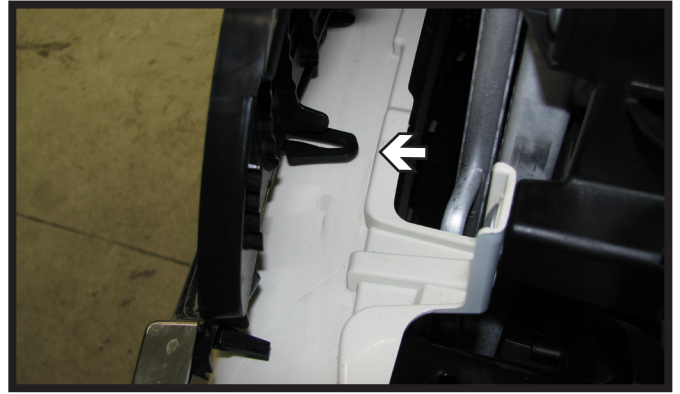
## Important:

Use only genuine factory replacement parts on your baseplate. Do **NOT** substitute homemade or non-typical parts. If a bolt is lost or in need of replacement, for your safety and the preservation of your baseplate, be sure to use a replacement bolt of the same grade (In most cases it will be Grade 5, please reference the parts list above). Replacement parts may be ordered through your nearest Blue Ox® Dealer or Distributor. Failing to follow and/or altering these installation instructions in either installation or required equipment will void the manufacturer's warranty. Towing behind a non-motorized vehicle will void the warranty.

## BX1307 Installation Instructions



1. Remove the four (4) push pins along the top edge of the grille. There are two (2) on each side.



2. Gently pull the top of the grille away from the vehicle and release the tabs below by pushing down on the grille and starting from one side working across, squeeze each of the four (4) tabs together. Set the grille aside.



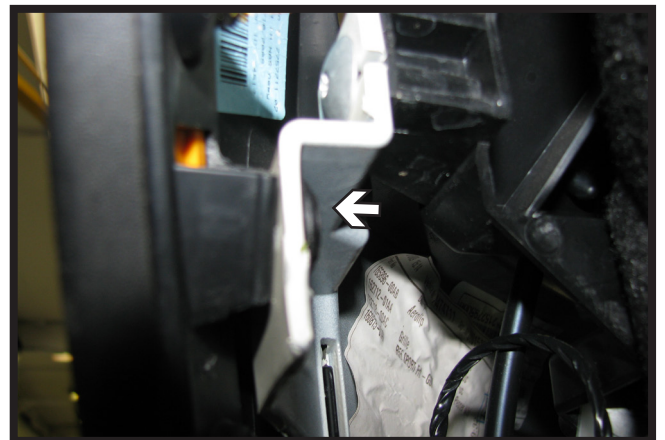
3. Using a T25 Torx, remove the two (2) screws that were behind the grille.  
Note: If the vehicle has headlight washers the fluid lines need to be disconnected from the fascia (gray),



4. Remove the two (2) push pins in the wheel well. Do this to both sides of the vehicle.



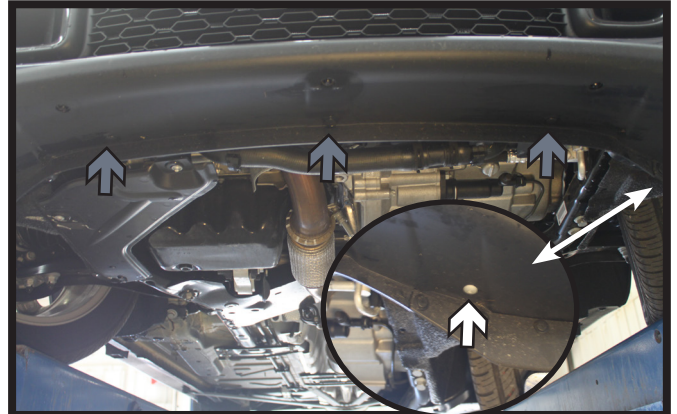
5. Behind the wheel well cover, remove the lower push pin (left) and upper push pin (right).



# BX1307 Installation Instructions

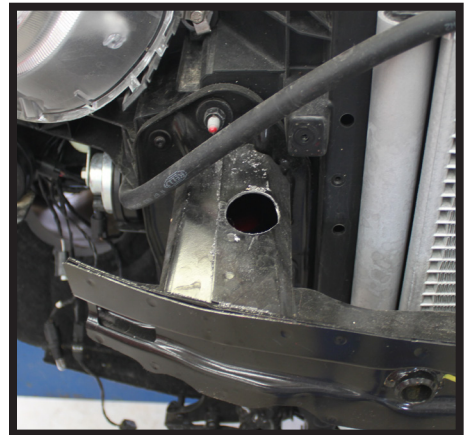
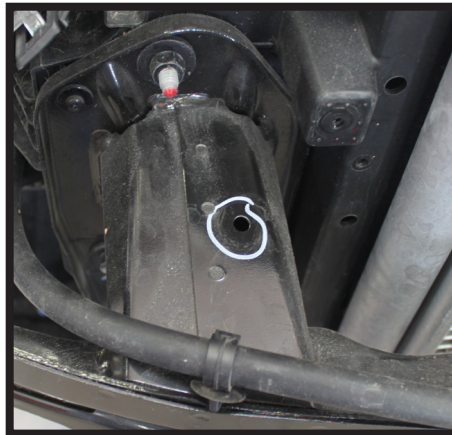
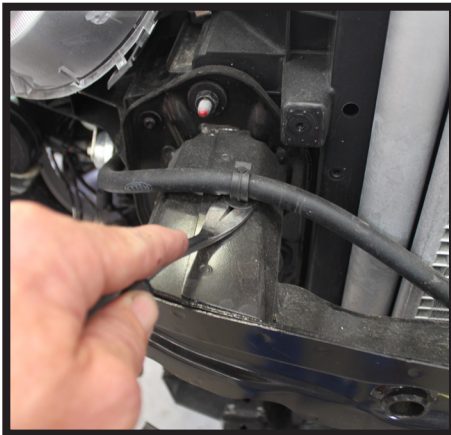


6. Push the fender flare forward and pull it out away from the vehicle. Behind the flare, using a T25 Torx, remove the screw. Do this on both sides of the vehicle.



7. On the underside the fascia, using a T25 Torx, remove the screw from each corner (inset). Remove the three (3) push pins along the center of fascia (gray). Pull the fascia forward, disconnecting any electrical connections and set the fascia & intake scoops aside.

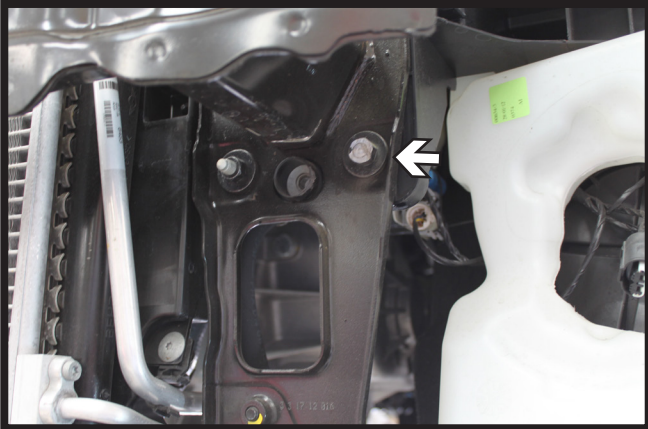
On the newer models there are also three (3) phillips head screws located under cap plugs along the front edge of fascia that need to be removed prior to fascia removal.



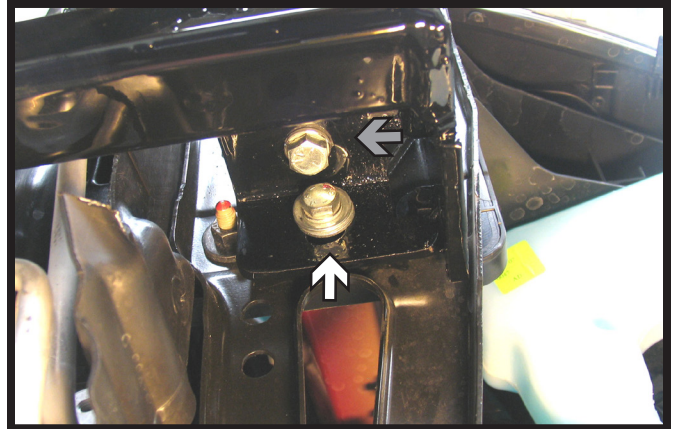
8. Using the existing hole on top of the bumper as a guide (middle), drill a hole thru the bumper using a 1-1/4" hole saw (right) to allow nut plate access. Do this on both sides of the vehicle.

Note: If the vehicle has headlight washers the fluid lines need to be disconnected from the bumper on both sides (left),

# BX1307 Installation Instructions



9. Under the reinforcement bumper, use the reciprocating saw to cut the outer bolt off so it is flush with the nut. Do this on both sides.



10. Hold the baseplate in place and start a 8MM-1.25 x 50MM bolt with a lock and two (2) flat washers into existing hole (white). Do this to both sides. Fully tighten the hardware.

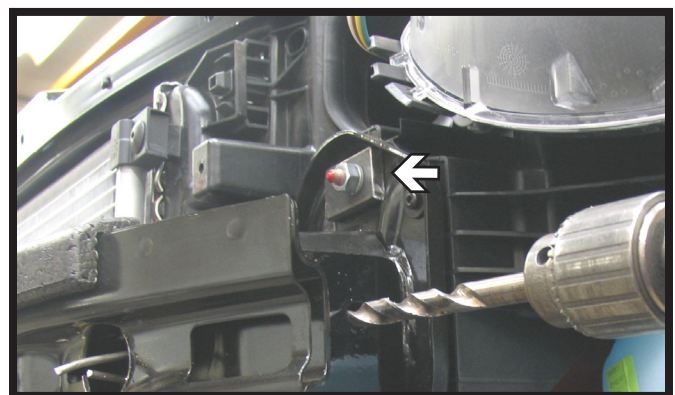
Using a 13/32" drill bit, drill the holes above thru the bumper (gray). Install two (2) 3/8"-16 x 1-1/4" bolts with a 3/8" lock washer into the hole and a 3/8" nut plate on the inside of the bumper. Do this on both sides. Fully tighten all hardware.

**\*\* Use Loctite® Red on all bolt threads and tighten all bolts to the appropriate torque.**



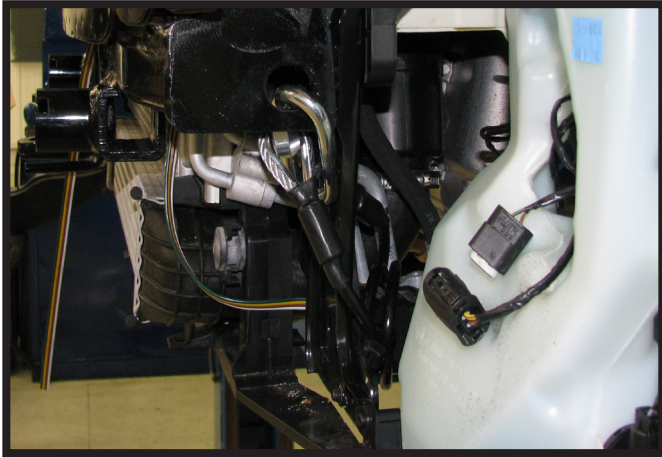
11. Using a 13/32" drill bit, drill the side holes thru the bumper. Install 3/8"-16 x 1-1/4" bolts with 3/8" lock washers into the holes and a 3/8" nut plates on the inside of the bumper. Do this on both sides. Fully tighten all hardware.

**\*\* Use Loctite® Red on all bolt threads and tighten all bolts to the appropriate torque.**

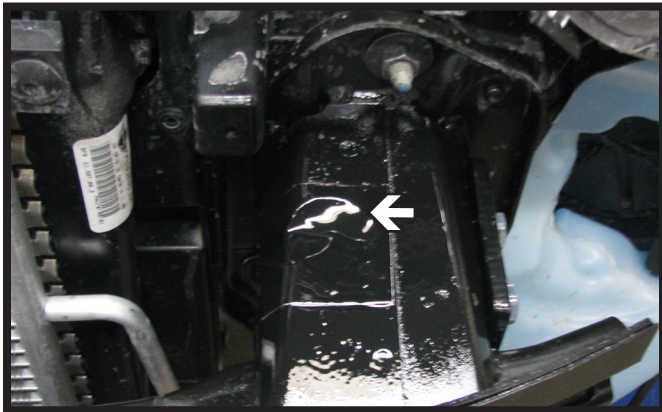


12. Using a 13MM socket, remove the existing nut from bumper extension. Install the backing plate onto the stud and reinstall the nut. Do this on both sides of the vehicle.

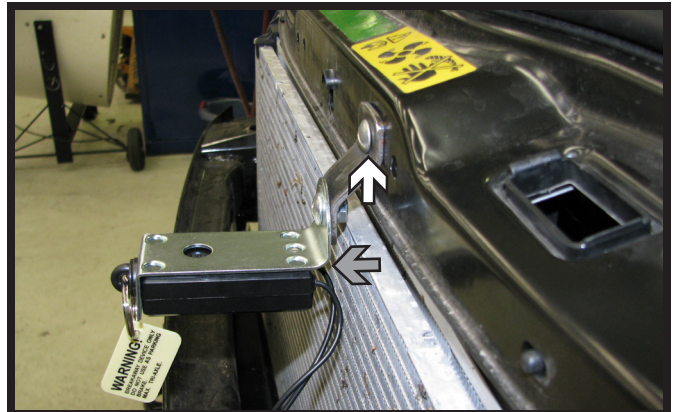
## BX1307 Installation Instructions



13. Attach the permanent baseplate safety cables to the provided convenience link on the baseplate. The photo above shows the recommended installation of the cables to frame of vehicle. Additional options may interfere with suggested mounting; in this case, secure the cables to a solid piece of the frame as described in the instructions included with the permanent baseplate safety cables. Be sure the safety cables do not rub against any hoses or moving parts. Do this on **BOTH** sides of the vehicle.



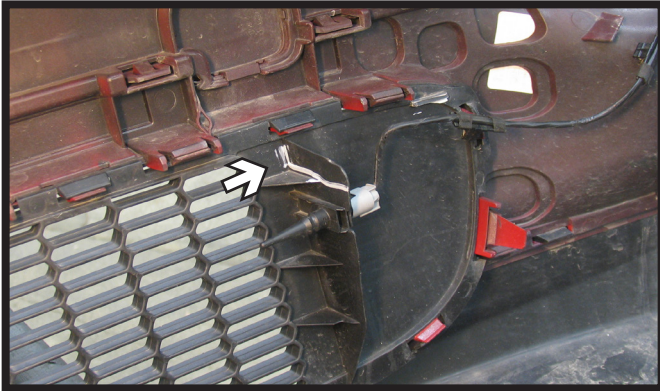
14. **Optional:** Cover the 1-1/4" hole used to install the nut plates with tape and paint black. Do this on both sides.



15. **Optional:** Install the breakaway bracket onto the front of the frame above the radiator with the 1/4" hardware. Bend the switch 90° up (gray). Then attach the switch to the bracket using the 1/4" hardware.

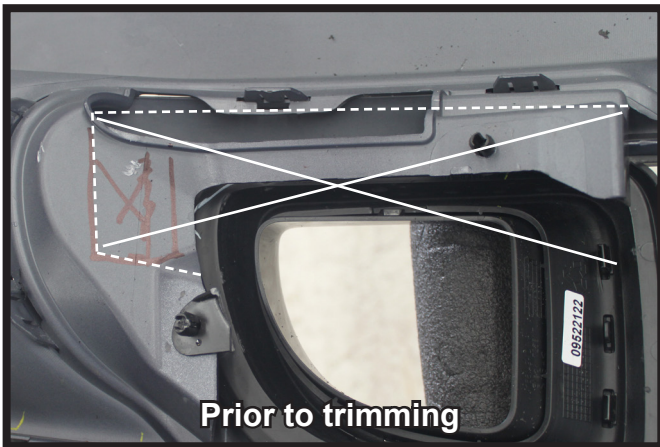
BX1307  
Installation Instructions

**Fascia Trimming on Models Prior to 2011**

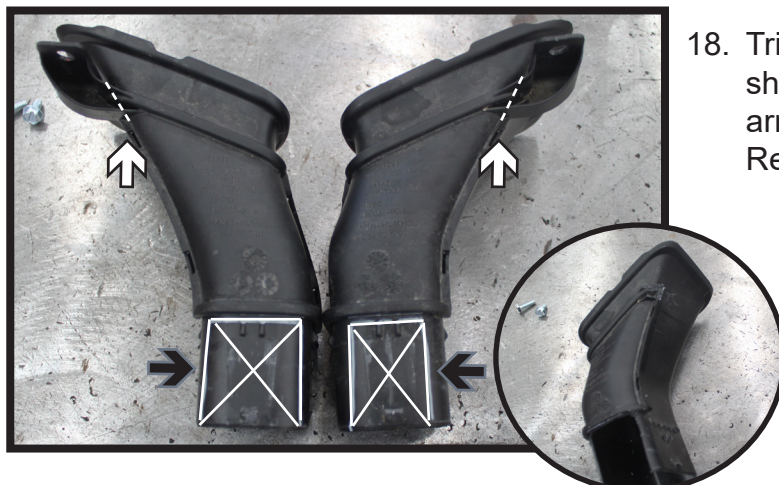


16. On the back side of the fascia, trim off the gusset area as shown on both sides of the fascia (left-white). On the passenger side, disconnect the wire loom and trim off the tab (left-gray). Make a notch and relocate the sensor down lower to clear the baseplate (right-white).

**Fascia Trimming on Models 2011-present**



17. Trim the area above the intake scoops as shown. Do this on both sides of the fascia.



18. Trim the inner areas on the intake scoops as shown (black). Then trim off the attachment arms for baseplate clearance (white). Reinstall the scoops onto the vehicle.



## BX1307 Installation Instructions



14. Hold the fascia as close to its original position, mark and trim the fascia around the convenience links and attachment tabs. Reinstall the fascia.

**Note:** Depending on the model, trimming of the additional chrome piece across the grille opening may be required (right).

### CUSTOMER SERVICE COMMITMENT

Blue Ox® is committed to providing you with exceptional customer care throughout your lifetime with our products. Our team is here to assist you with any questions you may have regarding the performance of your product. Simply call (402) 385-3051 and you can speak with our technical service team.

Additionally, please visit our website to see which rallies our Destination America team will be attending. For a nominal fee, our service technician will service your towing system to ensure it's in proper working condition. Also, as a commitment to our customers, should you visit our factory, you can stay at our full service Blue Ox® campground at no charge along with enjoying a factory tour.

Again, thank you for being our customer and for the confidence you have shown in the performance of our products. It is because of customers like you we enjoy the success we have today.

© 2015 Blue Ox  
One Mill Road, Industrial Park  
Pender, Nebraska 68047  
Phone: (402) 385-3051  
Fax: (402) 385-3360  
[www.blueox.com](http://www.blueox.com)

# General Information

1. Ensure that your product(s) are registered online at [www.blueox.com](http://www.blueox.com). It is crucial to register your product(s) so that you may be alerted of product offerings, updates, upgrades, maintenance and safety bulletins, and/or recalls.
2. **It is the owner's responsibility to inspect all towing equipment for cracked welds, missing or worn parts and loose bolts before each towing trip.** Be sure to use Loctite® Red on all bolts and tighten to the recommended specifications.
3. **It is the owner's responsibility to hook up all towing equipment per manufacturer's instructions/recommendations.**
4. Remove the attachment tabs when not in use (if applicable).

## Notice To Baseplate Installer

### 1. It is YOUR responsibility to watch for:

- Oil cooler and air conditioner lines
- Electrical wires and hoses
- Missing parts or attaching points on the frame

\*\* If the baseplate is improperly installed and is against a wire or hose, it could cause fluid leaks or electrical shorts some time after the actual baseplate installation.

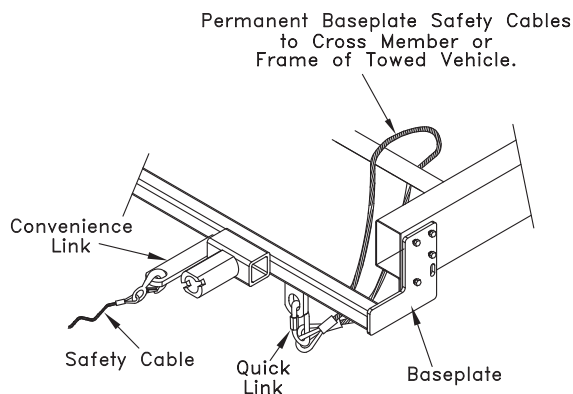
## Permanent Baseplate Safety Cable Installation

Permanent baseplate safety cables are strongly recommended when towing a vehicle with a tow bar. The principle function of the permanent baseplate safety cables is to prevent the towed vehicle from breaking loose in the event the connection between the frame of the towed vehicle and the baseplate fails or becomes disconnected. The cables must be connected from the baseplate to the frame rail or cross member of the vehicle's frame. The illustrations below show the possible arrangements recommended by Blue Ox®. Each permanent baseplate safety cable must have an adequate weight rating for the towing system. The weight rating of the two (2) cables together will not qualify.

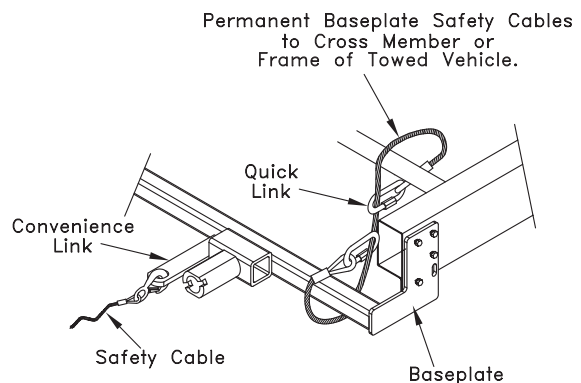
***Do not mount the permanent baseplate safety cables against wires, hoses or brake lines.***

These permanent baseplate safety cables should remain installed as long as the baseplate is installed on the vehicle. Permanent baseplate safety cables are to be used in conjunction with, and NOT a replacement for legally required safety cables attaching the towed vehicle to the towing vehicle.

### OPTION #1



### OPTION #2



# BLUE OX ORIGINAL PURCHASERS ONE YEAR LIMITED WARRANTY

Automatic Equipment Manufacturing Company ("Automatic") warrants to the original (first) retail purchaser that this product, manufactured by Automatic, shall be free from defect in material and workmanship under normal use and service for a period of one year from the date of delivery.

During said one-year period, Automatic will repair or replace any parts that have been returned by the original purchaser, to the factory, transportation prepaid, and in Automatic's sole and absolute opinion found to be defective.

Limitations on Warranty Coverage:

Coverage under this warranty will be valid only if the customer warranty card is returned by the original purchaser within 30 days of purchase.

Coverage under this warranty will be effective only when a copy of the original invoice, showing date and place of purchase, accompanies any claim for warranty. This warranty is NON TRANSFERABLE.

This limited warranty will not cover, in any way or form, any alleged damages caused by incorrect or improper installation, improper use, modification or neglect of product, failure to properly service and maintain, misuse, act of God, accident or failure of the user to follow guidelines contained in the instructional material provided by Automatic.

This warranty does not cover normal wear and tear, paint or rust.

Warrantor assumes no responsibility to the owner for loss of use of product, loss of time, inconvenience or any other damage consequential or otherwise. Including, but not limited to mileage, expense of transporting of product, return shipping expense, mechanics travel time, telephone, road service, towing, and rental during repairs, travel, lodging, loss or damage to personal property or loss of earnings.

**REPAIR OR REPLACEMENT AS SET FORTH IN THIS LIMITED WARRANTY IS THE SOLE EXCLUSIVE REMEDY OF THE PURCHASER. AUTOMATIC SHALL NOT BE LIABLE FOR ANY INCIDENTAL OR CONSEQUENTIAL DAMAGES FOR BREACH OF ANY EXPRESS OR IMPLIED WARRANTY ON THIS PRODUCT. EXCEPT TO THE EXTENT PROHIBITED BY APPLICABLE LAW, ANY IMPLIED WARRANTY OF MERCHANTABILITY OR FITNESS FOR A PARTICULAR PURPOSE ON THIS PRODUCT IS LIMITED IN LENGTH TO THE DURATION OF THIS WARRANTY.**

Please visit <http://blueox.com/warranty/> to register your warranty



**BLUE OX**