

BLUE OX[®]

Baseplates

BX1511 2005 Buick LeSabre Installation Instructions

Serial Number

Please read BOTH these Installation Instructions and the General Towing Instructions before attempting to install or operate this equipment.

1. Blue Ox[®] towing products and accessories are intended to be installed by Blue Ox[®] Dealers who are familiar with our products and have the equipment and knowledge to do "fit work". When necessary, Blue Ox[®] Dealers can be found at www.blueox.us or by contacting our 24/7 Customer Care Department at (888) 425-5382.
2. Many Blue Ox[®] Baseplates are designed to use existing holes and hardware to mount the baseplate to the towed vehicle. Even though bolts are there, do not assume they are adequate for baseplate mounting. Always use hardware supplied in the hardware kit or existing hardware specified in the Baseplate Installation Instructions.

Attachment Tab Height: 12 3/4"
Attachment Tab Width: 24 1/2"

Bolt Torque Specifications

Torque in Foot-Pounds per Metric Bolts

Bolt Size	Grade 8.8	Grade 10.9
6MM	6	8
8MM	16	22
10MM	31	40
12MM	54	70
14MM	89	117

Confirm the towability and pre-towing procedures for your vehicle with the owner's manual or contact the vehicle's manufacturer for specific towing procedures. You can also contact REMCO for additional information at 1(800)228-2481.

Bolt Torque Specifications

Torque in Foot-Pounds per Inch Bolts

Bolt Size	Grade 5	Grade 8
1/4"	10	14
5/16"	19	29
3/8"	33	47
7/16"	54	78
1/2"	78	119
5/8"	154	230



⚠ WARNING

Failure to read and follow these instructions could result in separation of the towed vehicle from the tow bar, causing property damage, loss of towed vehicle, personal injury or death.

BX1511

2005 Buick LeSabre

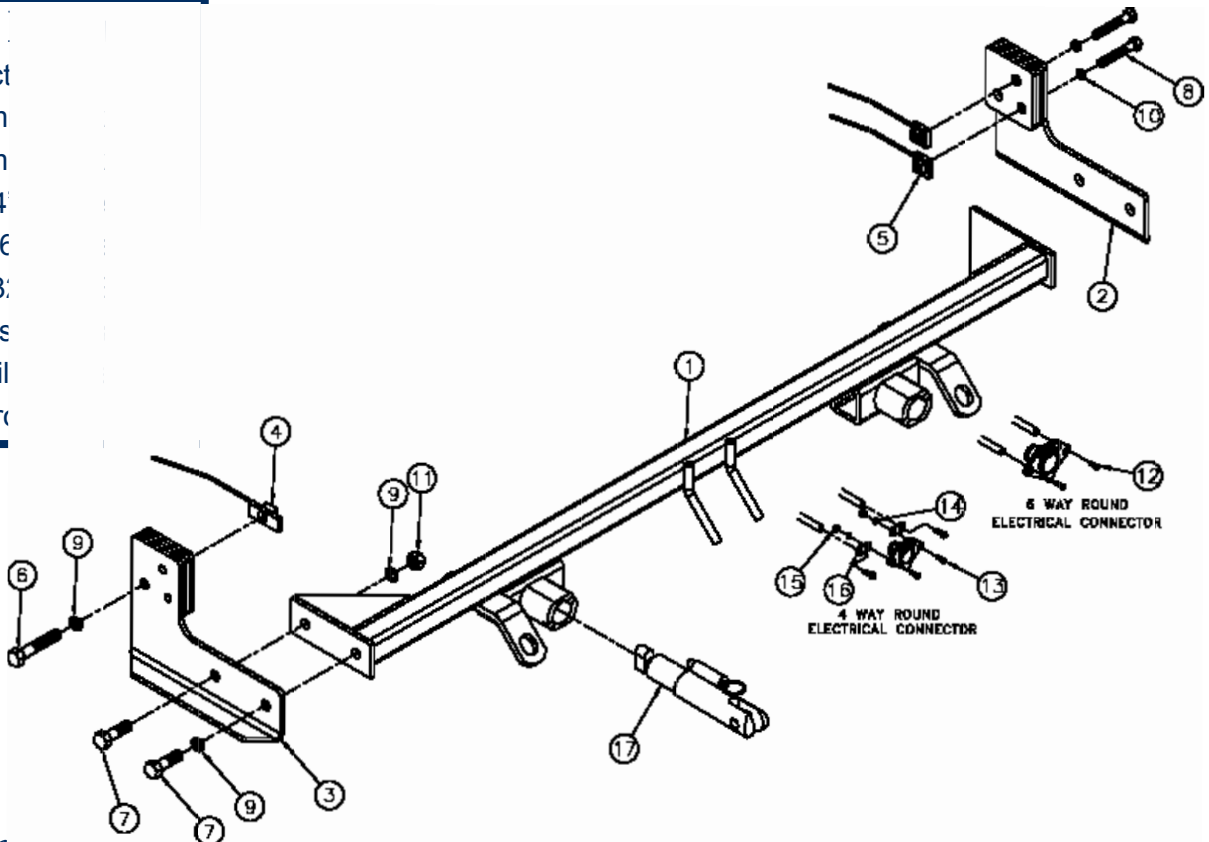
Installation Instructions

Parts List

Ref. No.	Qty.	Part #	Description
1	1	61-6278	Weldment, Cross Tube, BX1511
2	1	61-6279	Weldment, Plate End, DS, BX1511
3	1	61-6280	Weldment, Plate End, PS, BX1511
4	2	61-3799	1/2-13 Nut Plate, with 10" Wire
5	4	61-5208	3/8-16 Nut Plate, with 14" Wire
6	2	201-0153	1/2-13 x 2 1/2" Bolt, Grd. 5, ZP
7	4	201-0011	1/2-13 x 1 1/4" Bolt, Grd. 5, ZP
8	4	201-0336	3/8-16 x 1 1/2" Bolt, Grd. 5, ZP
9	6	203-0012	1/2" Lock Washer, ZP
10	6	203-0010	3/8" Lock Washer, ZP
11	2	202-0005	1/2-13 Hex Nut, ZP
12	2	201-0979	#12-14 x 1" Self Drilling Screw, ZP
13	2	201-0192	#10-32 x 1/2" Slot, Rd. Hd. Screw
14	2	203-0054	#10 Lock Washer
15	2	202-0047	#10-32 Hex Nut
16	2	101-5822	Adapter, 4 Way Connector
17	2	62-3468	Attachment, Assembly, SF/SB (R)
	2	201-0443	3/8-16 x 1" Hex Bolt (Not Shown)
	2	202-0071	3/8-16 Hex Flange Whiz Lock Nut (Not Shown)
	2	290-0437	Receiver Cap, Plug (Not Shown)

Tools

- Loct
- 10m
- 13m
- 3/4
- 9/16
- 13/32
- Vis
- Util
- Recipr



Important:

Use only genuine factory replacement parts on your baseplate. Do **NOT** substitute homemade or non-typical parts. If a bolt is lost or in need of replacement, for your safety and the preservation of your baseplate, be sure to use a replacement bolt of the same grade (In most cases it will be Grade 5, please reference the parts list above). Replacement parts may be ordered through your nearest Blue Ox® Dealer or Distributor.

BX1511
2005 Buick LeSabre
Installation Instructions

Attachment Tabs:

Due to the design of the removable tabs, the RangeFinderII and Ambassador tow bars can not be used. Adapters, except the BX8833 and BX88151, can not be used with this baseplate.

Installation Notes: The bellypan, fascia, metal bumper, cable clamp and bumper bracket nut are removed for installation. Trimming and drilling are required. A bumper bracket nut and bumper bracket bolt will not be reinstalled.

The dimensional variations between otherwise identical vehicles can be considerable. While the baseplate was designed for easy installation, it may be necessary to tailor the baseplate slightly to compensate for auto manufacturer's tolerances. These minor adjustments may include filing a hole slightly, bending electrical rods, and/ or bending end plates.

The BX8848 4-Diode Wiring Kit is recommended for this vehicle.

Installation Instructions:

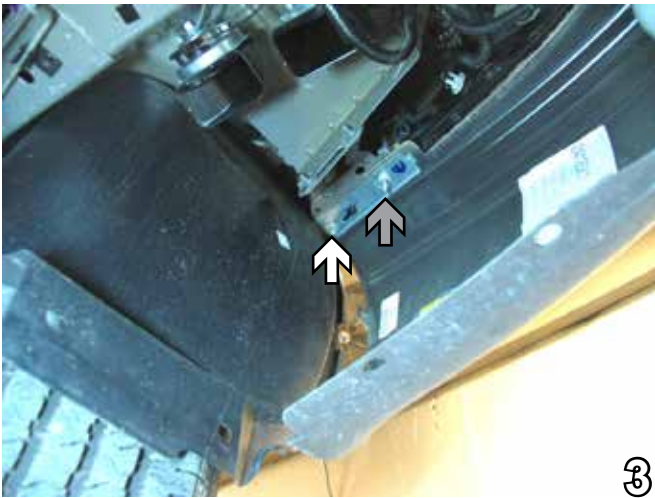


1. On the top of the fascia, above the grille, remove five pushpins. Set pushpins aside to be reinstalled later.

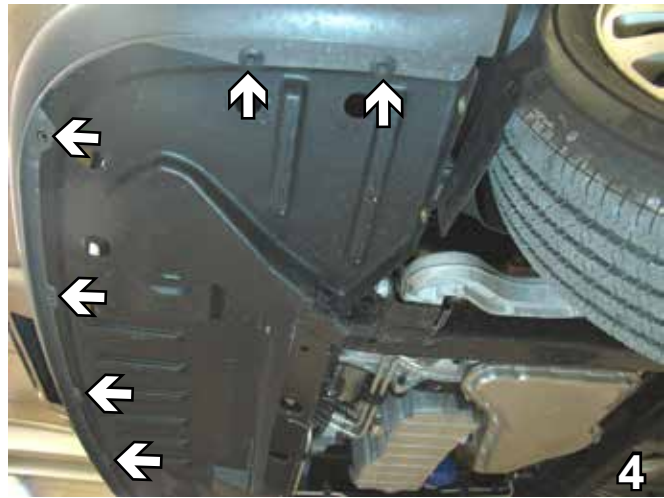


2. Remove five pushpins just forward of the front tire, on the edge of fascia. Do this to both sides of the vehicle. Set pushpins aside to be reinstalled later.

BX1511
2005 Buick LeSabre
Installation Instructions



3. Using the 10mm socket, remove one metric bolt (see white arrow) and loosen (do not remove) hex nut (see grey arrow) just forward of the front tire inside the fender well. Do this to both sides of the vehicle. Set bolts aside to be reinstalled later.



4. Along the bottom edge of fascia, remove nine pushpins (three on passenger's side not shown). Set pushpins aside to be reinstalled later.



5. Remove three pushpins near the back of the belly pan (see white arrows). Remove two pushpins near the center of belly pan (see grey arrows). Remove bellypan. Set pushpins and bellypan aside to be reinstalled later.



6. On the lower fascia opening, remove one Christmas tree pushpin. Do this to both sides of the vehicle. Pull fascia forward to remove. Set pushpins and fascia aside to be reinstalled later.

BX1511
2005 Buick LeSabre
Installation Instructions



7. On the metal bumper openings, use the 13mm socket to remove four metric bolts. Do this to both sides of the vehicle. Pull bumper forward to remove. Set bolts and bumper aside to be reinstalled later.



8. Disconnect the cable clamp by pulling it forward through the frame. Move the cable up and out of the way to clear the area for cutting. Do this to both sides of the vehicle.



9. Using the 16mm socket, remove the nut from upper section of the bumper bracket (see grey arrow). Pull the nut plate through the side of the bumper bracket and replace nut with the 3/8-16 x 1 hex bolt and 3/8-16 hex flange whiz lock nut. Using the 16mm socket, remove the metric bolt (see white arrow) from the lower section of bumper bracket. It will not be reinstalled. Do this to both sides of the vehicle.



10. Mark a rectangle on the lower portion of bumper bracket. Start horizontally below the upper portion of bumper bracket (see white arrow) and continue just past the lower bolt hole. Then, mark straight down until reaching bottom of frame rail. This vertical marking should be flush with frame rail edge (behind bumper bracket - shown in inset). Using the reciprocating saw, cut marked area through the bumper bracket and frame rail.

BX1511
2005 Buick LeSabre
Installation Instructions



11. With the fascia lying face down and on a soft, flat surface, mark and measure a rectangle on the styrofoam. The rectangle measures 1" x 1". It should be 2 7/8" from the side edge of the styrofoam. Pull the styrofoam from the fascia and lay on a flat surface. Using the utility knife, cut the rectangle 2" deep. Do this to both ends of the styrofoam.



12. Use the utility knife to cut away the molding next to the rectangle just cut so that it is flush with the styrofoam base. Do this to both ends. Place styrofoam back into fascia.

BE SURE TO USE LOCTITE® RED ON ALL BOLTS BEFORE TIGHTENING. TIGHTEN ALL BOLTS ACCORDING TO THE TORQUE CHART ON THE FRONT PAGE OF THESE INSTRUCTIONS OR ON PAGE 3 OF THE BASEPLATE TOWING GENERAL INSTRUCTIONS.



13. Reinstall metal bumper. Align endplate with existing frame rail hole (see white arrow). Endplate should be 1/4" below and parallel to bumper and also parallel with top of frame rail. Insert 1/2-13 nut plate through frame rail opening and align to existing frame rail hole. Insert 1/2-13 x 2 1/2" bolt and 1/2" lock washer and hand tighten to nut plate (don't use Loctite yet). Do this to both sides of the vehicle.



14. Insure crosstube is level. On the lower portion of endplate, forward most hole (see grey arrow), insert 1/2-13 x 1 1/4" bolt and 1/2" lock washer and hand tighten. In the hole next to it (see white arrow), insert 1/2-13 x 1 1/4" bolt, 1/2" lock washer and 1/2-13 hex nut and hand tighten. Do this to both sides of the vehicle.

BX1511
2005 Buick LeSabre
Installation Instructions



15. On the upper portion of baseplate, use the endplate as a template and drill into the frame using the 13/32" drill bit (see white arrows). Insert 3/8-16 nut plate through frame rail opening and align to drilled holes. Insert 3/8-16 x 1 1/2" bolt and 3/8" lock washer and tighten. Finish tightening all remaining bolts. Trim nut plate wires. Do this to both sides of the vehicle.

16. Reinstall bellypan, fascia, cable clamp, pushpins and bolts.

Install the tow bar and safety cables according to the instructions provided in their packages. When demonstrating this to the customer, be sure to include all the contents and packages.

Do **NOT** substitute other devices if the tow bar pins and clips are misplaced.

Be sure that **ALL** electrical connections are plugged in properly and functioning **BEFORE** installing the fascia.

BE SURE TO USE LOCTITE® RED ON ALL BOLTS BEFORE TIGHTENING. TIGHTEN ALL BOLTS ACCORDING TO THE TORQUE CHART ON THE FRONT PAGE OF THESE INSTRUCTIONS OR ON PAGE 3 OF THE BASEPLATE TOWING GENERAL INSTRUCTIONS.

DEALER or INSTALLER:
Be certain the user receives the instruction sheets for their products.



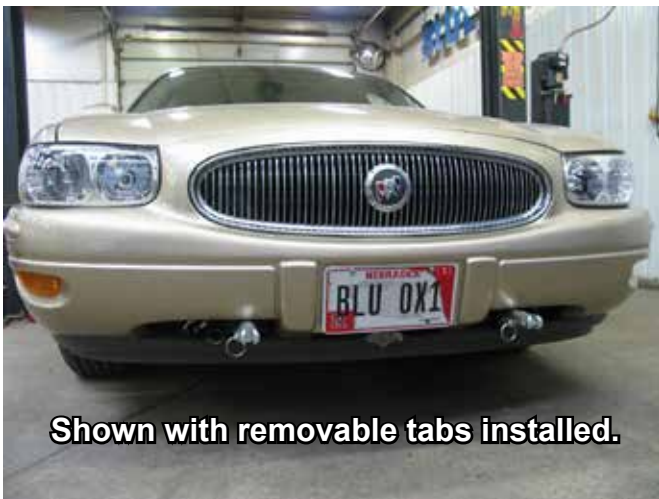
17. Attach the permanent baseplate safety cables to the provided convenience link on the baseplate (see grey arrow). The photo above shows the recommended installation of the permanent baseplate safety cables to frame of the vehicle (see white arrow). If the vehicle has additional options, not shown above, which interfere with mounting the permanent baseplate safety cables, secure the cable to a solid piece of the vehicle's frame as described in the instructions included with the permanent baseplate safety cables.

BX1511
2005 Buick LeSabre
Installation Instructions

Customer Service Commitment

Blue Ox® is focused on providing exemplary customer service, as observed in our mission statement and guiding principles. In accordance with this objective, Blue Ox® is proud to provide services such as repairs and general maintenance of Blue Ox® products at over 150 RV Rallies. Look for our Destination America or Blue Ox® Racing service crews at the next rally or race that you attend. If you were not present, you will find an informative, personalized note explaining any services that may have been performed to your Blue Ox® products.

Blue Ox® also offers educational seminars at rallies and through our Park and Resort teams. In addition, Blue Ox® customers visiting our factory may take advantage of the well-equipped Blue Ox® RV park at no charge to you, our valued and appreciated customer.



© 2006 Blue Ox
One Mill Road, Industrial Park
Pender, Nebraska 68047
Phone: (402) 385-3051 • Fax: (402) 385-3360
www.blueox.us
292-2848

General Information

1. Ensure that your product(s) are registered online at www.blueox.com. It is crucial to register your product(s) so that you may be alerted of product offerings, updates, upgrades, maintenance and safety bulletins, and/or recalls.
2. **It is the owner's responsibility to inspect all towing equipment for cracked welds, missing or worn parts and loose bolts before each towing trip.** Be sure to use Loctite® Red on all bolts and tighten to the recommended specifications.
3. **It is the owner's responsibility to hook up all towing equipment per manufacturer's instructions/recommendations.**
4. Remove the attachment tabs when not in use (if applicable).

Notice To Baseplate Installer

1. **It is YOUR responsibility to watch for:**

- Oil cooler and air conditioner lines
- Electrical wires and hoses
- Missing parts or attaching points on the frame

** If the baseplate is improperly installed and is against a wire or hose, it could cause fluid leaks or electrical shorts some time after the actual baseplate installation.

Permanent Baseplate Safety Cable Installation

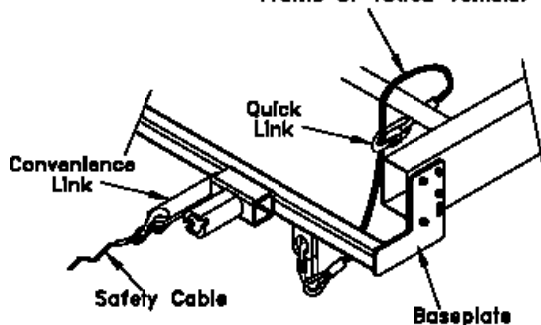
Permanent baseplate safety cables are strongly recommended when towing a vehicle with a tow bar. The principle function of the permanent baseplate safety cables is to prevent the towed vehicle from breaking loose in the event the connection between the frame of the towed vehicle and the baseplate fails or becomes disconnected. The cables must be connected from the baseplate to the frame rail or cross member of the vehicle's frame. The illustrations below show the possible arrangements recommended by Blue Ox®. Each permanent baseplate safety cable must have an adequate weight rating for the towing system. The weight rating of the two (2) cables together will not qualify.

Do not mount the permanent baseplate safety cables against wires, hoses or brake lines.

These permanent baseplate safety cables should remain installed as long as the baseplate is installed on the vehicle. Permanent baseplate safety cables are to be used in conjunction with, and NOT a replacement for legally required safety cables attaching the towed vehicle to the towing vehicle.

OPTION #1

Permanent Baseplate Safety Cables to Cross Member or Frame of Towed Vehicle.



OPTION #2

Permanent Baseplate Safety Cables to Cross Member or Frame of Towed Vehicle.

