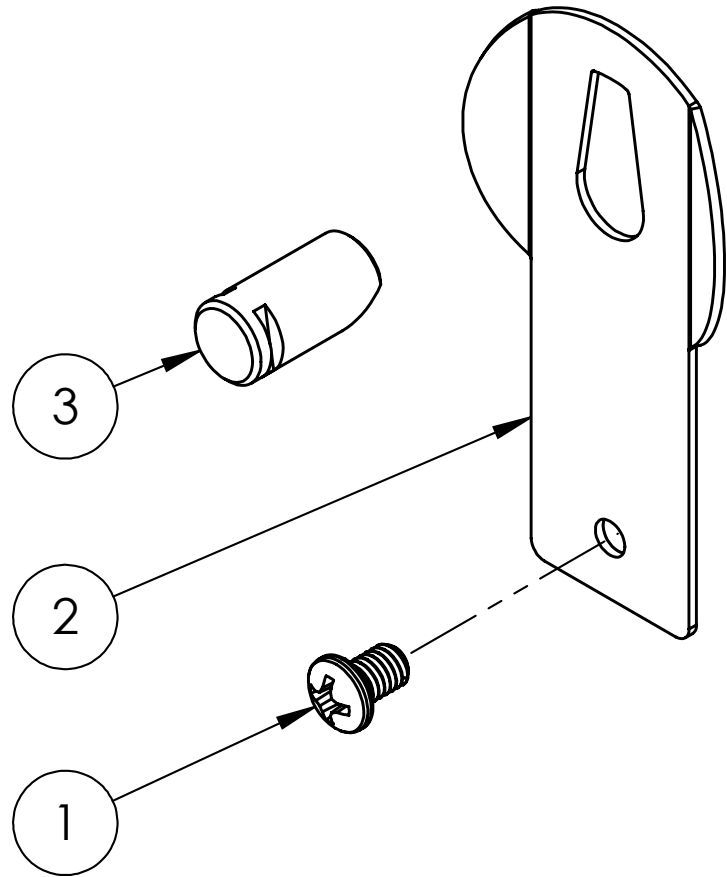




BXW4062

2-Point WD Hitch Spring Lock Assembly Installation Instructions

Tools Required
Phillips Screw Driver



Item No.	Part No.	Description	Qty.
1.....	201-1143	M4-0.7 x 6MM Screw	1
2.....	222-0189.....	Spring Clip	1
3.....	299-0829.....	Round Bar Locking Pin, ZP.....	1

Important:

Use only genuine factory replacement parts on your baseplate. Do **NOT** substitute homemade or non-typical parts. If a bolt is lost or in need of replacement, for your safety and the preservation of your baseplate, be sure to use a replacement bolt of the same grade (In most cases it will be Grade 5, please reference the parts list above). Replacement parts may be ordered through your nearest Blue Ox® Dealer or Distributor. Failing to follow and/or altering these installation instructions in either installation or required equipment will void the manufacturer's warranty. Towing behind a non-motorized vehicle will void the warranty.

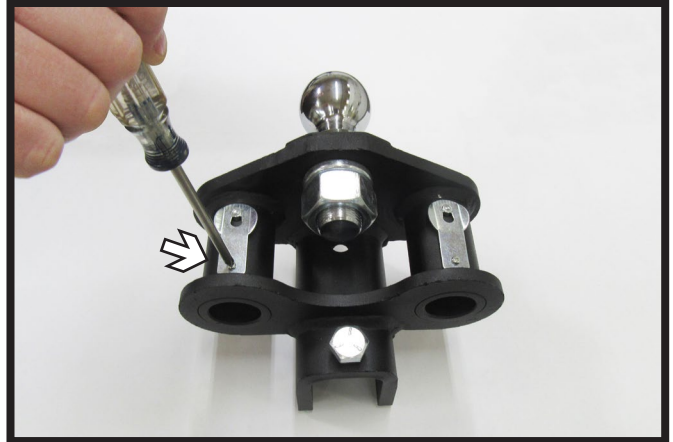
84-0246

2-Point WD Hitch Spring Lock Assembly Installation Instructions

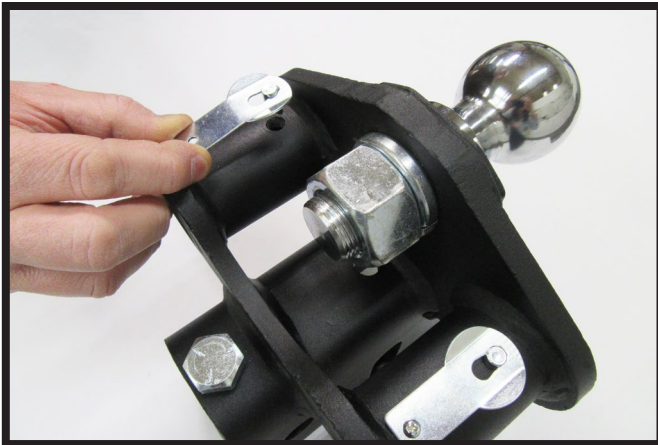
Replacing Spring Lock Assemblies



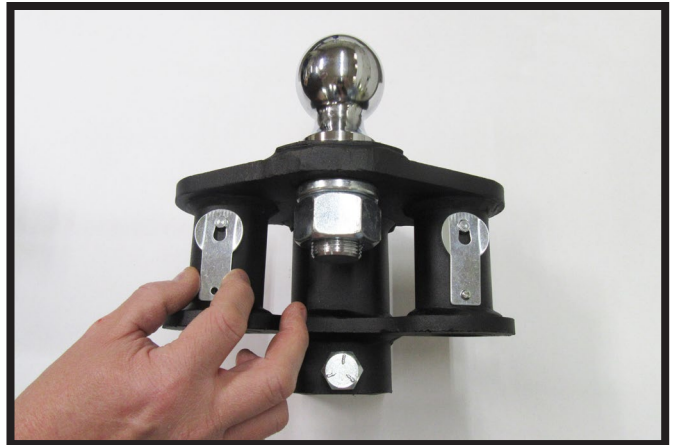
1. Remove hitch head from 2-Point system and set on a solid surface with springs facing upward.



2. Using a Phillips screw driver, remove the screws at the bottom of the spring clip. Do this on both sides of the hitch head.



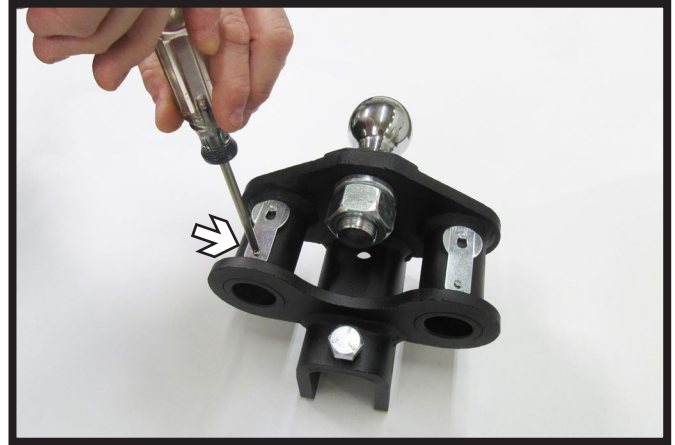
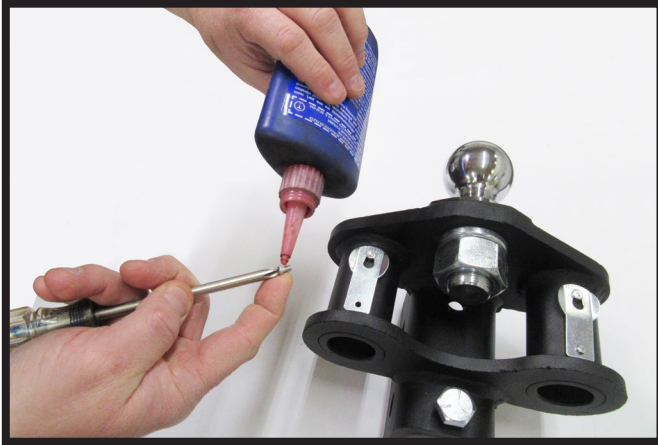
3. Remove spring clip and locking pin from the hitch head. Do this on both sides of the hitch head.



4. Place provided new spring clip and locking pin onto hitch head. Do this on both sides.

84-0246

2-Point WD Hitch Spring Lock Assembly Installation Instructions



5. Apply Loctite® Red to the provided 6MM head screw and install in the bottom hole of the spring clip. Do this on both sides. Reinstall hitch head.

CUSTOMER SERVICE COMMITMENT

Blue Ox® is committed to providing you with exceptional customer care throughout your lifetime with our products. Our team is here to assist you with any questions you may have regarding the performance of your product. Simply call (402) 385-3051 and you can speak with our technical service team.

Additionally, please visit our website to see which rallies our Destination America team will be attending. For a nominal fee, our service technician will service your towing system to ensure it's in proper working condition. Also, as a commitment to our customers, should you visit our factory, you can stay at our full service Blue Ox® campground at no charge along with enjoying a factory tour.

Again, thank you for being our customer and for the confidence you have shown in the performance of our products. It is because of customers like you we enjoy the success we have today.

© 2016 Blue Ox
One Mill Road, Industrial Park
Pender, Nebraska 68047
Phone: (402) 385-3051
Fax: (402) 385-3360
www.blueox.com